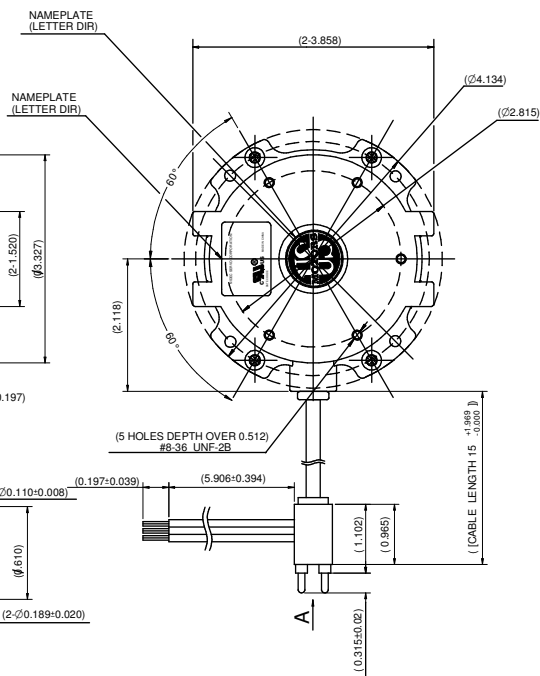
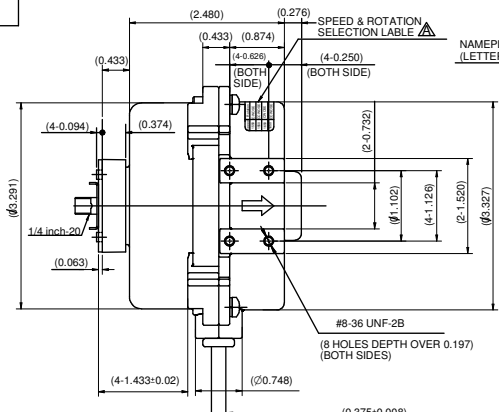
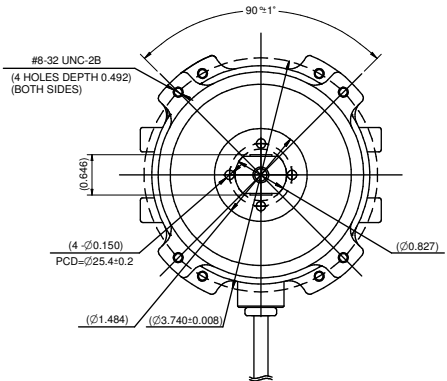


CATALOG EC5414E  
 NIDEC SERVO CORPORATION  
 AC115V-AC230V 1550/1650 RPM  
 0.22-0.75A/0.15-0.45A 4-25W  
 REVERSIBLE -40°C-55°C AMB  
 CLASS A FP8S20U-914  
 60Hz IP67  
 AO EP  
 E469727  
 MADE IN CHINA

**DATE CODE**



CONNECTION GUIDE

PIN No.	COLOR	NAME	LEAD TYPE
1	BLACK	GND	UL2517
2	RED	SPEED	
3	BLUE	ROTATION	

SPEED & ROTATION SELECTION LABEL

speed	Rotation	wire color combinations	
1550	CW	---	---
1550	CC	Blue	Black
1650	CW	Red	---
1650	CC	Red	Blue

SHEET NUMBER	REV	REVISION RECORD FOR:
1 of 1	--	ECO E26842
		CREATED DRAWING.
REVISION DATE		
03-OCT-16		
ISSUED BY	REVIEWED BY	ENGINEER APPROVED
G. ISASSI	B. GAITAN	B. GAITAN

INFORMATION DISCLOSED ON THIS DOCUMENT IS CONSIDERED PROPRIETARY AND SHALL NOT BE REPRODUCED OR DISCLOSED WITHOUT WRITTEN CONSENT OF NIDEC MOTOR CORPORATION

ALL DIMENSIONS ARE FOR REFERENCE ONLY UNLESS TOLERANCE IS GIVEN

<b>NIDEC MOTOR CORPORATION</b>	
TITLE	CODE
ASSEMBLED VIEW	V01
ITEM NO.	SIZE
812828	B