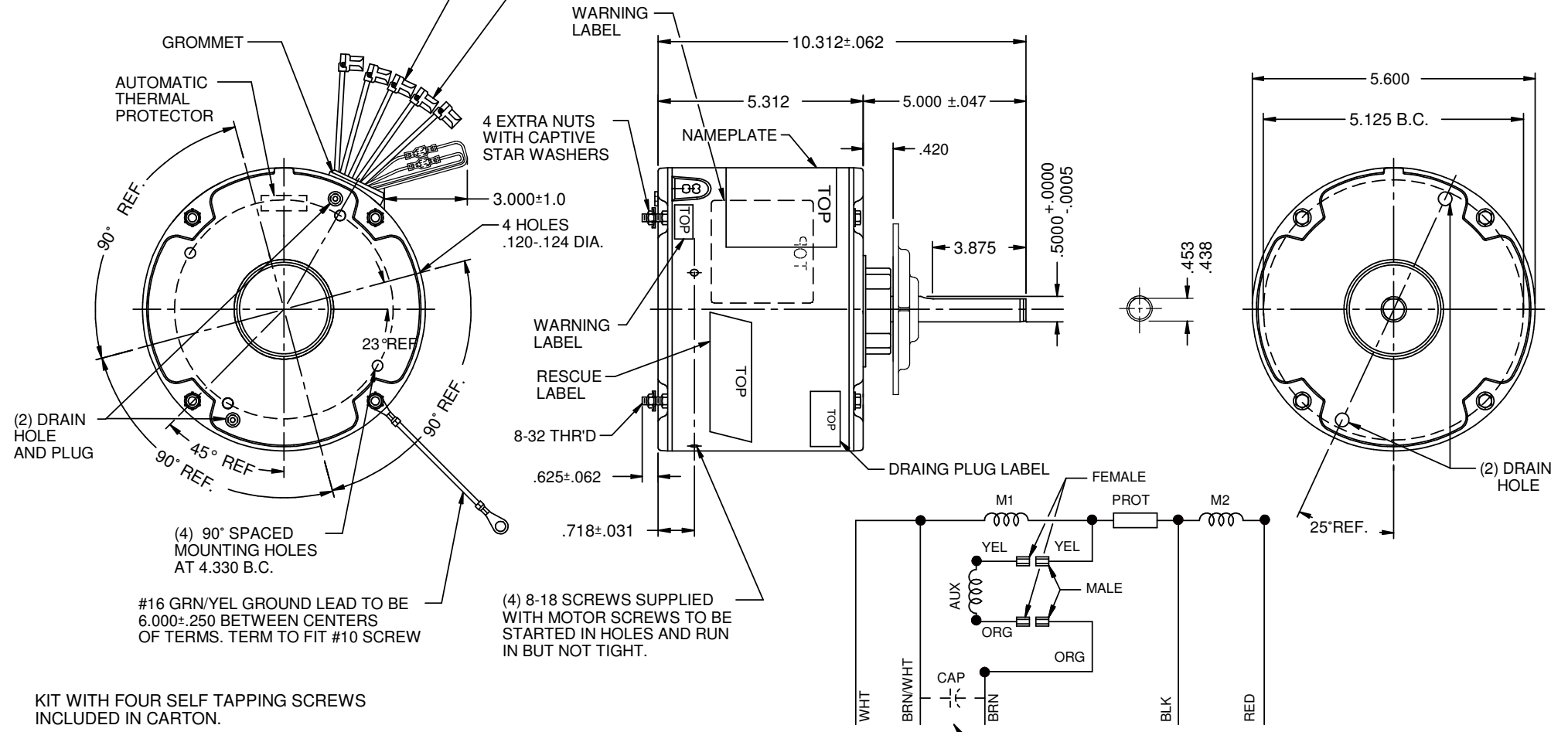


MODEL	REF	CUSTOMER	HP	VOLTS	AMPS	HZ	RPM	ROTATION	CATALOG NO.	DESCRIPTION / REMARKS
K55HXJZF-2373		WHOLESALE-HAC	1/2-1/5	208-230	3.0/1.3	60	1075/2 SPD	CCW LEAD END REV	5465	TEAO, CONDENSER FAN, MULTI-HORSEPOWER MOTOR

5 LEADS, #18, .031 THICK INSUL. TO EXTEND BEYOND MOTOR: BRN=48.000±1.5, BLK=48.000±1.5, RED=48.000±1.5, WHT=48.000±1.5, BRN/WHT=48.000±1.5, WITH 0.250 FLAG TYPE Q.C. TERMS. WITH INS. GRIP.



KIT WITH FOUR SELF TAPPING SCREWS INCLUDED IN CARTON.

(4) 8-18 SCREWS SUPPLIED WITH MOTOR SCREWS TO BE STARTED IN HOLES AND RUN IN BUT NOT TIGHT.

NIDEC MOTOR CORPORATION 02-Feb-16

REFER TO S.E.I.M. 24-1

CREATED DRAWING.	REVISION RECORD FOR: JC 70587
ISSUED BY: G. ISASSI	ENGINEER APPROVED: M. GUZMAN

DIMENSIONS ARE FOR REFERENCE ONLY
 UNLESS TOLERANCE IS SPECIFIED

NIDEC MOTOR CORPORATION			
INFORMATION DISCLOSED ON THIS DOCUMENT IS CONSIDERED PROPRIETARY AND SHALL NOT BE REPRODUCED OR DISCLOSED WITHOUT WRITTEN CONSENT OF NIDEC MOTOR CORPORATION			
TITLE		CODE	ITEM NO.
CUSTOMER DETAIL DRAWING		V02	809480
		REV	SHEET NUMBER
		-	1 OF 3
		REVISION DATE: 18-JAN-16	
		DWG SIZE B	