

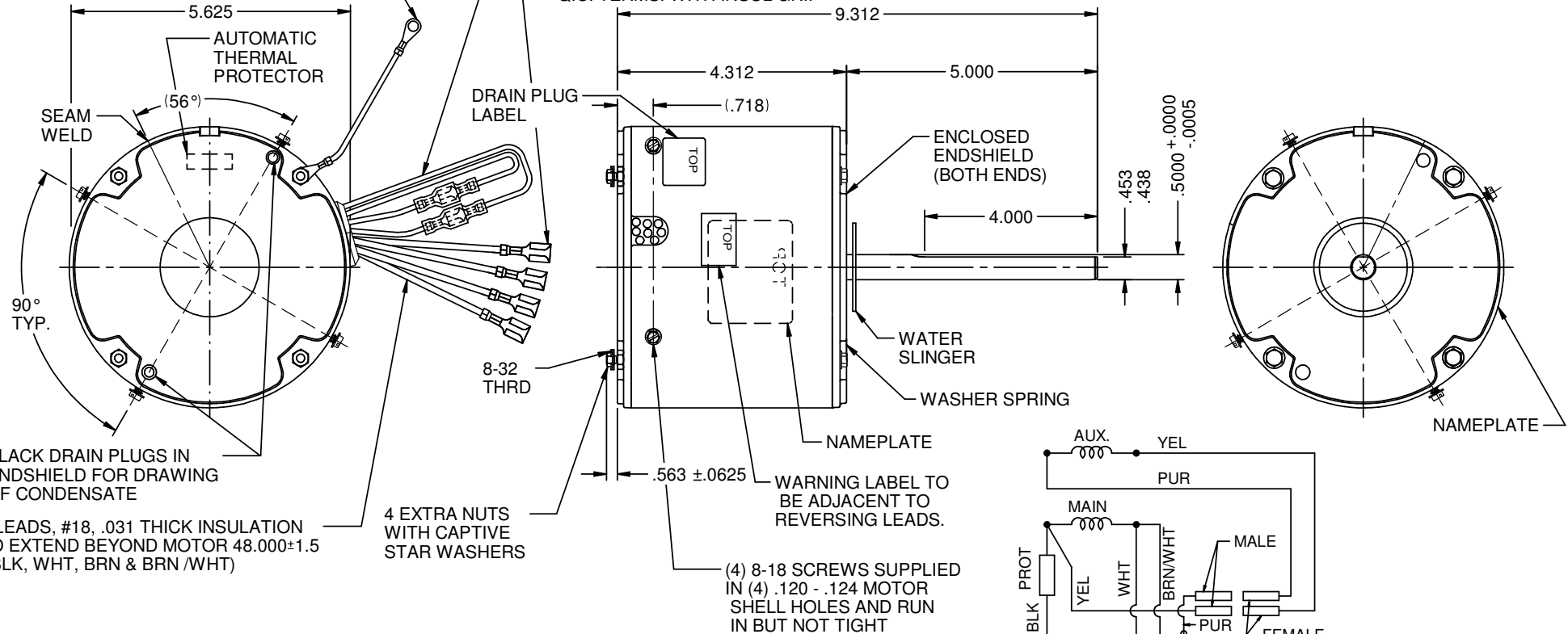
MODEL	REF	CUSTOMER	HP	VOLTS	AMPS	HZ	RPM	ROTATION	CATALOG #	DESCRIPCION / REMARKS
K55HXMLMJ-2478	----	WHOLESALE HAC	1/3-1/6	208-230	2.2	60	1075	CCW LEAD END REV	5430	

#16 GRN/YEL GRN LEAD  
TO BE 10.000±.250  
BETWEEN CENTER OF TERMS,  
TERM. TO FIT #10 SCREW

4 LEADS, #18, .031 THICK INSUL.  
(2) YEL & (2) PUR FOR  
REVERSING ROTATION TO EXTEND  
BEYOND MOTOR 4.000 + 2.000 - 0.000

**NOTE: NO CAPACITOR SUPPLIER CHANGE WITHOUT  
MARKETING APPROVAL\*\***

(1) BRN, (1) BRN/WHT, (1) BLK  
& (1) WHT LEADS TO HAVE  
.250 STRAIGHT TYPE  
Q.C. TERMS. WITH INSUL GRIP



NIDEC MOTOR CORPORATION 03-Aug-16

REFER TO S.E.I.M. 24-1

CREATED DRAWING.	REVISION RECORD FOR: JC 71002
ISSUED BY: C. LUGO	ENGINEER APPROVED: A. LOZANO

DIMENSIONS ARE FOR REFERENCE ONLY  
UNLESS TOLERANCE IS SPECIFIED

**NIDEC MOTOR CORPORATION**

INFORMATION DISCLOSED ON THIS DOCUMENT IS CONSIDERED PROPRIETARY AND SHALL NOT BE REPRODUCED OR DISCLOSED WITHOUT WRITTEN CONSENT OF NIDEC MOTOR CORPORATION

REVISION DATE: 04-AUG-16

TITLE	CODE	ITEM NO.	REV	SHEET NUMBER	DWG SIZE
CUSTOMER DETAIL DRAWING	V02	811794	-	1 OF 3	B