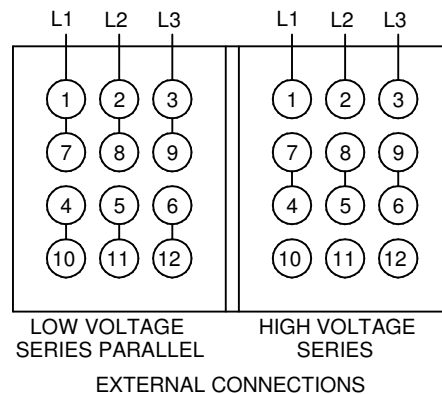


NOTE: GROMMET IN SHELL WHERE LEADS EXIT MOTOR.

12 LEADS #18, .031 THICK INSUL TO EXTEND BEYOND MOTOR SHELL 6.000 +2 -0 BUT TO BE BUNDLED INSIDE BOX FOR SHIPMENT. LEADS TO BE NUMBERED 1 THRU 12 AND SKINNED .750.

NOTE: VOLTS  
 50 HZ=200-220/380-415  
 60 HZ=208-230/460



NIDEC MOTOR CORPORATION 22-Oct-12

MODEL	REF	CUSTOMER	HP	VOLTS	AMPS	HZ	RPM	ROTATION	PROTECTOR
P63SYTDA-3813		STANDARD	3/4	SEE NOTE	3.5/1.7	50/60	1140	REVERSIBLE	KLIXON T.I.
									CUSTOMER PN
									3913

SHEET NUMBER	REV	REVISION RECORD FOR: C6407-00		
1 OF 1	E	UPDATED ENGINEER APPROVED TO B. GAITAN		
REVISION DATE				
22-OCT-12				
ISSUED BY	REVIEWED BY	ENGINEER APPROVED	TITLE	CODE
R. MORALES	M. LARGENT	B. GAITAN	ASSEMBLED VIEW	V01

INFORMATION DISCLOSED ON THIS DOCUMENT IS CONSIDERED PROPRIETARY AND SHALL NOT BE REPRODUCED OR DISCLOSED WITHOUT WRITTEN CONSENT OF NIDEC MOTOR CORPORATION			
ALL DIMENSIONS ARE FOR REFERENCE ONLY UNLESS TOLERANCE IS GIVEN			
TITLE <b>ASSEMBLED VIEW</b>			
CODE <b>V01</b>		ITEM NO. <b>339376</b>	

<b>NIDEC MOTOR CORPORATION</b>	
SIZE <b>A</b>	