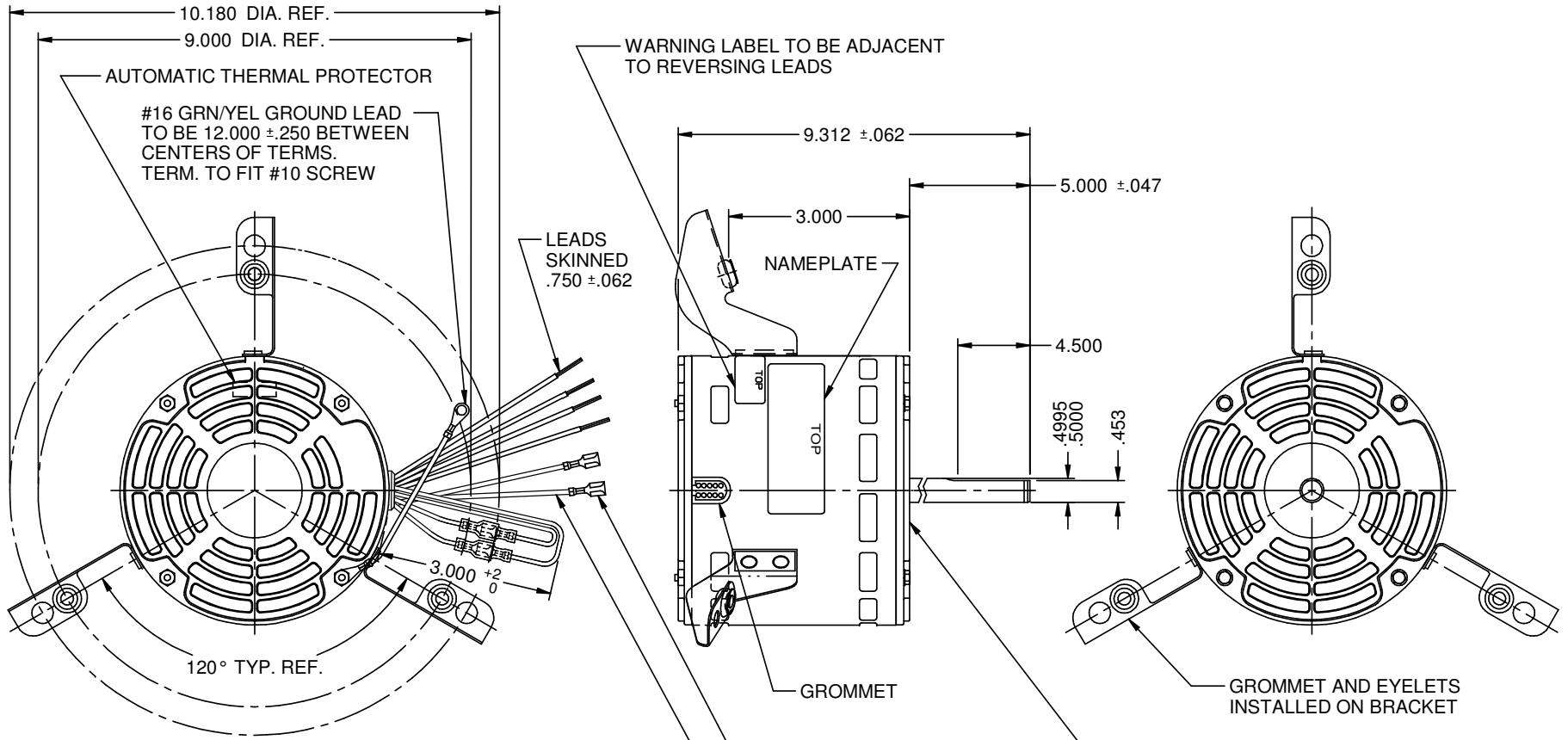


MODEL	REF	CUSTOMER	HP	VOLTS	AMPS	HZ	RPM	ROTATION	CATALOG NO.	DESCRIPTION / REMARKS
K55HXTLW-9491		STANDARD	1/3	208-230	2.4	60	1075/3 SPD	CCW. LEAD END REV	3786	



- NOTE:
- 1.) OUTER BOLT CIRCLE DIA. DIM. IS FOR MANUFACTURING REFERENCE ONLY.
 - 2.) (4) LEADS, #18 .031 THICK INSUL. YELLOW & (2) ORANGE FOR REVERSING ROTATION.

6 LEADS, #18, .031 THICK INSUL. TO EXTEND BEYOND MOTOR:
 WHT (C)= 24.000 +2 -0, BLK (1)= 24.000 +2 -0,
 BLU (2)= 24.000 +2 -0, RED (3)= 24.000 +2 -0,
 BRN= 24.000 +2 -0, BRN/WHT (//)= 24.000 +2 -0
 FIGURES TO BE PRINTED ON LEADS

NIDEC MOTOR CORPORATION 12-Jun-17

REFER TO S.E.I.M. 24-1

REVISION RECORD FOR: ECO E28830		DIMENSIONS ARE FOR REFERENCE ONLY		NIDEC MOTOR CORPORATION INFORMATION DISCLOSED ON THIS DOCUMENT IS CONSIDERED PROPRIETARY AND SHALL NOT BE REPRODUCED OR DISCLOSED WITHOUT WRITTEN CONSENT OF NIDEC MOTOR CORPORATION				REVISION DATE: 09-JUN-17	
CREATED DRAWING:		UNLESS TOLERANCE IS SPECIFIED						TITLE: CUSTOMER DETAIL DRAWING	CODE: V02
ISSUED BY: G. MEDINA	ENGINEER APPROVED: H. NAVARRO								