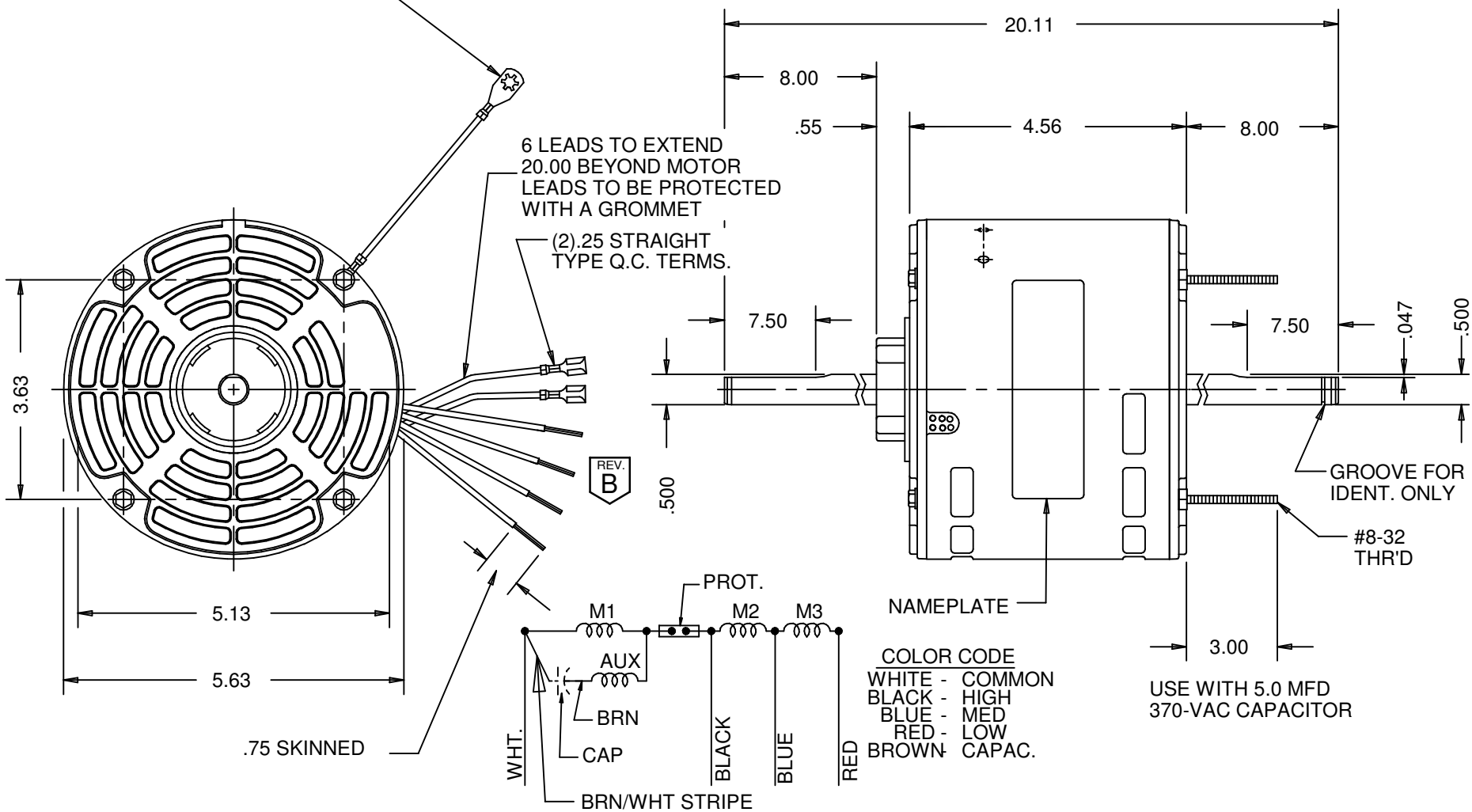


#16 GREEN GROUND LEAD TO BE
6.00 BETWEEN CENTERS OF TERMS.
TERM. TO FIT #10 SCREW



NIDEC MOTOR CORPORATION 10-Jan-12

MODEL	REF	CUSTOMER	HP	VOLTS	AMPS	HZ	RPM	ROTATION	CUSTOMER PN
K55HXSPJ-3134		STANDARD	1/4	230	2.0	60	1075/3SPD	CCW LEAD END	3134

SHEET NUMBER	REV	REVISION RECORD FOR: C4918-00
1 OF 1	B	ADDED SKINNED TO LEADS.
REVISION DATE		
10-JAN-12		

INFORMATION DISCLOSED ON THIS DOCUMENT IS CONSIDERED PROPRIETARY AND SHALL NOT BE REPRODUCED OR DISCLOSED WITHOUT WRITTEN CONSENT OF NIDEC MOTOR CORPORATION

ALL DIMENSIONS ARE FOR REFERENCE ONLY UNLESS TOLERANCE IS GIVEN

NIDEC MOTOR CORPORATION

ISSUED BY	REVIEWED BY	ENGINEER APPROVED
B. ANDRADE	J. I. SALAZAR	J. I. SALAZAR

TITLE
ASSEMBLED VIEW

CODE	ITEM NO.	SIZE
V01	266201	A