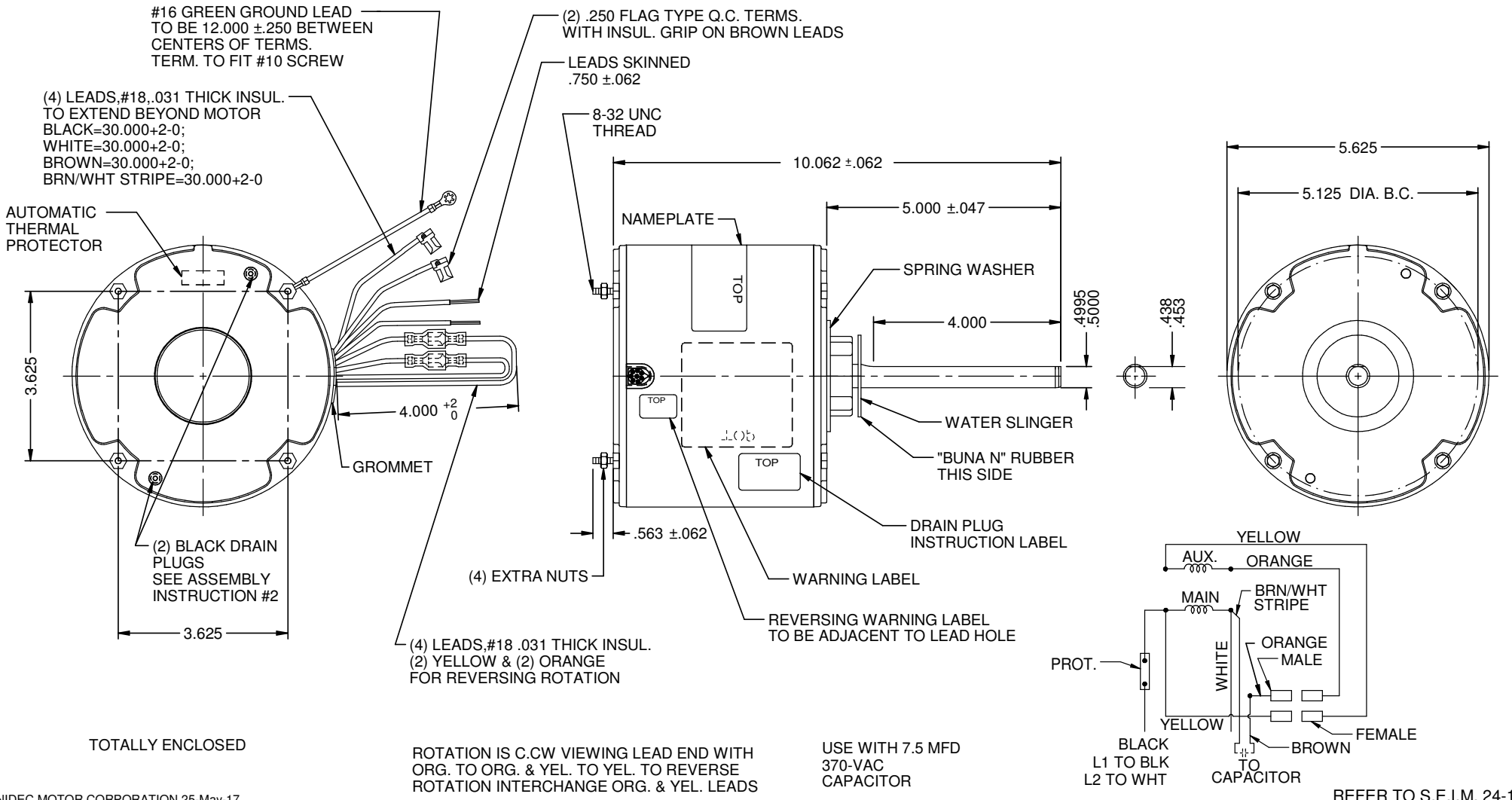


MODEL	REF.	CUSTOMER	HP	VOLTS	AMPS	HZ	RPM	ROTATION	CUSTOMER PART NO.	DESCRIPTION / REMARKS
K55HXMAE-0216	A29826	WHOLESALE HAC	1/3	208-230	2	60	1075	CCW LEAD END REV	1877	



NIDEC MOTOR CORPORATION 25-May-17

CREATED DRAWING.	REVISION RECORD FOR:	ECO E28698
ISSUED BY:	ENGINEER APPROVED:	
G. MEDINA	H. NAVARRO	

DIMENSIONS ARE FOR REFERENCE ONLY

UNLESS TOLERANCE IS SPECIFIED

NIDEC MOTOR CORPORATION			
INFORMATION DISCLOSED ON THIS DOCUMENT IS CONSIDERED PROPRIETARY AND SHALL NOT BE REPRODUCED OR DISCLOSED WITHOUT WRITTEN CONSENT OF NIDEC MOTOR CORPORATION			
TITLE		REVISION DATE:	
CUSTOMER DETAIL DRAWING		17-MAY-17	
CODE	ITEM NO.	REV	SHEET NUMBER
V02	815645	-	1 OF 3
			DWG SIZE
			B