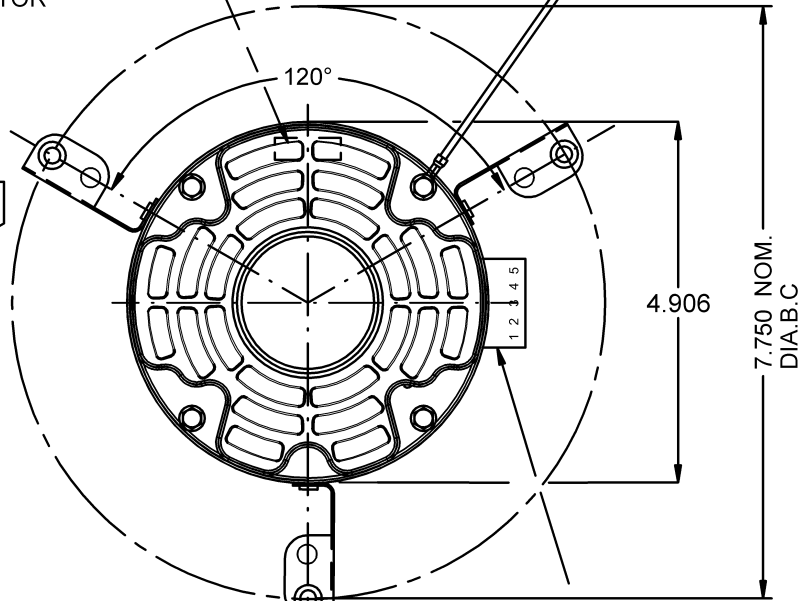


AUTOMATIC THERMAL PROTECTOR

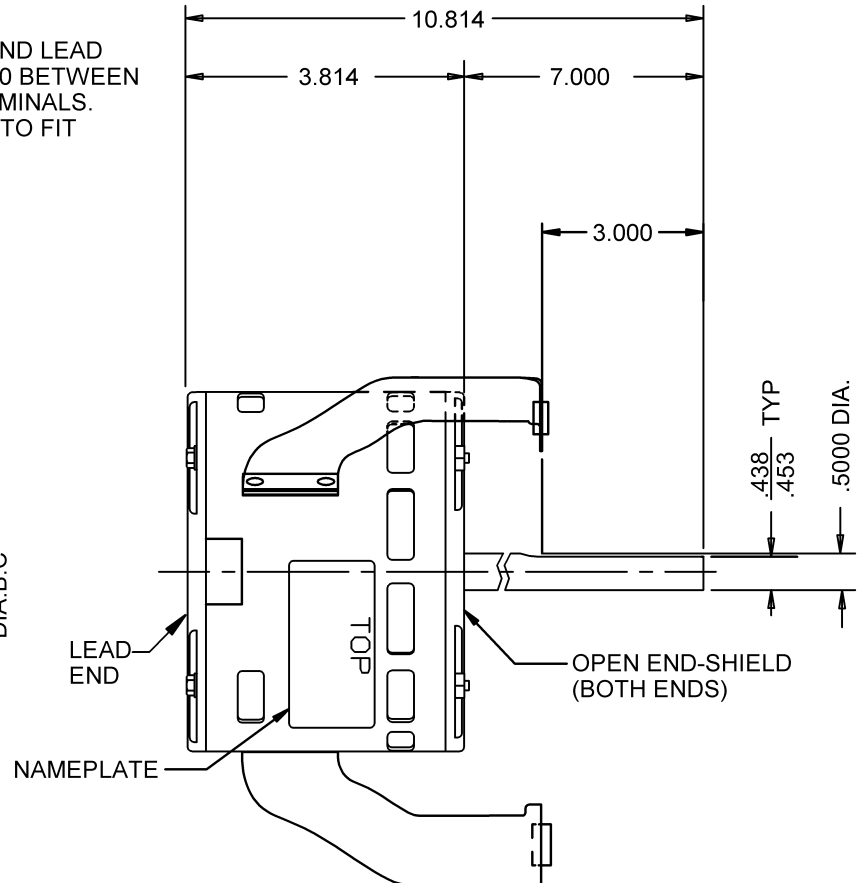
REV. B

GROMMET & EYELET IN EACH BRACKET



#16 GREEN GROUND LEAD TO BE 12.000±1.000 BETWEEN CENTERS OF TERMINALS. SERRATED TERM TO FIT #10 SCREW.

RECEPTACLE WITH (5) .250 MALE Q.C. TERMINALS

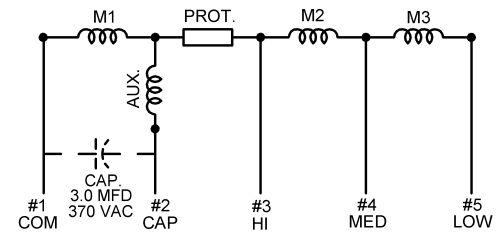


LEAD END

NAMEPLATE

OPEN END-SHIELD (BOTH ENDS)

CAPACITOR ACROSS TERMINALS #1 & #2



NIDEC MOTOR CORPORATION 07-Jun-13

MODEL	REF	CUSTOMER	HP	VOLTS	AMPS	HZ	RPM	ROTATION	CUSTOMER PN	
K48HXCLF-1125	C33907-2	WHOLESALE-HAC	1/30	277	.32	60	1100/3 SPD	C.C.W. LEAD END	1259	
SHEET NUMBER 1 OF 1	REV B	REVISION RECORD FOR: C7771-00				INFORMATION DISCLOSED ON THIS DOCUMENT IS CONSIDERED PROPRIETARY AND SHALL NOT BE REPRODUCED OR DISCLOSED WITHOUT WRITTEN CONSENT OF NIDEC MOTOR CORPORATION				<b>NIDEC MOTOR CORPORATION</b>
REVISION DATE		CHANGED VIEW OF FLEXIBLE BRACKET.								
07-JUN-13										
ISSUED BY A. SANCHEZ			REVIEWED BY N. CALVIN		ENGINEER APPROVED N. CALVIN		ALL DIMENSIONS ARE FOR REFERENCE ONLY UNLESS TOLERANCE IS GIVEN TITLE: ASSEMBLED VIEW CODE: V01 ITEM NO.: 793350 SIZE: A			