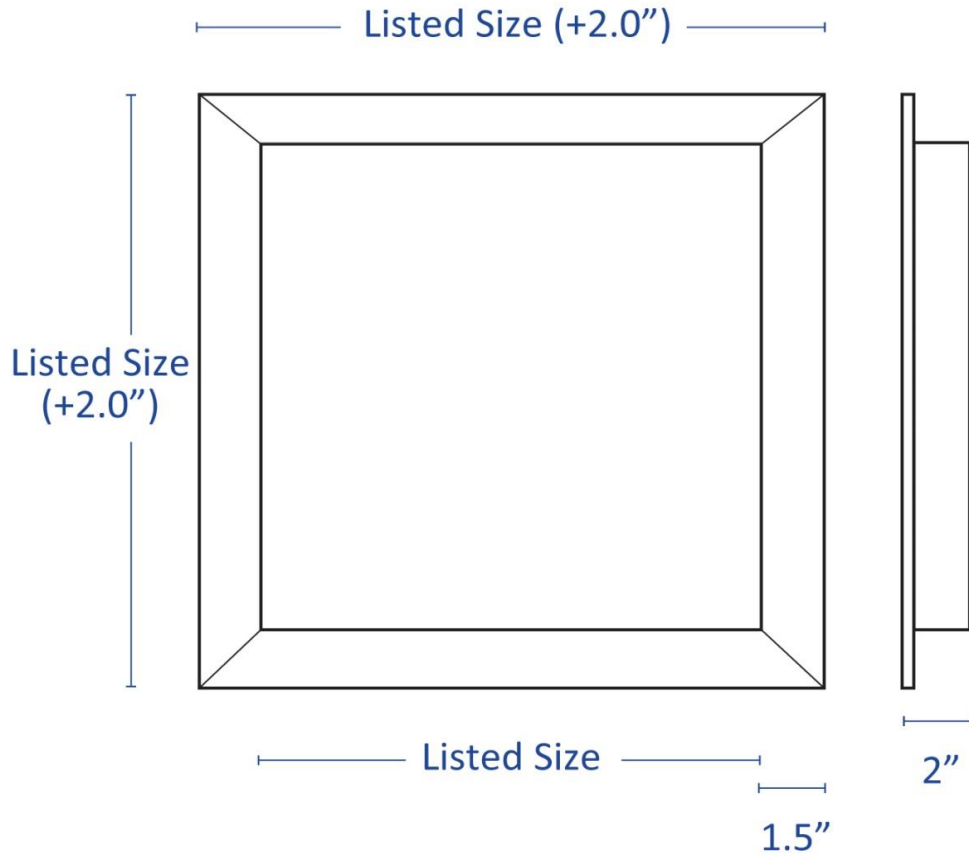


Submitted by: \_\_\_\_\_

Date: \_\_\_\_\_

Aluminum Surface Mount Frame

**Model:**



Project Name: \_\_\_\_\_

Architect: \_\_\_\_\_

Project Location: \_\_\_\_\_

Engineer: \_\_\_\_\_

Contractor: \_\_\_\_\_