

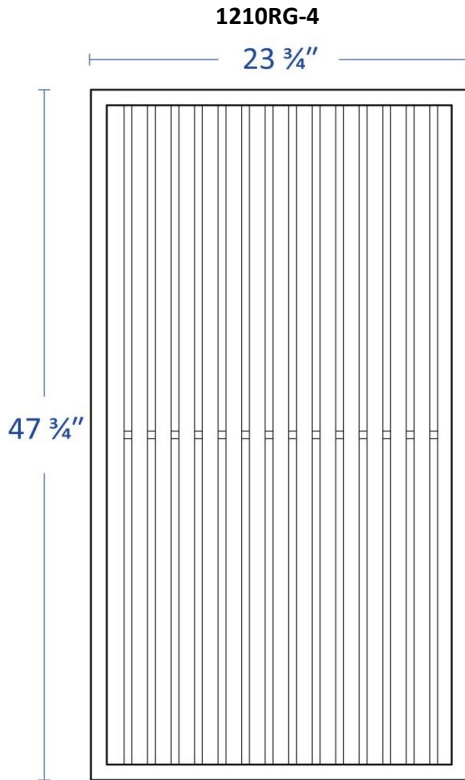
Submitted by: _____

Date: _____

Fixed Bar Panel

Return Air Grille

Model:



Available Options

- Aluminum T-bar panel
- Steel T-bar panel
- Molded R6 Insulation

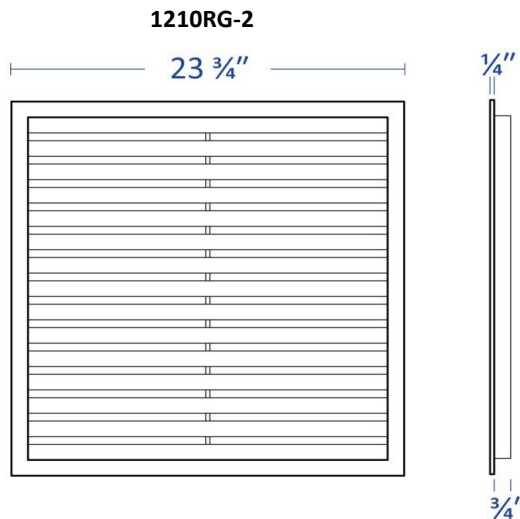
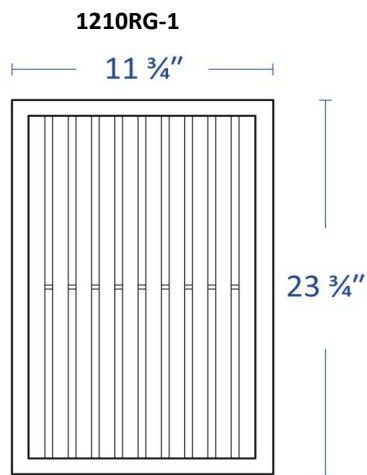
Material: Steel or Aluminum

Face: Fixed Bar

Model Size:

Model Features

- Fixed Bar Panel
- Durable white powder-coat



Project Name: _____

Architect: _____

Project Location: _____

Engineer: _____

Contractor: _____