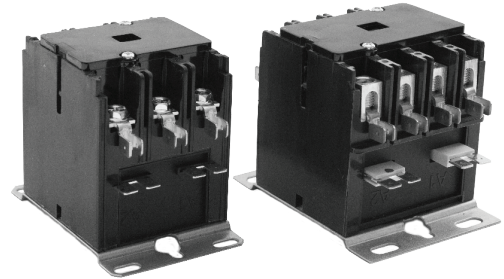


- 3 Pole NO
- 4 Pole NO
- Silver Cadmium Oxide Contacts
- UL 508 File No. E227250
Class NLDX2, NLDX8
- Semko/CE File No. EN 60947-4-1:2001
- CSA File No. 221260 (1456104)
Class 3211 04 / 3211 84
- Optional Auxiliary Switches located on page 1



PARTIAL LISTING OF AVAILABLE 3 & 4 POLE CONTACTORS

FLA Rating	Number of Poles	24V Coil	120V Coil	208/240V Coil	277V Coil
20 FLA	3	HCC-3XQ00CY	HCC-3XT00CY	HCC-3XU00CY	HCC-3XV00CY
25 FLA	3	HCC-3XQ01CY	HCC-3XT01CY	HCC-3XU01CY	HCC-3XV01CY
30 FLA	3	HCC-3XQ02CY	HCC-3XT02CY	HCC-3XU02CY	HCC-3XV02CY
	4	HCC-4XQ02CY	HCC-4XT02CY	HCC-4XU02CY	HCC-4XV02CY
40 FLA	3	HCC-3XQ04CG	HCC-3XT04CG	HCC-3XU04CG	HCC-3XV04CG
	4	HCC-4XQ04CG	HCC-4XT04CG	HCC-4XU04CG	HCC-4XV04CG

INITIAL DIELECTRIC STRENGTH	
Between Contacts & Coils:	2,200 VAC
Between Poles:	2,200 VAC
Between Open Contacts:	2,200 VAC
ARC COVER	
Standard	
INSULATION SYSTEM	
130°C Class B	
TEMPERATURE RANGE	
-40° C to + 65° C	
-40° F to + 150° F	
UNIT WEIGHT	
3 Pole	1 lb
4 Pole	1.25 lbs

POWER POLE TERMINATIONS	
#10-32 screw or box lug	
WIRE SIZE	
#10-32 screw	16-8*
Box lug	14-4
*must use ring terminal	
RECOMMENDED TIGHTENING TORQUE	
#10-32 screw	22 in. lbs
Box lug	25 in. lbs
QUICK CONNECTS	
Coil terminals	Dual: .250" QC
	or #6-32 screw/.250" QC
Power terminals	Dual .250" QC

Coil Rating

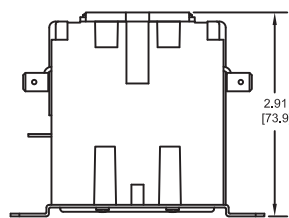
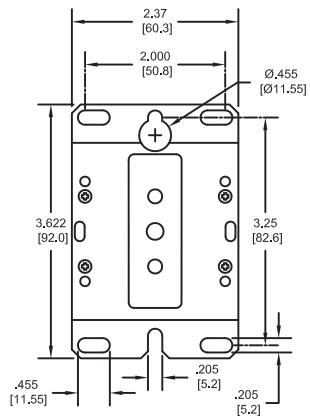
3 Pole Contactors

4 Pole Contactors

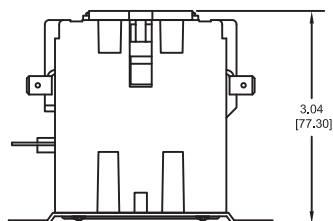
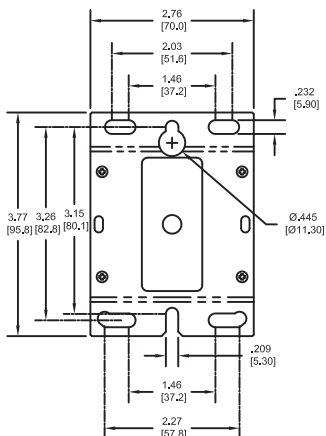
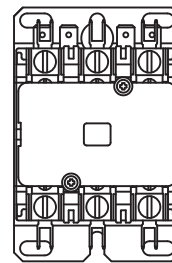
	24	120	208/240	277	24	120	208/240	277
Nominal Coil Resistance Ohms	7	180	720	900	3.5	126	470	640
Maximum Pick Up Voltage	18	88	177	221	18	88	177	221
Minimum Drop Out Voltage	6-15	20-70	40-140	50-165	6-15	20-70	40-140	50-165
Nominal Inrush VA @ 50 Hz	54	55	57	56	103	81	90	87
Nominal Inrush VA @ 60 Hz	50	60	53	52	95	75	84	80
Nominal Sealed VA @ 50 Hz	7	7	9	10	15	10	12	11
Nominal Sealed vA @ 60 Hz	5.5	6	8	9	11	8	9	9
Maximum Coil Voltage	30	132	264	300	30	132	264	300

ELECTRICAL RATING

Full Load Amps	Resistive Amps @ 600 VAC	Locked Rotor Amps @ 240/277 VAC	Locked Rotor Amps @ 480 VAC	Locked Rotor Amps @ 600 VAC	Maximum Horsepower		
					Voltage	Single Phase	Three Phase
3 Pole Contactors							
20	30	120	100	80	120	1.5	-
					240/277	3	7.5
					480/600	-	7.5
25	35	150	125	100	120	2	-
					240/277	5	10
					480	-	15
					600	-	20
30	40	180	150	120	120	2	-
					240/277	5	10
					480	-	15
40	50	240	200	160	120	3	-
					240/277	7.5	10
					480	-	20
600	-	-	-	-	600	-	25
					4 Pole Contactors		
					30	40	180
240/277	5	10					
40	50	240	200	160	120	3	-
					240/277	7.5	10
600	-	-	-	-	480	-	20



3 Pole Dimensions (inches[mm])



4 Pole Dimensions (inches[mm])

