

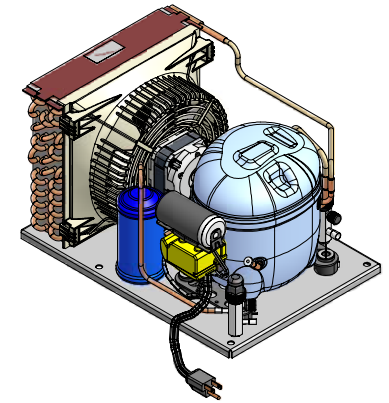
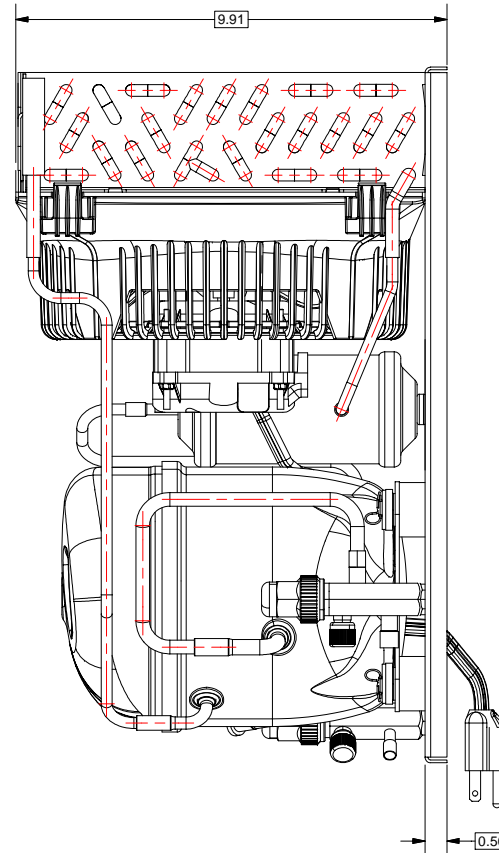
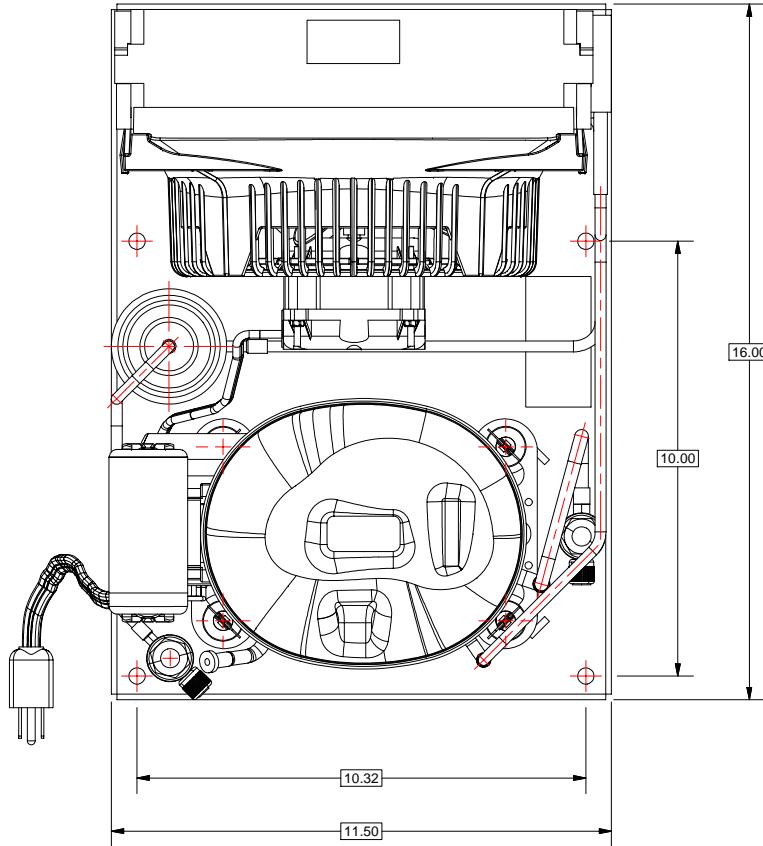
4

3

2


1

REVISION HISTORY			
REV	DESCRIPTION	DATE	APPROVED
PROTO	EC41594	10/17/2011	gjani
REL.	EC43970	3/5/2012	gjani



NOTES:

- 1.- COPPER TO COPPER JOINTS USE SILFOS BRAZE. STEEL TO STEEL OR STEEL TO COPPER JOINTS USE SILVER BRAZE
- 2.- ASSEMBLE ELECTRICAL PARTS AS PER DRAWING A
- 3.- FAN CORD EXCESS TO BE FASTENED WITH 70887-1 WIRE TIE

DESCRIPTION		HERMETIC CONDENSING UNIT	
THIRD ANGLE	MATERIAL	DIMENSION	 DWG NO. SU1896-G102
DESIGN DATE	10/17/2011	DWN. gjani	
LAST REVIEW	3/5/2012	CHK. gjani	
ARCHIVE			

4

3

2

1

4

3

2

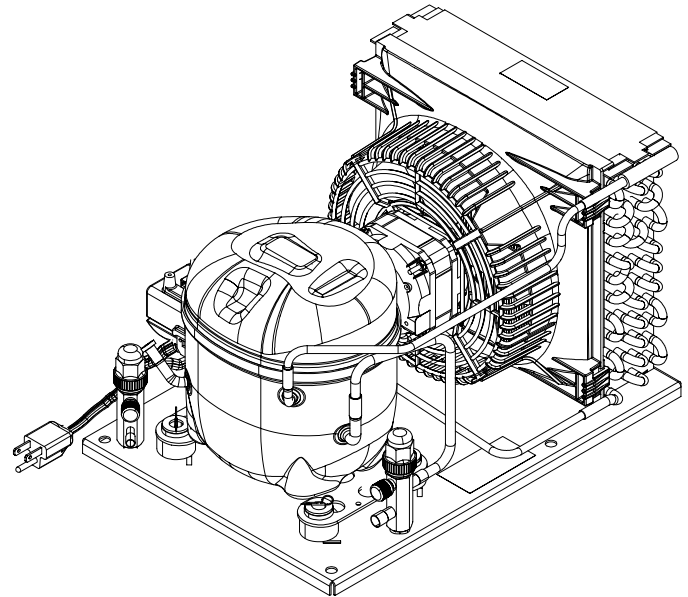
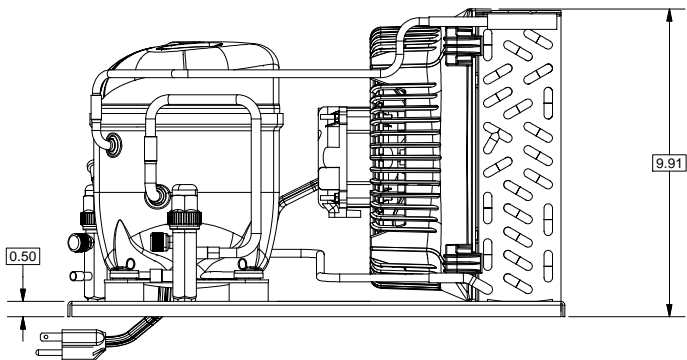
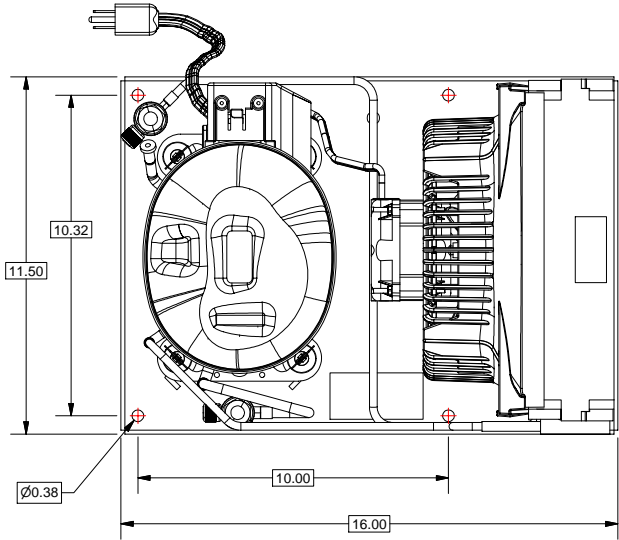
1

B

B

A

A



4

3

2

1