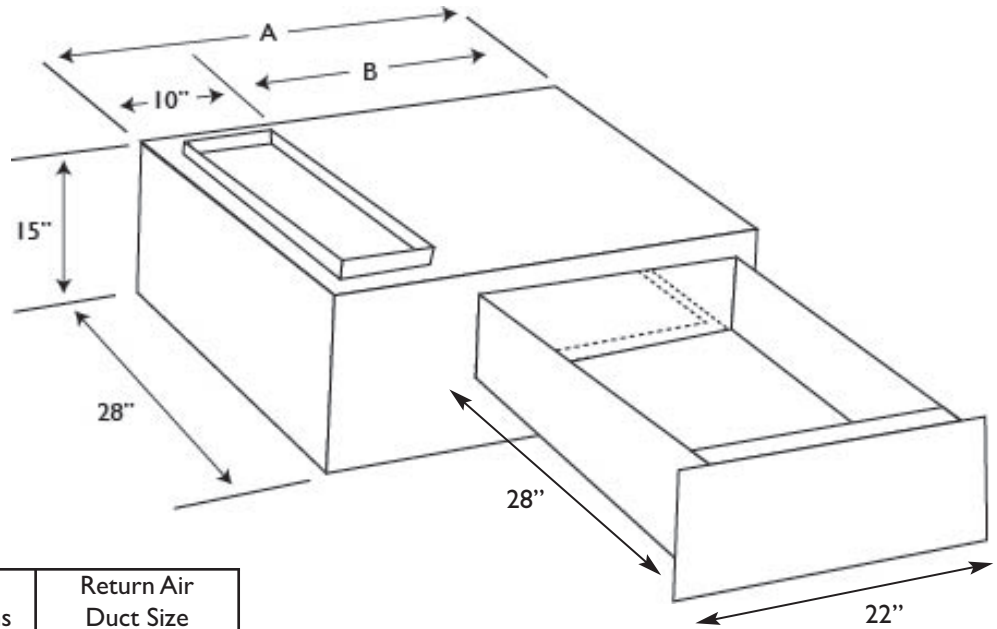




SUBMITTAL DRAWING

RETURN AIR SUPPORT BOX with FILTER RACK (MODEL NO: SBF)



A Dimensions	B Dimensions	Return Air Duct Size
30"	22"	8 x 24
32"	22"	8 x 24
36"	26"	10 x 25
38"	28"	10 x 25

NOTES

- Material: Hot Dipped Galvanized Steel per ASTM A653 CS Type B
- Also available in 40" (A Dimension) with adjustable duct return to accommodate 12x26 to 10x25
- Accepts 1," 4," and 5" filters (20 x 25)

JOB NAME: _____
 LOCATION: _____
 ARCHITECT: _____
 ENGINEER: _____
 CONTRACTOR: _____

DATE: 05/3/12

SW-SBFIN

SD-0018

Return Air Support Box with Filter Rack
 MODEL NO: SBF