



**SOUTHWARK METAL MANUFACTURING COMPANY**

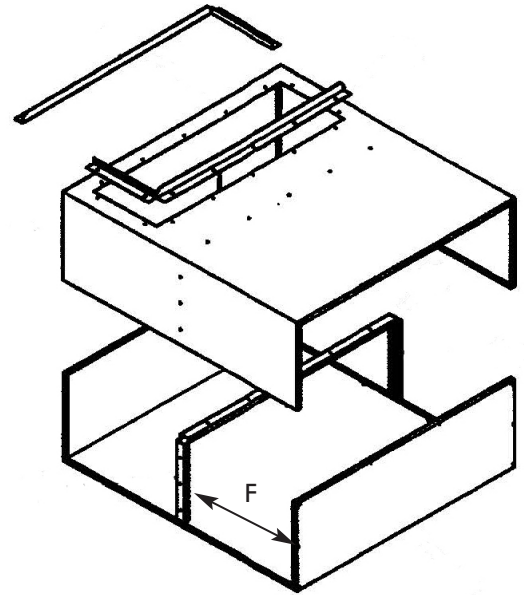
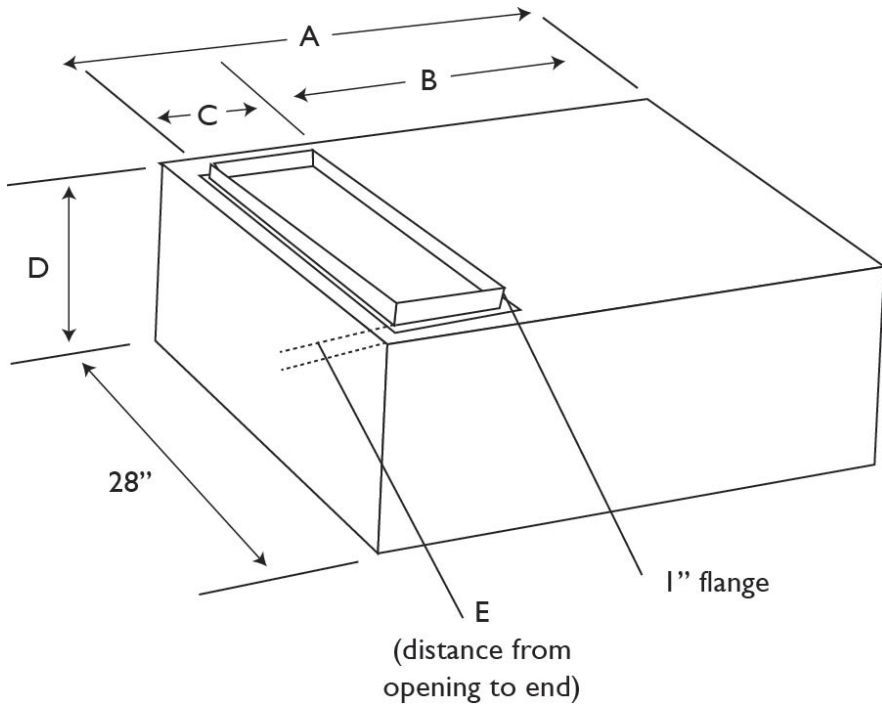
Philadelphia, PA • Greenville, SC • Indianapolis, IN • Southaven, MS • Fremont, NE • Caldwell, ID

Corporate Headquarters: 2800 Red Lion Road, Philadelphia PA 19114

tel: (800) 523-1052 • fax (800) 722-2076 • www.southwarkmetal.com

**SUBMITTAL DRAWING**

**RETURN AIR SUPPORT BOX  
(MODEL NO: SB)**



A	B	C	D	E	F	Return Air Duct Size
30"	20"	8 <sup>1</sup> / <sub>16</sub> "	10"	2"	15"	8 x 24
38"	26"	10"	15 <sup>3</sup> / <sub>8</sub> "	1 <sup>1</sup> / <sub>2</sub> "	21"	10 x 25

**NOTES**

- Material: Hot Dipped Galvanized Steel per ASTM A653 CS Type B
- 1" flange
- 28" box width

JOB NAME: \_\_\_\_\_  
 LOCATION: \_\_\_\_\_  
 ARCHITECT: \_\_\_\_\_  
 ENGINEER: \_\_\_\_\_  
 CONTRACTOR: \_\_\_\_\_

DATE: 05/8/13

SW-SBIN

SD-0080

Return Air Support Box  
 MODEL NO: SB