



SOUTHWARK METAL MANUFACTURING COMPANY

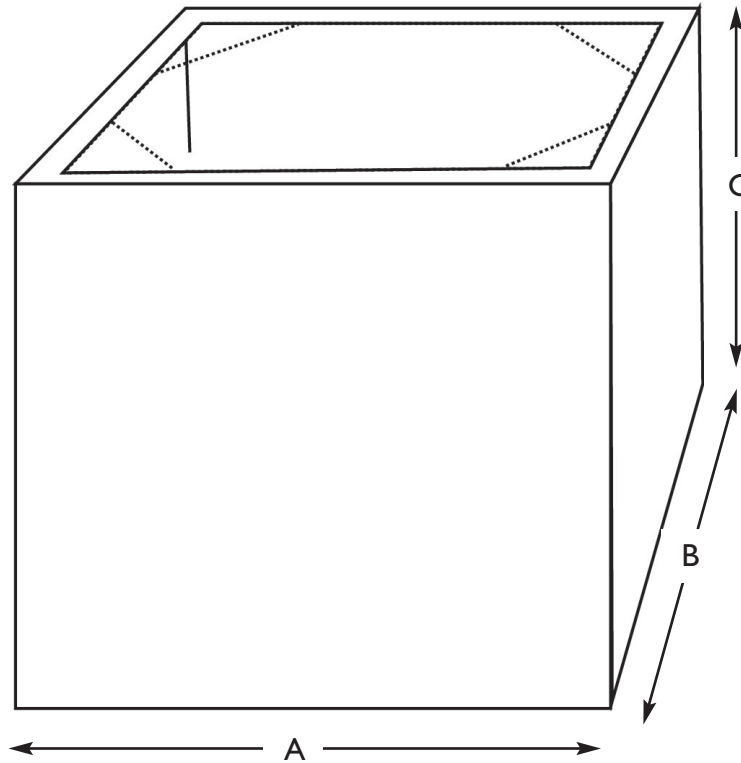
Philadelphia, PA • Greenville, SC • Indianapolis, IN • Southaven, MS • Fremont, NE • Caldwell, ID

Corporate Headquarters: 2800 Red Lion Road, Philadelphia PA 19114

tel: (800) 523-1052 • fax (800) 722-2076 • www.southwarkmetal.com

SUBMITTAL DRAWING

**RETURN AIR BOX
(MODEL NO: RAB)**



NOTES

- Material: Hot Dipped Galvanized Steel per ASTM A653 CS Type B
- 26 Ga gauge standard; 24 Ga optional
- 1" turned in flange on all sides;
- Corner support gussets and all sides crossbroke for added strength

- Available in sizes 12x12x12 through 28x28x24; fabrication of box dimensions AxBxC per order
- Insulation available upon request; 1/2", 1", 1 1/2" and 2" thicknesses installed with adhesive and stick pins

JOB NAME: _____
 LOCATION: _____
 ARCHITECT: _____
 ENGINEER: _____
 CONTRACTOR: _____

DATE: 09/5/17

SW-RABSC

SD-0625

Return Air Box
MODEL NO: RAB