



SOUTHWARK METAL MANUFACTURING COMPANY

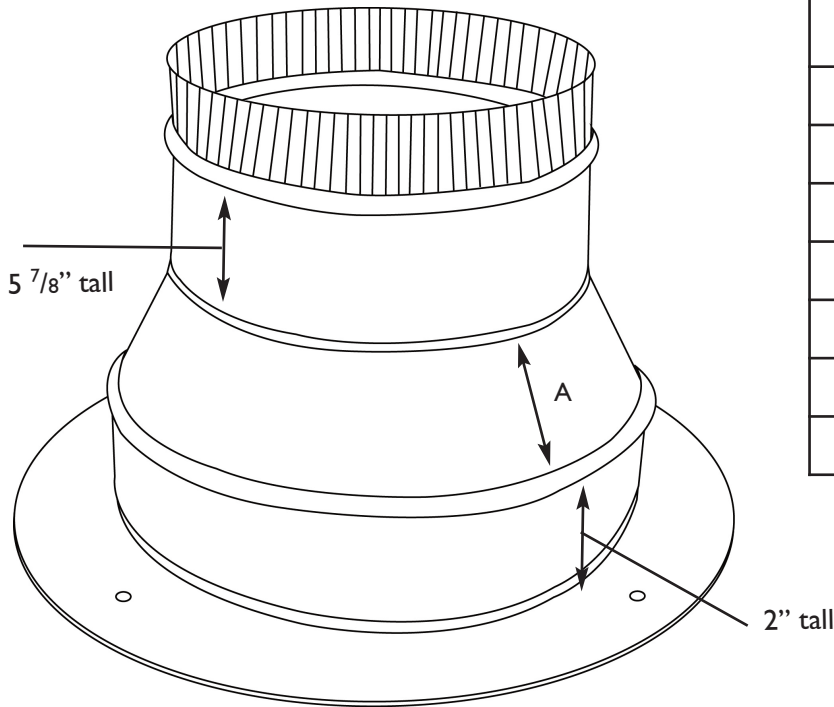
Philadelphia, PA • Greenville, SC • Indianapolis, IN • Southaven, MS • Fremont, NE • Caldwell, ID

Corporate Headquarters: 2800 Red Lion Road, Philadelphia PA 19114

tel: (800) 523-1052 • fax (800) 722-2076 • www.southwarkmetal.com

SUBMITTAL DRAWING

**AIR-TITE BELLMOUTH TAKEOFF
(MODEL NO:ATTBM)**



Collar Diameter	Bellmouth Diameter	A	Overall height
6"	8"	2"	9 ³ / ₄ "
7"	9"	2"	9 ³ / ₄ "
8"	10"	2"	9 ¹ / ₂ "
10"	12"	2"	9 ⁵ / ₈ "
12"	14"	1 ¹ / ₂ "	9 ¹⁵ / ₁₆ "
14"	16"	2"	9 ⁵ / ₈ "
16"	18"	5 ¹ / ₂ "	13 ⁵ / ₈ "

NOTES

- Material: Hot Dipped Galvanized Steel per ASTM A653 CS Type B
- 26 gauge
- 1 1/2" crimp length
- Collar height: 5 7/8"
- Gasket 1 1/2" wide and 1/8" thick; made with high tack adhesive-coated neoprene foam
- 4 pre-drilled screw holes

JOB NAME: _____
 LOCATION: _____
 ARCHITECT: _____
 ENGINEER: _____
 CONTRACTOR: _____

DATE: 2/5/13 SW-ATTBMGVL SD-0128

Air-Tite Bellmouth Takeoff
 MODEL NO: ATTBM