



SOUTHWARK METAL MANUFACTURING COMPANY

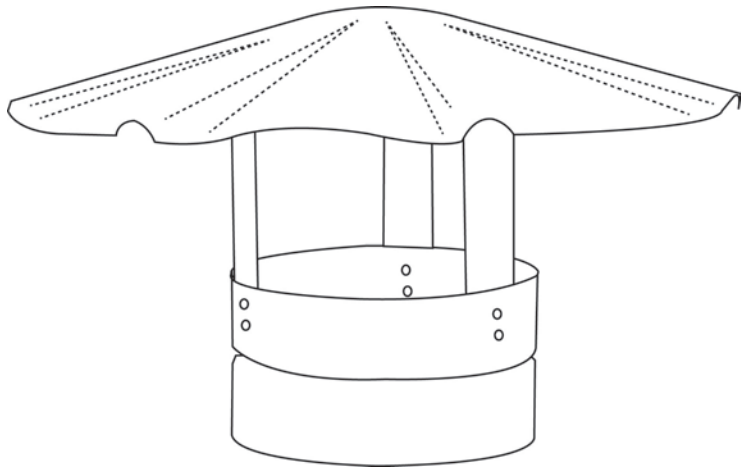
Philadelphia, PA • Greenville, SC • Indianapolis, IN • Southaven, MS • Fremont, NE • Caldwell, ID

Corporate Headquarters: 2800 Red Lion Road, Philadelphia PA 19114

tel: (800) 523-1052 • fax (800) 722-2076 • www.southwarkmetal.com

SUBMITTAL DRAWING

CHIMNEY CAP (MODEL NO: 99)



Collar Diameter	Overall Height
3"	6 1/2"
4"	6 1/2"
5"	8 1/2"
6"	8 1/2"
7"	10 1/2"
8"	10 1/2"
9"	10 1/2"
10"	11"
12"	17"

NOTES

- Material: Hot Dipped Galvanized Steel per ASTM A653 CS Type B
- 28 gauge
- Collar diameter ranges from 3" to 12"
- No anti-down draft effect; for weather protection only

JOB NAME: _____
 LOCATION: _____
 ARCHITECT: _____
 ENGINEER: _____
 CONTRACTOR: _____

DATE: 06/20/12

SW-CCPHL

SD-0023

Chimney Cap
MODEL NO: 99