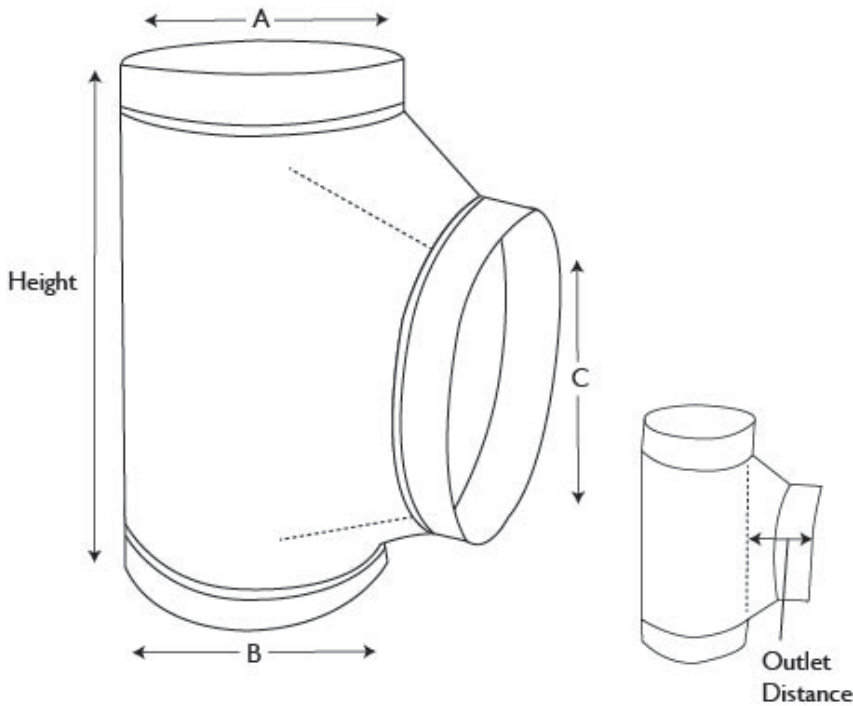




SUBMITTAL DRAWING

FREE FLOW TEE (MODEL NO: 1060)



Note: Gauge availability dependent on outlet diameter size

Diameter	30 Ga	28 Ga	26 Ga	24 Ga
3"	x		x	
4"	x	x	x	
5"	x		x	x
6"	x	x	x	x
7"	x		x	x
8"	x		x	x
9"	x		x	x
10"	x		x	x
12"	x		x	x
14"	x		x	x
16"			x	x
18"			x	x

NOTES

- Material: Hot Dipped Galvanized Steel per ASTM A653 CS Type B
- All collars (A, B, and C) are equal in diameter size
- Plain style collars
- Gauges vary depending on outlet diameter size (see table)

- Height varies from 14" to 30"
- Outlet distance varies from 5" to 6.5"

JOB NAME: _____
 LOCATION: _____
 ARCHITECT: _____
 ENGINEER: _____
 CONTRACTOR: _____

DATE: 03/07/12

SW-FFTNE

SD-0003

Free Flow Tee
 MODEL NO: 1060
 Free Flow Tee with 90° Connection