

PRODUCT NUMBER:

120 / 121

DESCRIPTION:

WALLSTACK VERTICAL ELBOW / ANGLE

PRODUCT DATA SHEET

DATE:
11/15/11

MODEL VARIATIONS

120 = 90° ELBOW

121 = 45° ANGLE

PRODUCTION DATA

MATERIAL: FABRICATED FROM HOT DIPPED GALVANIZED STEEL SHEETS OF LOCK FORMING QUALITY PER ASTM-A653 CS TYPE B.

GAUGES: ALL SIZES ARE 26GA

PRODUCT CHARACTERISTICS

RAW EDGE CONNECTION.

SNAP LOCK CONNECTION.

PRODUCT SIZE INFORMATION

STANDARD SIZES:

10 X 2¼

10 X 3¼

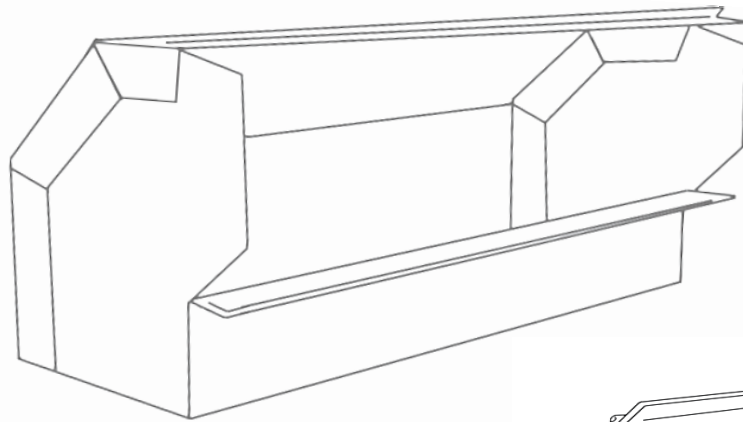
12 X 2¼

12 X 3¼

14 X 2¼

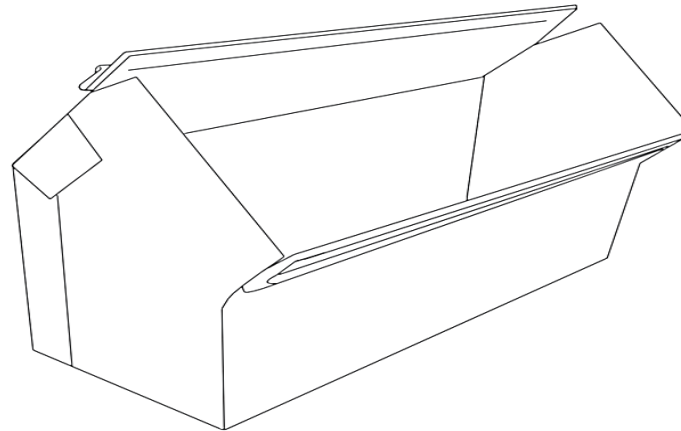
14 X 3¼

120



90°

121



45°

NOTES:

*Snap-Rite
Manufacturing, Inc.*

232 N Ida St (PO Box 577)

Coats, NC 27521

PH: 910-897-4080

FX: 910-897-0355

6285 Peterson Road

Lake Park, GA 31636

PH: 229-559-3772

FX: 229-559-9965