



CEV-30 • CEV-40 Post-mix Countertop Electric Dispensers



Servend's post-mix countertop electric beverage dispensers offer maximum beverage cooling and customer-satisfying quality. The CEV series is designed for quick, easy installation with front and top access to all major components.

Standard Features

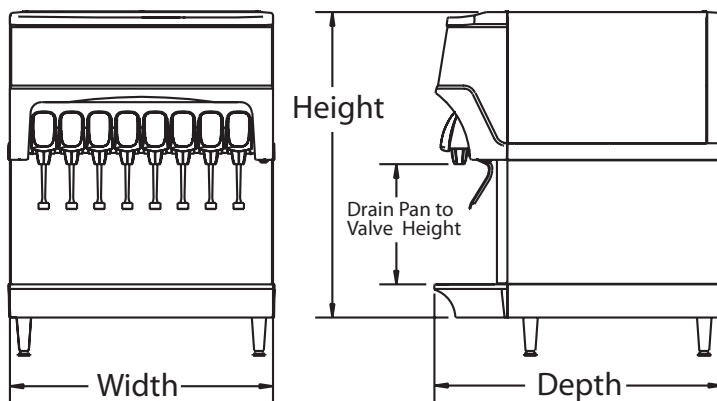
- Enhanced design aesthetics with modular assembly.
- Angled wrap-around illuminated merchandiser.
- Easy to service with quick access to air filter for cleaning and side by side placement of split carbonation and refrigeration decks. Easy slide on/off drain pan.
- Flex manifold adds carb/non-carb flexibility.
- New technology includes plug and play consolidated circuit board with protection for pump and compressor.
- 360° graphics enhance aesthetics and increase promotion of fountain beverages.



ISO 9001:2000
Quality System
Certified

Specifications

	CEV-30 with internal carbonation system	CEV-40 with internal carbonation system
Standard Features	Key switch, 3/8" (0.95 cm) barbed fittings, Flomatic 424 beverage valves, 4" (10.16 cm) adjustable legs, drain kits and integral cold carbonator.	
Dimensions	20.50" W x 28.16" D x 29.88" H 52.07 W x 71.54 D x 75.90 H (cm)	25.75" W x 28.16" D x 29.88" H 65.41 W x 71.54 D x 75.90 H (cm)
Cup Clearance	11.77" (29.88 cm) height from grid to valve nozzle	
Exterior Body	Replaceable stainless steel panels	
Exterior Bonnet	Replaceable injection molded ABS plastic	
Water Tank	Double wall rotocast, foam-filled polyethylene	
Manifold	6 valve: (1) fixed as carb only (5) carb or noncarb manifold	8 valve: (3) fixed as carb only (5) carb or noncarb manifold
Valves	6 Flomatic post-mix valves	8 Flomatic post-mix valves
Electrical Requirements	120V/60Hz/8.2FLA • 208-230V/60Hz/1 (export). Consult factory for options.	
Ice Bank Control	Consolidated circuit board with pump and compressor protection capabilities.	
Compressor	Tecumseh 1/3 HP	
Refrigerant	R-134a	
Refrigerant Deck	Independent lift out.	
Carbonation Deck	Independent lift out.	
Ice Bank Size (Nominal)	30-32 lbs. / 13.61-14.51 kgs.	
Options	Flomatic valves are available in sanitary lever, push button, & portion control. Other valves available. Lighted merchandiser, external carbonator configuration available.	
Shipping Weights	173 lbs. / 78.5 kgs.	190 lbs. / 86.2 kgs.



	CEV30	CEV40
Width	20.50"	25.75"
	52.07 cm	65.41 cm
Depth	28.16"	28.16"
	71.54 cm	71.54 cm
Height	29.88"	29.88"
	75.90 cm	75.90 cm
Drain Pan to Valve Height	11.77"	11.77"
	29.88 cm	29.88 cm