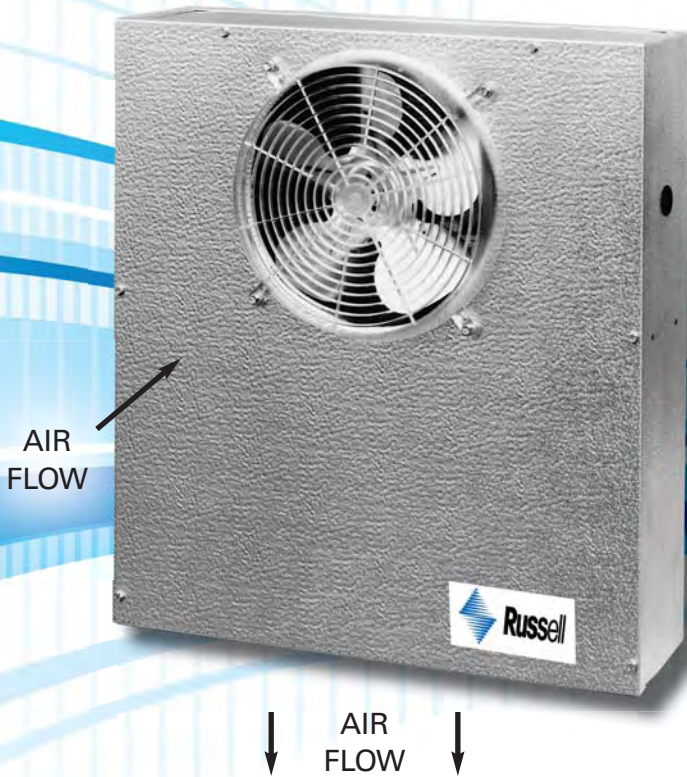




Wall-Temp  
**REACH-IN  
UNIT COOLER**



The Wall-Temp panel cooler is designed for use in beverage boxes, reach-ins and other installations where limited space requires a wall-mounted coil of minimum depth. Housing construction is all Aluminum. The front panel is detachable for quick, easy access to valve, motor and mounting to the wall through back panel. Available with reverse air flow as a special order.

Our specially formulated epoxy coil coating is available on all models of the Wall-Temp.



# REACH-IN UNIT COOLER

## Specifications

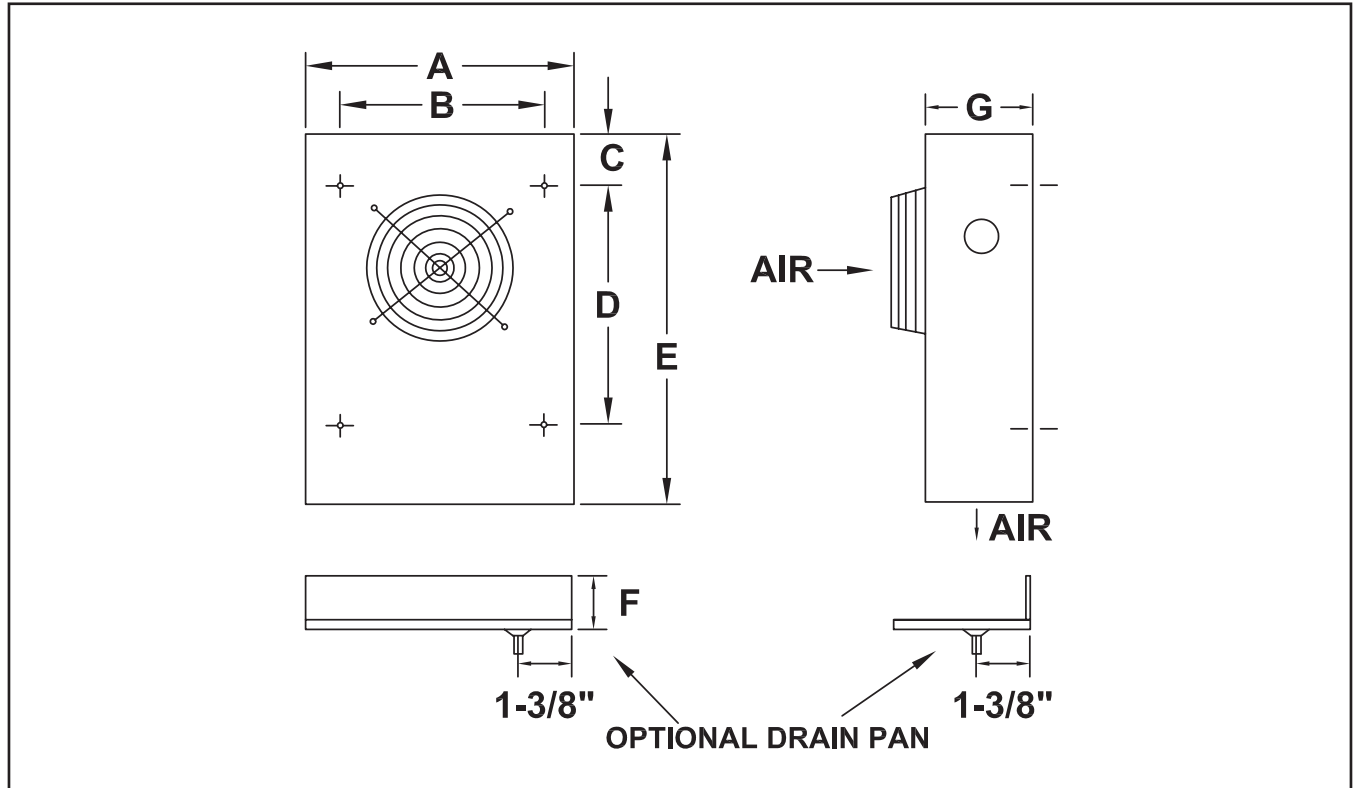
MODEL	BTU/HR. RATING		CFM	FAN AND MOTOR			
	10° T.D.	15° T.D.		Fan	Motor	115V Motor*	RPM
WA 17-6	600	900	115	8"	9W	0.6	1550
WA 17-9	900	1350	140	8"	9W	0.6	1550
WA 17-12	1200	1800	175	8"	9W	0.6	1550
WA 17-18	1800	2700	260	8"	9W	0.6	1550
WA 17-25	2500	3750	360	10"	1/20	1.7	1550
WA 17-35	3500	5250	500	10"	1/20	1.7	1550
WA 17-45	4500	6750	625	12"	1/12	3.5	1550

\* 230V motor amps equals 115V amps x 0.5

## Dimensions

MODEL	A	B	C	D	E	F	G	Liquid Conn.	Suction Conn.	Weight (lbs.)
WA 17-6	12"	9-3/4"	2-1/2"	14-3/8"	17-1/2"	3-3/8"	4-3/8"	1/2" FN	3/8" MF	11
WA 17-9	12"	9-3/4"	2-1/2"	14-3/8"	17-1/2"	3-3/8"	4-3/8"	1/2" FN	3/8" MF	14
WA 17-12	18"	14-1/2"	2-1/2"	16-1/2"	19-1/2"	3-3/8"	4-3/8"	1/2" FN	1/2" MF	20
WA 17-18	18"	14-1/2"	2-1/2"	16-1/2"	19-1/2"	3-3/8"	4-3/8"	1/2" FN	1/2" MF	24
WA 17-25	18"	14"	2-1/2"	21"	24"	5"	8-1/2"	1/2" FN	5/8" MF	28
WA 17-35	18"	14"	2-1/2"	21"	24"	5"	8-1/2"	1/2" FN	5/8" MF	29
WA 17-45	18"	14"	2-1/2"	22-1/2"	25-1/2"	6-5/8"	10-1/2"	1/2" FN	5/8" MF	40

\* All dimensions are in inches.



Due to continuing product development, specifications are subject to change without notice.