



MODEL NO. 5 JR HAND PUNCH
OPERATION, PARTS & MAINTENANCE MANUAL

Model:	Purchased From:
Serial #:	Date Received:

USA  MADE

An American Tradition Since 1910

FOREWORD

This manual has been prepared for the owner and operators of Roper Whitney No. 5 Jr Hand Punch. Its purpose, aside from operations instructions, is to promote safety through the use of accepted operating procedures. Read all instructions thoroughly before operating the punch.

Also contained in this manual is the parts list for your punch. It is recommended that only Roper Whitney or factory authorized parts be used as replacements.



Warranty Statement:

3 YEAR LIMITED WARRANTY

Roper Whitney ("Manufacturer") warrants, commencing with the date of shipment to first end-user ("Customer") and for a period of thirty-six (36) months thereafter, all machinery and parts manufactured by Manufacturer to be free of defects in workmanship and material. **This warranty remains in force for the above time period only if all of Manufacturer's operational procedures are followed and recommended maintenance is performed.** If, within such warranty period, any machinery or parts manufactured by Manufacturer shall be proved to Manufacturer's satisfaction to be defective, such machinery or parts shall be repaired or replaced, at Manufacturer's option. All warranty claims are made F.O.B Manufacturer's plant, providing such machinery or parts are returned freight prepaid to Manufacturer's plant or designated service center for Manufacturer's inspection. All failed parts or components must be returned to Manufacturer prepaid for inspection before credit will be issued for new parts or components. Manufacturer's obligation hereunder shall be confined to such repair or replacement and does not include any charges, direct or indirect, for removing or replacing defective machinery or parts. No warranty shall apply to machinery, or parts or accessories, which have been furnished, repaired, or altered by others so as, in Manufacturer's judgment, to affect the same adversely or which shall have been subject to negligence, accident or improper care, installation, maintenance, storage, or other than normal use or service, during or after shipment. No warranty shall apply to the cost of repairs made or attempted outside of Manufacturer's plant or designated service center without Manufacturer's authorization. No warranty shall apply with respect to machinery or part not manufactured by Manufacturer, including but not limited to motors, accessories, electrical and hydraulic components, if such machinery or part is subject to warranty by the manufacturer of such machinery or part. No warranty claims by Customer will be honored with respect to any machinery or part from which the name and date plate has been removed or is otherwise no longer located or exhibited on such machinery or part. **THE FOREGOING WARRANTIES ARE IN LIEU OF ALL OTHER WARRANTIES EXPRESSED OR IMPLIED, INCLUDING, BUT NOT LIMITED TO, ANY IMPLIED WARRANTY OF MERCHANTABILITY AND IMPLIED WARRANTY OF FITNESS FOR A PARTICULAR PURPOSE. MANUFACTURER SHALL NOT BE SUBJECT TO ANY OTHER OBLIGATIONS OR LIABILITIES WHATSOEVER WITH RESPECT TO MACHINERY, PARTS, ACCESSORIES, OR SERVICES MANUFACTURED OR FURNISHED BY IT OR ANY UNDERTAKINGS, ACTS, OR OMISSIONS RELATING THERETO. UNDER NO CIRCUMSTANCES SHALL MANUFACTURER BE LIABLE FOR ANY CONSEQUENTIAL OR OTHER DAMAGES, EXPENSES, LOSSES, OR DELAYS HOW SO EVER CAUSED.**

THERE ARE NO WARRANTIES THAT EXTEND BEYOND THE DESCRIPTION ON THE FACE HEREOF.

Note: Consumable tooling is not covered under the 3 year manufacturer's warranty.

RETURN OF THE PRODUCT REGISTRATION CARD FURNISHED WITH THE PRODUCT IS NECESSARY TO OBTAIN WARRANTY COVERAGE THEREON. CARD MUST BE FULLY COMPLETED, SIGNED BY THE PURCHASER, AND IF APPLICABLE, SIGNED BY THE DISTRIBUTOR. RETURN REGISTRATION CARD TO:

Roper Whitney 2833 Huffman Blvd. Rockford, IL 61103
815-962-3011 / Fax 815-962-2227
www.roperwhitney.com

SAFETY INSTRUCTIONS

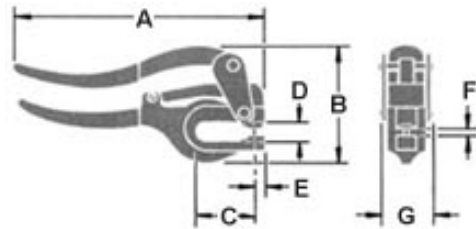
FOR MAXIMUM OPERATOR SAFETY DO:

1. Read and understand this manual.
2. Use only No. 5 punches and dies marked with a **W** or **R-W** designed for this tool.
3. Be sure you punch within the one ton capacity of this tool. Type and thickness of material versus final hole size will give you this tonnage.
4. Wear safety glasses.

FOR MAXIMUM OPERATOR SAFETY DO NOT:

1. Use punches and dies that are chipped or dulled.
2. Punch over capacity of the tool.
3. Nibble. Punch a full hole not a half hole as punch may contact die.

DIMENSIONS - NO. 5 JR.		
Reference	IN.	MM
A	8 1/4	209.55
B	3 3/4	96.84
C	1 3/4	44.45
D	7/16	11.11
E	5/16	7.94
F	9/32	7.14
G	1 13/32	35.72

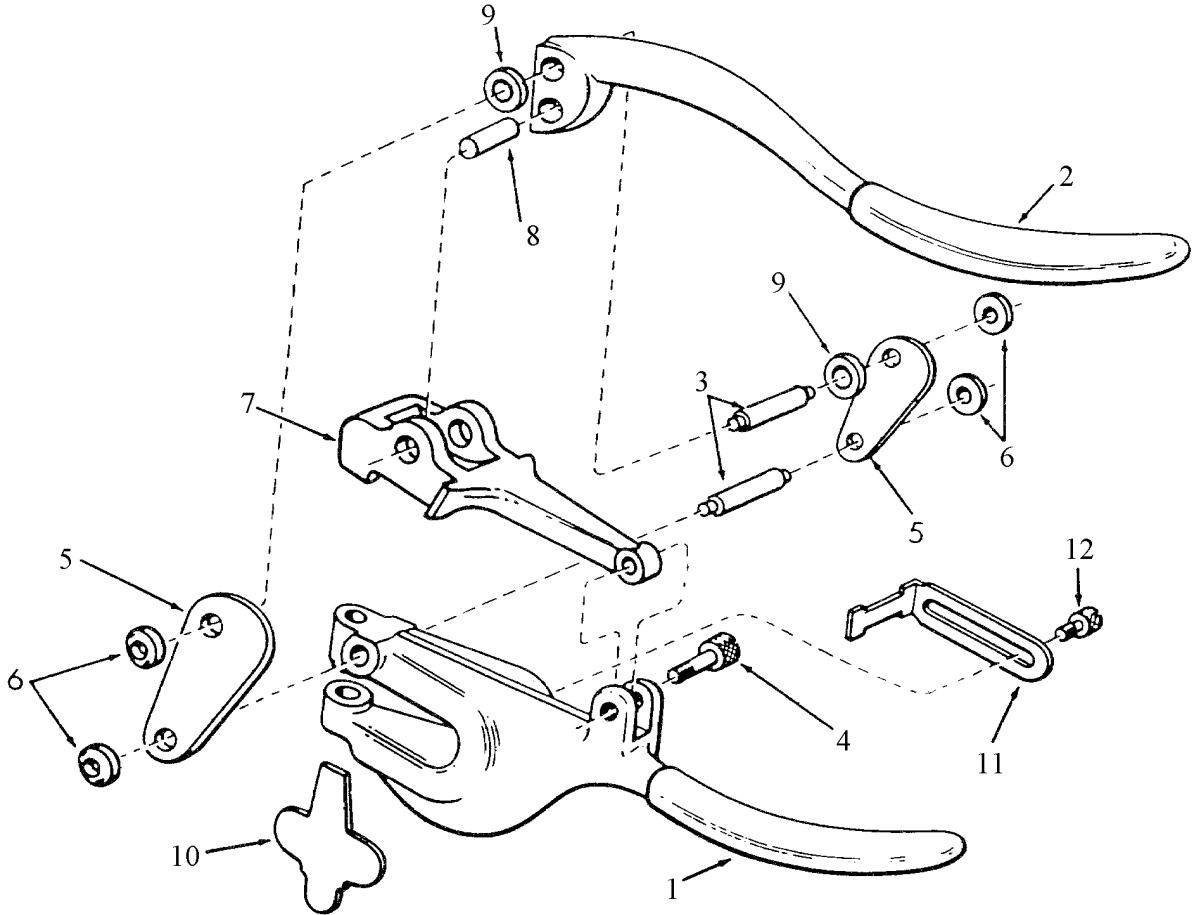


CARE: Oil at hinge points, the punch guide hole in the lower handle, and the punch point is all the care necessary.

OPERATION: To change punches, remove the lower handle screw (4) and pull upper handle assembly back to release punch from eccentric arm slot. Lift punch from guide hole. Put new punch in guide hole and move eccentric arm forward until punch lot is engaged in eccentric arm, then replace lower handle screw. Dies are threaded into lower handle. To avoid breakage, use die key to remove die or screwdriver wide enough to engage both slots. Die should be set high enough so punch can remove slug. Bench mounting base use requires a 7/16" hole in bench for 3/8" hooked clamp rod.

NO. 5 JR HAND PUNCH

PARTS LIST



NO. 5 JR HAND PUNCH

PARTS LIST

ITEM NO.	PART NO.	PART NAME	QTY.
1	730460001	Lower Handle	1
2	730460002	Upper Handle	1
4	730650004	Lower Handle Screw	1
8	630255200	Cam Pin	1
10	730480009	Key (Die Adjusting)	1
11	730420010	Gauge	1
12	730650011	Gauge Screw	1
13	600000175	Plastic Box (Not Shown)	1
*	235010050	Eccentric Arm Changeover Kit Consists of:	1
3	730160003	Eccentric Pin	2
5	730240005	Eccentric Side Link	2
6	730830008	Eccentric Side Link Washer	4
7	591005100	Eccentric Arm	1
9	730830006	Spacing Washer	2

* ECCENTRIC ARM CHANGE

Tools built after **January 2, 1996** have a new, superior Eccentric Arm Assembly. Old style Eccentric Arm Assembly parts are no longer available. Old style No. 5 Jr. Hand Punches can be easily converted to the new style using an Eccentric Arm Changeover Kit.

NO. 5 JR HAND PUNCH

AVAILABLE TOOLING

NO. 5 JR HAND PUNCH



TYPE O ROUND PUNCHES AND DIES

#5 Punch & #5 Die

Standard Sizes

Fractional, Drill or Millimeter	Decimal Equiv.	Punch Part Number	Die Part Number	Set Part Number	Dealer Code
1/16	.063	300050063	310050063	200050063	T-9
5/64	.078	300050078	310050078	200050078	T-9
3/32-42 DS	.094	300050094	310050094	200050094	T-9
7/64	.109	300050109	310050109	200050109	T-9
1/8	.125	300050125	310050125	200050125	T-9
30 DS	.129	300050129	310050129	200050129	T-9
9/64-28 DS	.141	300050141	310050141	200050141	T-9
5/32	.156	300050156	310050156	200050156	T-9
11/64	.172	300050172	310050172	200050172	T-9
3/16	.188	300050188	310050188	200050188	T-9
13/64	.203	300050203	310050203	200050203	T-9
7/32	.219	300050219	310050219	200050219	T-9
15/64-A DS	.234	300050234	310050234	200050234	T-9
1/4-E DS	.250	300050250	310050250	200050250	T-9
17/64-H DS	.266	300050266	310050266	200050266	T-9
9/32-K DS	.281	300050281	310050281	200050281	T-9

Part Number 235800007

Replacement Package Consists of 1 each:

3/32, 1/8, 5/32, 3/16, 7/32, 1/4 & 9/32 punch and die

Dealer Code T-6

For additional shapes and sizes, consult factory.

Roper Whitney / 2833 Huffman Blvd. / Rockford, IL 61103 / 815-962-3011 / Fax 815-962-2227

www.roperswhitney.com