

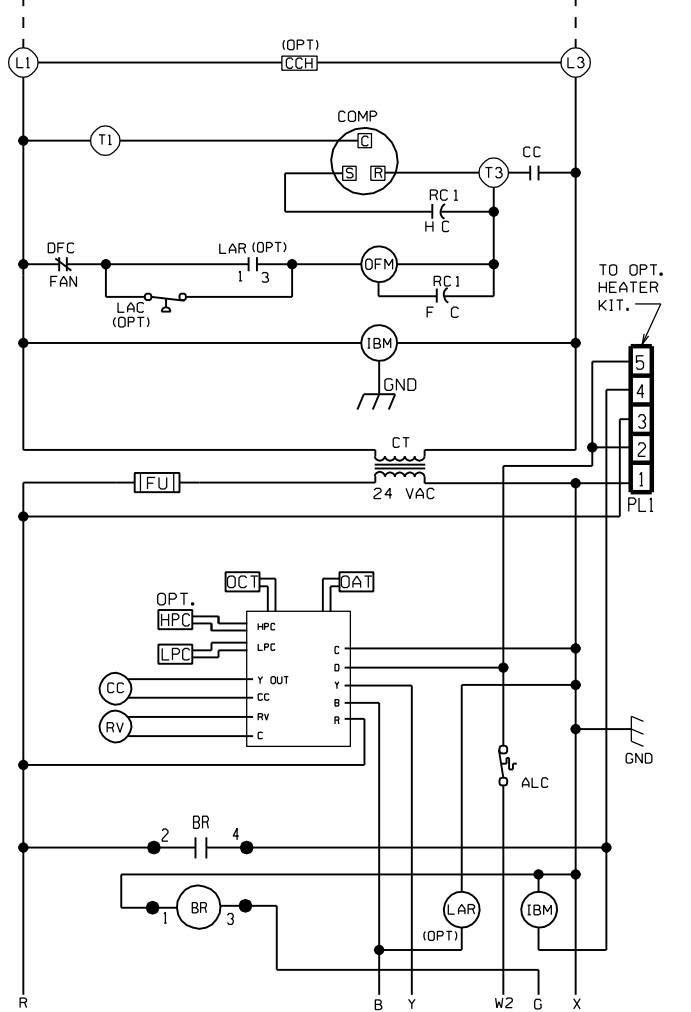
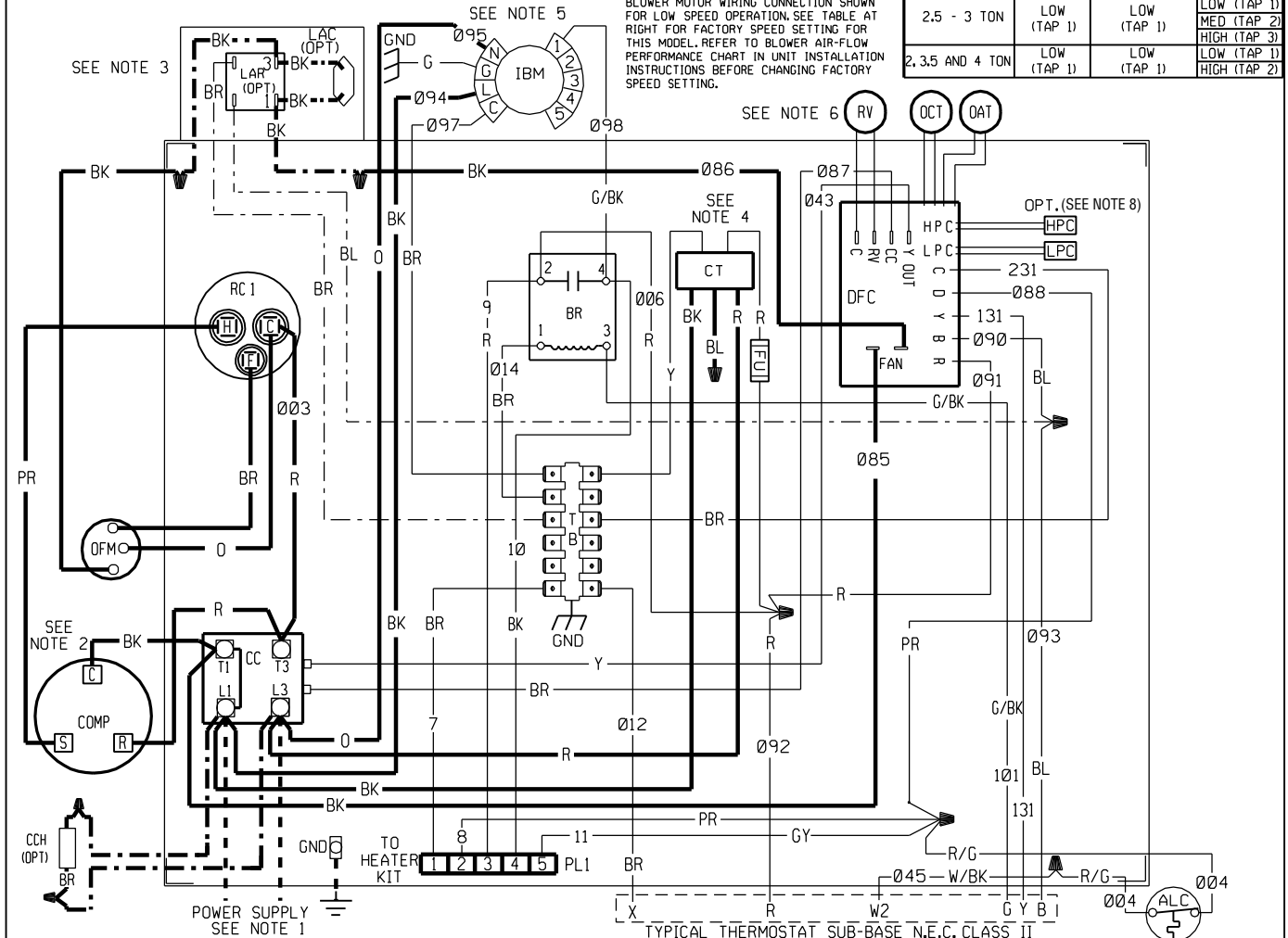
NOTE: ALL SWITCHES SHOWN IN COOLING POSITION.

WIRING DIAGRAM

NOTE: BLOWER MOTOR WIRING CONNECTION SHOWN FOR LOW SPEED OPERATION. SEE TABLE AT RIGHT FOR FACTORY SPEED SETTING FOR THIS MODEL. REFER TO BLOWER AIR-FLOW PERFORMANCE CHART IN UNIT INSTALLATION INSTRUCTIONS BEFORE CHANGING FACTORY SPEED SETTING.

NOMINAL COOLING CAPACITY	MOTOR SPEED FROM FACTORY	HEAT	COOL	AVAILABLE SPEEDS
2.5 - 3 TON	LOW (TAP 1)	LOW (TAP 1)	LOW (TAP 1)	LOW (TAP 1) MED (TAP 2) HIGH (TAP 3)
		LOW (TAP 1)	LOW (TAP 1)	LOW (TAP 1) HIGH (TAP 2)
2, 3.5 AND 4 TON	LOW (TAP 1)	LOW (TAP 1)	LOW (TAP 1)	LOW (TAP 1) HIGH (TAP 2)

SCHEMATIC DIAGRAM



COMPONENT CODE

- | | | | |
|------|-----------------------------|-----|----------------------|
| ALC | AUX. LIMIT CONTROL | LAR | LOW AMBIENT RELAY |
| BR | BLOWER RELAY | LPC | LOW PRESSURE CONTROL |
| CC | COMPRESSOR CONTACTOR | OAT | OUTDOOR AMBIENT TEMP |
| CCH | CRANKCASE HEATER | OCT | OUTDOOR COIL TEMP |
| COMP | COMPRESSOR | OFM | OUTDOOR FAN MOTOR |
| CT | CONTROL TRANSFORMER | OPT | OPTIONAL |
| DFC | DEFROST CONTROL | PL | PLUG |
| FU | FUSE | RC | RUN CAPACITOR |
| GND | GROUND | RV | REVERSING VALVE |
| HPC | HIGH PRESSURE CONTROL | TB | TERMINAL BLOCK |
| IBM | INDOOR BLOWER MOTOR | ▲ | WIRE NUT |
| LAC | LOW AMBIENT COOLING CONTROL | | |

NOTES:

- CONNECTORS SUITABLE FOR USE WITH COPPER CONDUCTORS ONLY.
- COMPRESSOR MOTOR THERMALLY PROTECTED.
- IF LAC/LAR IS NOT USED, CONNECT BLACK WIRE FROM OFM TO WIRE NUT FROM DR
- TRANSFORMER FACTORY WIRED FOR 230 VOLTS. USE RED AND BLUE LEADS FOR 208 VOLTS.
- MOTOR FACTORY WIRED FOR CORRECT SPEED.
- THIS COMPONENT ENERGIZED IN HEATING.
- SEE FUSE LOCATION ON CONTROL BOX COVER FOR FUSE SIZING AND CLASSIFICATION.
- DFC HAS JUMPER ON HPC TERMINALS IF HPC NOT INSTALLED.

WIRING INFORMATION

LINE VOLTAGE
 -FACTORY STANDARD
 -FACTORY OPTION
 -FIELD INSTALLED
 LOW VOLTAGE
 -FACTORY STANDARD
 -FACTORY OPTION
 -FIELD INSTALLED
 REPLACEMENT WIRE
 -MUST BE THE SAME SIZE AND TYPE OF INSULATION AS ORIGINAL (105 C.MIN.)
 WARNING
 -CABINET MUST BE PERMANENTLY GROUNDED AND CONFORM TO I.E.C., N.E.C., C.E.C., NATIONAL WIRING REGULATIONS, AND LOCAL CODES AS APPLICABLE.

WIRE COLOR CODE

- | | | | |
|----|-------|----|--------|
| BK | BLACK | O | ORANGE |
| BR | BROWN | PR | PURPLE |
| BL | BLUE | R | RED |
| G | GREEN | W | WHITE |
| GY | GRAY | Y | YELLOW |

ELECTRICAL WIRING DIAGRAM

PACKAGE HEAT PUMP

1 PH, 208-230 VOLT
 X-13 INDOOR BLOWER MOTOR

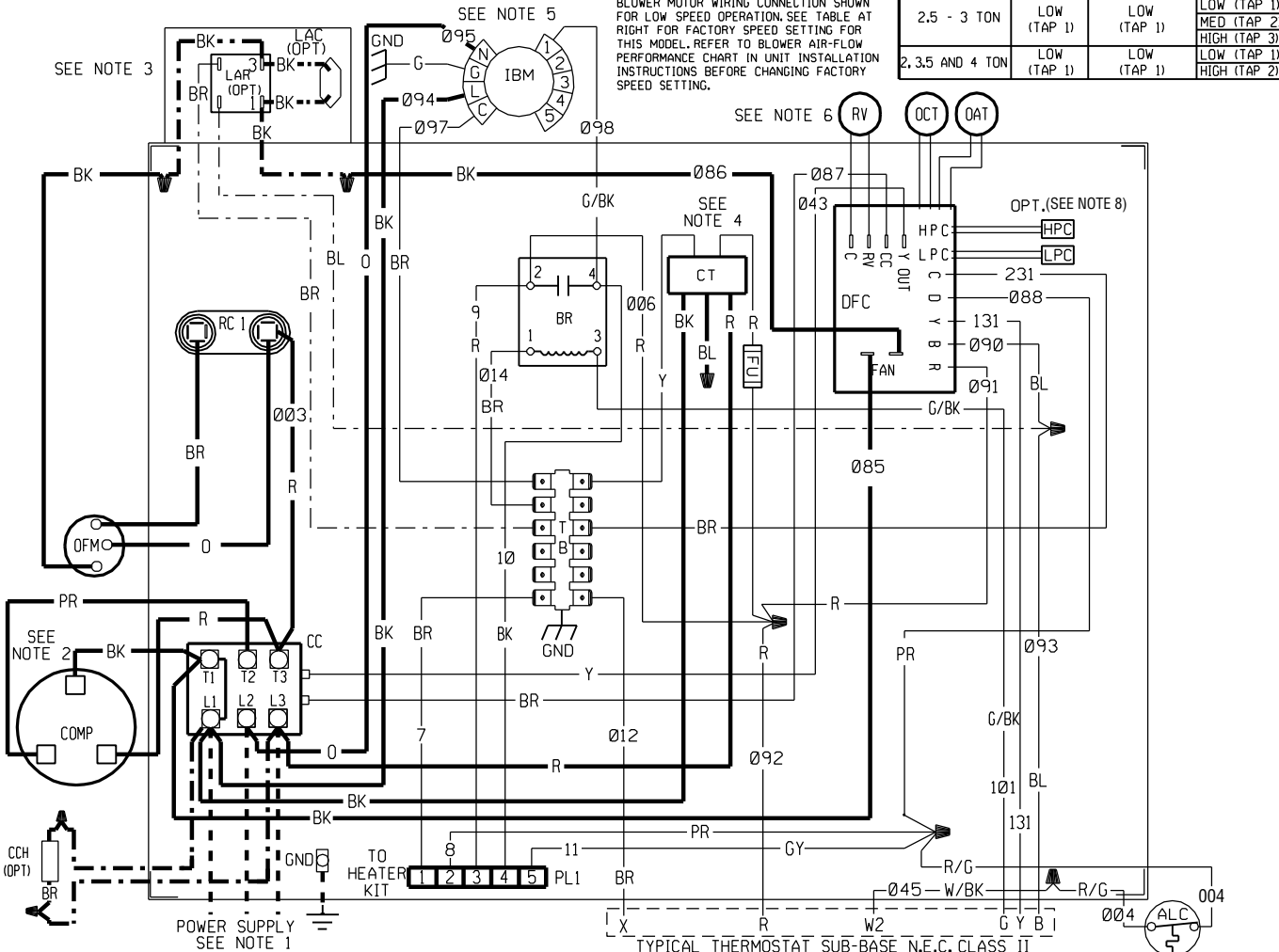
DR. BY	APP. BY	DATE	DWG. NO.	REV
MGR		6-18-10	90-23621-32	05

NOTE: ALL SWITCHES SHOWN IN COOLING POSITION.

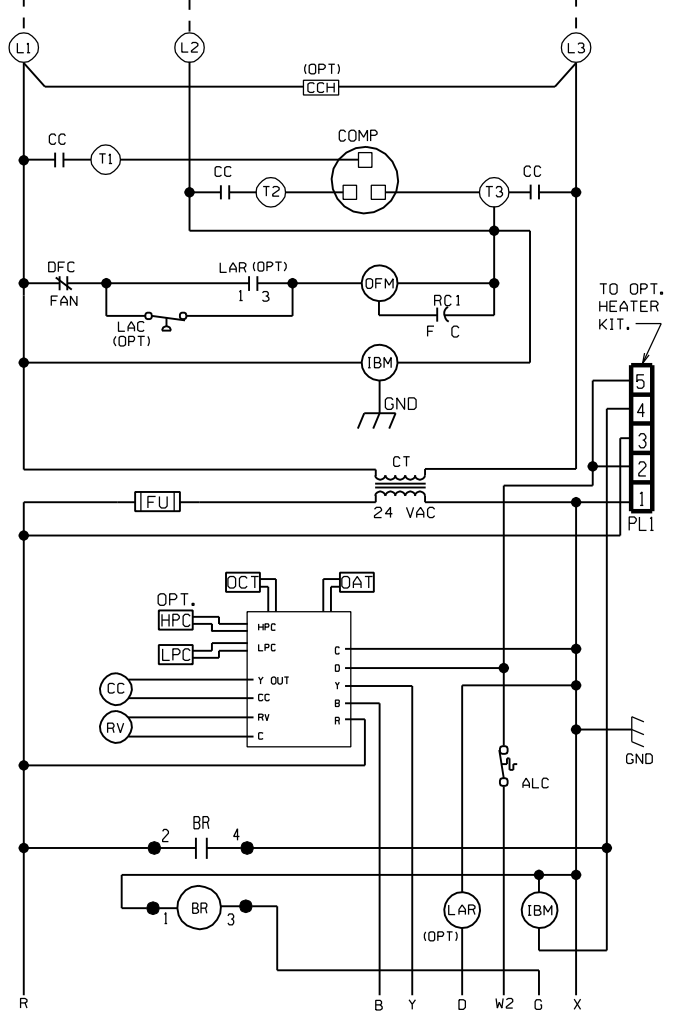
WIRING DIAGRAM

NOTE: BLOWER MOTOR WIRING CONNECTION SHOWN FOR LOW SPEED OPERATION. SEE TABLE AT RIGHT FOR FACTORY SPEED SETTING FOR THIS MODEL. REFER TO BLOWER AIR-FLOW PERFORMANCE CHART IN UNIT INSTALLATION INSTRUCTIONS BEFORE CHANGING FACTORY SPEED SETTING.

NOMINAL COOLING CAPACITY	MOTOR SPEED FROM FACTORY		AVAILABLE SPEEDS	
	HEAT	COOL	LOW (TAP 1)	HIGH (TAP 2)
2.5 - 3 TON	LOW (TAP 1)	LOW (TAP 1)	LOW (TAP 2)	HIGH (TAP 3)
2, 3.5 AND 4 TON	LOW (TAP 1)	LOW (TAP 1)	LOW (TAP 1)	HIGH (TAP 2)



SCHEMATIC DIAGRAM



COMPONENT CODE

ALC	AUX. LIMIT CONTROL	LAR	LOW AMBIENT RELAY
BR	BLOWER RELAY	LPC	LOW PRESSURE CONTROL
CC	COMPRESSOR CONTACTOR	OAT	OUTDOOR AMBIENT TEMP
CCH	CRANKCASE HEATER	OCT	OUTDOOR COIL TEMP
COMP	COMPRESSOR	OFM	OUTDOOR FAN MOTOR
CT	CONTROL TRANSFORMER	OPT	OPTIONAL
DFC	DEFROST CONTROL	PL	PLUG
FU	FUSE	RC	RUN CAPACITOR
GND	GROUND	RV	REVERSING VALVE
HPC	HIGH PRESSURE CONTROL	TB	TERMINAL BLOCK
IBM	INDOOR BLOWER MOTOR	▲	WIRE NUT
LAC	LOW AMBIENT COOLING CONTROL		

NOTES:

- CONNECTORS SUITABLE FOR USE WITH COPPER CONDUCTORS ONLY.
- COMPRESSOR MOTOR THERMALLY PROTECTED.
- IF LAC/LAR IS NOT USED, CONNECT BLACK WIRE FROM OFM TO WIRE NUT FROM DR
- TRANSFORMER FACTORY WIRED FOR 230 VOLTS. USE RED AND BLUE LEADS FOR 208 VOLTS.
- MOTOR FACTORY WIRED FOR CORRECT SPEED.
- THIS COMPONENT ENERGIZED IN HEATING.
- SEE FUSE LABEL ON CONTROL BOX COVER FOR FUSE SIZING AND CLASSIFICATION.
- DFC HAS JUMPER ON HPC TERMINALS IF HPC NOT INSTALLED.

WIRING INFORMATION

LINE VOLTAGE
 -FACTORY STANDARD
 -FACTORY OPTION
 -FIELD INSTALLED
 LOW VOLTAGE
 -FACTORY STANDARD
 -FACTORY OPTION
 -FIELD INSTALLED
 REPLACEMENT WIRE
 -MUST BE THE SAME SIZE AND TYPE OF INSULATION AS ORIGINAL (105 C.MIN.)
WARNING
 -CABINET MUST BE PERMANENTLY GROUNDED AND CONFORM TO I.E.C., N.E.C., C.E.C., NATIONAL WIRING REGULATIONS, AND LOCAL CODES AS APPLICABLE.

WIRE COLOR CODE

BK	BLACK	O	ORANGE
BR	BROWN	PR	PURPLE
BL	BLUE	R	RED
G	GREEN	W	WHITE
GY	GRAY	Y	YELLOW

ELECTRICAL WIRING DIAGRAM

PACKAGE HEAT PUMP

3 PH, 208-230 VOLT
 X-13 INDOOR BLOWER MOTOR

DR. BY	APP. BY	DATE	DWG. NO.	REV
MGR		6-18-10	90-23621-34	05