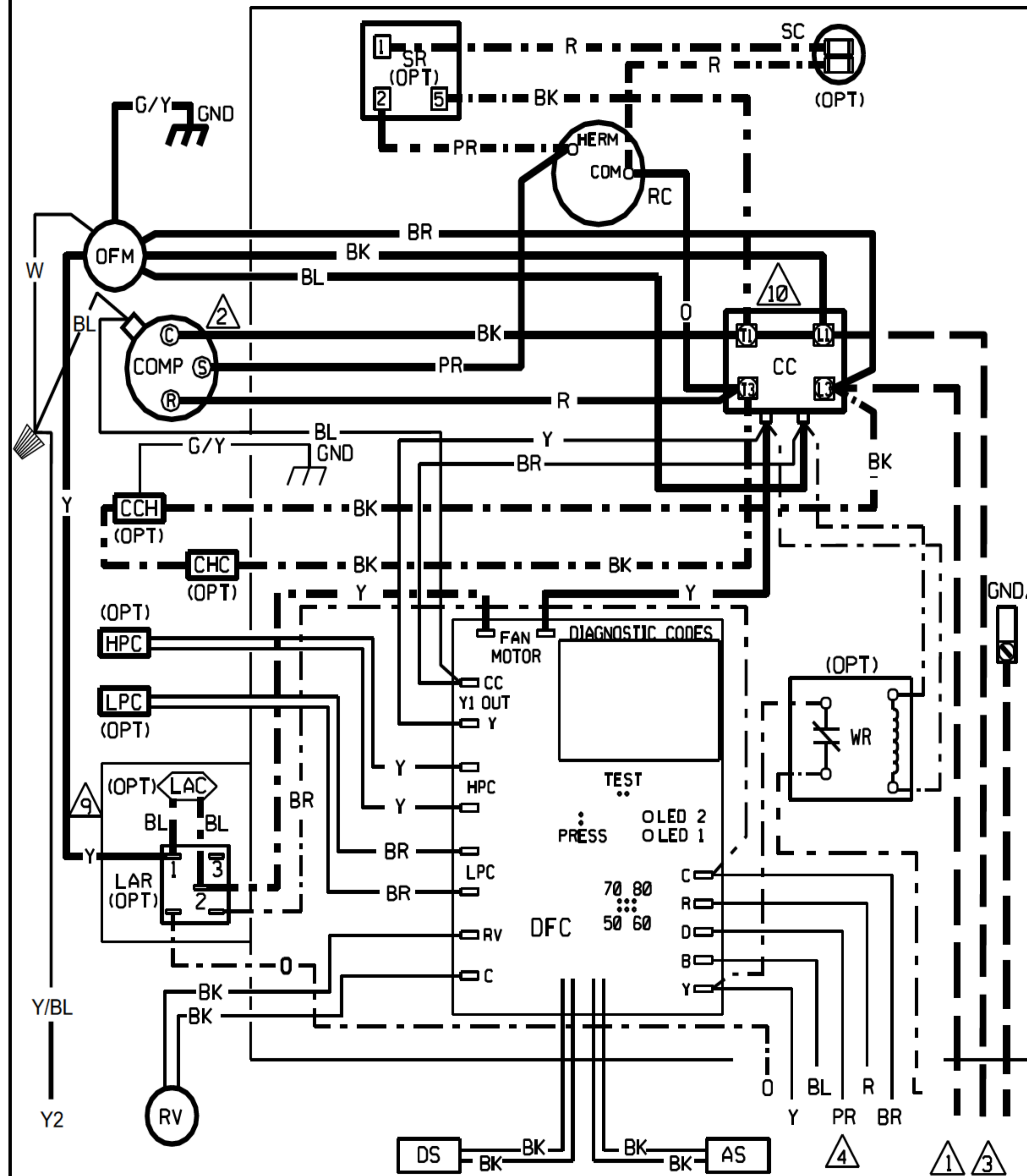
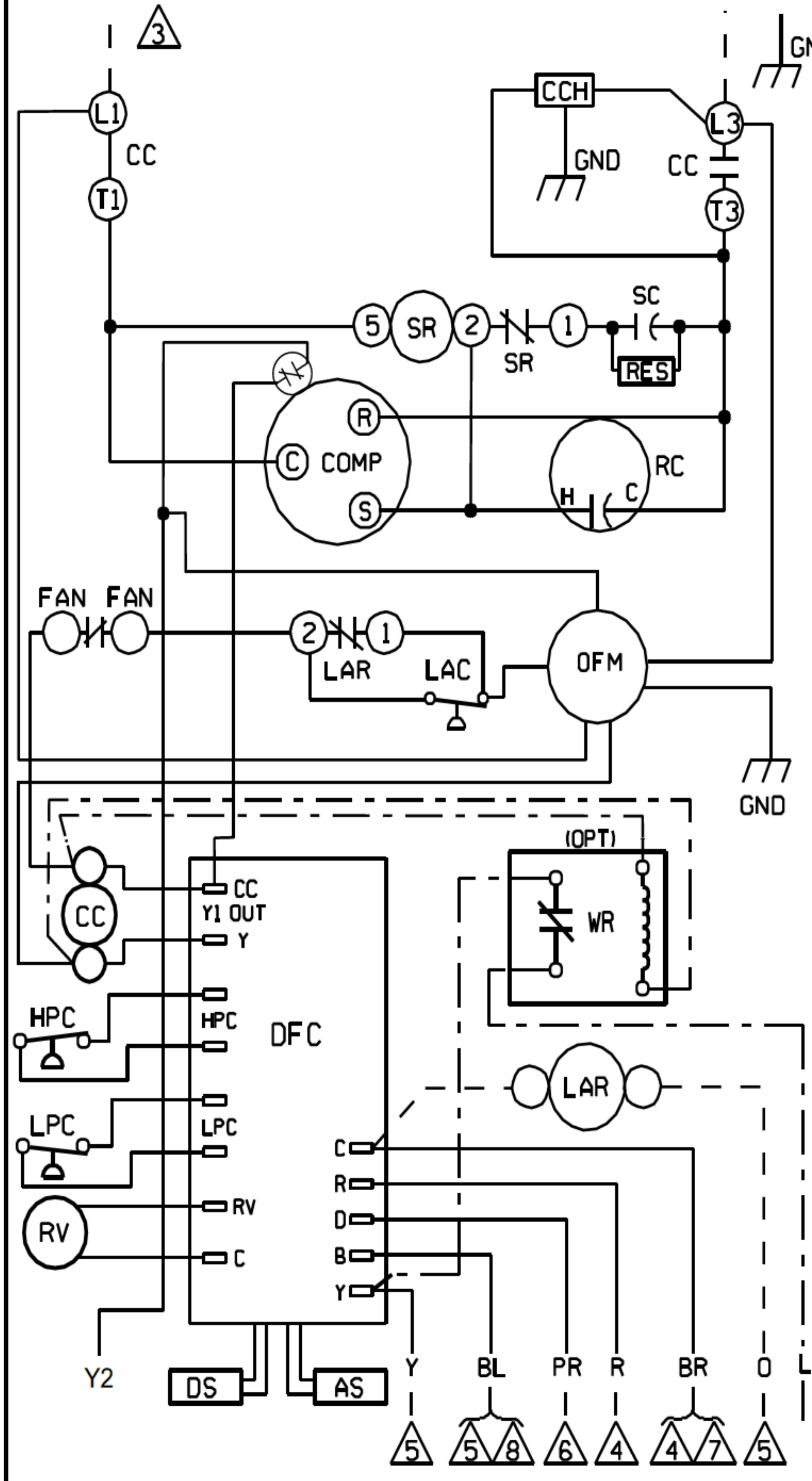


WIRING DIAGRAM



WIRING SCHEMATIC



COMPONENT CODE

- AS AMBIENT SENSOR
- CC COMPRESSOR CONTACTOR
- CCH CRANKCASE HEATER
- CHC CRANKCASE HEATER CONTROL
- COMP COMPRESSOR
- DFC DEFROST CONTROL
- DS DEFROST COIL SENSOR
- GND GROUND, CHASSIS
- HPC HIGH PRES. CUT-OUT CONTROL
- LAC LOW AMBIENT COOLING CONTROL
- LAR LOW AMBIENT RELAY
- LPC LOW PRESSURE CUT OUT CONTROL
- OFM OUTDOOR FAN MOTOR
- OPT OPTIONAL
- RC RUN CAPACITOR
- RV REVERSING VALVE
- SC START CAPACITOR
- SR START RELAY
- WR WARNING RELAY
- WN WIRE NUT

NOTES:

1. CONNECTORS SUITABLE FOR USE WITH COPPER CONDUCTORS ONLY.
2. COMPRESSOR MOTOR THERMALLY PROTECTED AND ALL 3 PHASE ARE PROTECTED UNDER PRIMARY SINGLE PHASE CONDITIONS.
3. CONNECT FIELD WIRING IN GROUNDED RAINTIGHT CONDUIT TO 60 HERTZ FUSE DISCONNECT, VOLTAGE AND PHASE PER RATING PLATE.
4. LOW VOLTAGE CIRCUIT TO BE N.E.C. CLASS 2 WITH A CLASS 2 TRANSFORMER 24 VOLT, 60 HERTZ.
5. TO THERMOSTAT SUB-BASE, REFER TO SYSTEM SCHEMATICS OR SCHEMATICS ON INDOOR SECTION FOR LOW VOLTAGE CONTROL WIRING.
6. THIS WIRE IS USED TO TURN ON STRIP HEAT DURING DEFROST. OMIT CONNECTION FOR MOST ECONOMICAL OPERATION.
7. TO HEAT PUMP MONITOR 2.5 VA. MAX. WHEN USED.
8. THIS COMPONENT IS ENERGIZED IN HEATING MODE.
9. IF LAC/LAR IS NOT USED, CONNECT YELLOW WIRE FROM OFM TO DFC FAN MOTOR.
10. BLACK WIRE FROM SR (5) TO CC (T1) DELETED WHEN PTCR IS USED.

WIRING INFORMATION

- LINE VOLTAGE
- FACTORY STANDARD
 - FACTORY OPTION
 - FIELD INSTALLED
- LOW VOLTAGE
- FACTORY STANDARD
 - FACTORY OPTION
 - FIELD INSTALLED
- REPLACEMENT WIRE
- MUST BE THE SAME SIZE AND TYPE OF INSULATION AS ORIGINAL (105 °C MIN.)
- WARNING
- CABINET MUST BE PERMANENTLY GROUNDED AND CONFORM TO I.E.C., N.E.C., C.E.C. AND LOCAL CODES AS APPLICABLE.

WIRE COLOR CODE

- | | |
|-----------|------------|
| BK__BLACK | O__ORANGE |
| BR__BROWN | PR__PURPLE |
| BL__BLUE | R__RED |
| G__GREEN | W__WHITE |
| GY__GRAY | Y__YELLOW |

WIRING DIAGRAM

REMOTE HEAT PUMP
SINGLE PHASE WITH ECM
DEMAND DEFROST CONTROL
NON COMMUNICATING TWO STAGE

DR. BY	APP. BY	DATE	DWG. NO.	REV
JHB		2/10/17	90 - 101229 - 44	01