



# RGEA15

Parts List  
31-March-2015



*This parts list is current as of the above revision date.  
See <http://www.rheempartslists.net/92-42800-RGEA15.pdf> for the current revision.*

Package Gas-Electric

# Table of Contents

Model Explanation .....	Page 3
-------------------------	--------

## Parts Numbers

Panels - Miscellaneous 024-036 .....	Page 4
Panels - Miscellaneous 042-060 .....	Page 5
Electrical Group .....	Page 6
Fan Group .....	Page 7
Blower Group .....	Page 8
Coil Parts (1) .....	Page 9
Coil Parts (2) .....	Page 10
Compressor Group (1) .....	Page 11
Compressor Group (2) .....	Page 12
Heat Exchanger-Burner Group (1) .....	Page 13
Heat Exchanger-Burner Group (2) .....	Page 14
Gas Controls .....	Page 15
Accessories .....	Page 15
Orifice Selection Chart .....	Page 16

## Drawings/Photographs

Exploded View .....	Page 17
Control Access Panel, Evap Coil .....	Page 18
Evaporator Coil .....	Page 18
Electrical Control Box .....	Page 19
Bushings - Bulkhead Wiring .....	Page 20
Blower Assembly .....	Page 21
Coil Frames, Drainpan .....	Page 22
Condenser Coil 2 Ton .....	Page 23
Condenser Coil 2.5 - 3 Ton .....	Page 24
Condenser Coil 3.5 - 4 - 5 Ton .....	Page 25
Compressor and Refrigeration Components .....	Page 26
Heat Exchanger Assembly .....	Page 27
Collector Box - Heat Exchanger .....	Page 28
Burner Assembly .....	Page 29
Evaporator Coil Gaskets .....	Page 30

Notes/Disclaimer .....	Page 31
------------------------	---------

**MODEL NUMBER EXPLANATION**

R	G	E	A	1	5	0	3	6	A	J	D	00	1	A	A	-
(1)	(2)	(3)	(4)	(5)			(6)	(7)	(8)	(9)	(10)	(11)	(12)	(13)		

**(1) TRADENAME IDENTIFICATION**

**(2) PRODUCT CLASSIFICATION**

GE = Package Gas Electric

**(3) CABINET TYPE**

A = Residential Package

**(4) SERIES**

15 = 15 SEER

**(5) COOLING CAPACITY (Ton)**

024 = 2 ton            042 = 3.5 ton  
 030 = 2.5 ton        048 = 4 ton  
 036 = 3 ton            060 = 5 ton

**(6) MAJOR SERIES**

**(7) ELECTRICAL DESIGNATION**

J = 208/230V - 1 PH - 60 HZ  
 C = 208/230V - 3 PH - 60 HZ  
 D = 460V - 3 PH - 60 HZ  
 Y = 575 - 3 PH - 60 HZ  
 S = 200V - 1 PH - 50 HZ  
 T = 220/240V - 1 PH - 50 HZ  
 P = 200/220V - 3 PH - 50 HZ  
 N = 380/415V - 3 PH - 50 HZ  
 V = 380V - 3 PH - 60 HZ

**(8) DRIVE PACKAGE**

A = Belt - Low Static  
 B = Belt - Medium Static  
 C = Belt - High Static  
 D = Direct Drive  
 E = Direct Drive VFD  
 F = Belt VFD - Low Static  
 G = Belt VFD - Medium Static  
 H = Belt VFD - High Static  
 T = Constant Torque  
 V = Variable Speed

**(9) HEATING CAPACITY - (MBH)**

00 = no heat  
 04 = 40,000  
 06 = 60,000  
 08 = 80,000  
 10 = 100,000

**(10) HEAT CONFIGURATION**

1 = Single Stage  
 2 = Two Stage  
 X = Single Stage NOX  
 T = Two Stage NOX  
 0 = No Heat

**(11) CONTROL**

A = Non-Communicating  
 C = Clear Control

**(12) MINOR SERIES**

A = 1st Design

**(13) Option Code**

**SERIAL NUMBER EXPLANATION**

F	0	8	1	3	9	9	9	9
(1)	(2)	(3)	(4)					

**(1) PLANT CODE**

**(2) WEEK (DATE CODE)**

**(3) YEAR**

**(4) PRODUCTION NUMBER**

**Note: For Compressor Identification Number, see Compressor Code on Rating Plate  
 For Gas Code, see Control System Gas Code on Rating Plate**

No.	Notes	MODEL	RGEA15	RGEA15	RGEA15
		COOLING CAPACITY MAJOR SERIES	024 A	030 A	036 A
<b>SHEET METAL PARTS, MISCELLANEOUS</b>					
1		Front Base Pan	AS-58628-07H	AS-58628-07H	AS-58628-07H
2		Base Rail (2)	AE-58562-03	AE-58562-03	AE-58562-03
3		Base Rail (2)	AE-58562-04	AE-58562-04	AE-58562-04
4		Back Base Pan	AS-58607-64	AS-58607-64	AS-58607-64
5		Blower Shelf	AS-58630-01	AS-58630-01	AS-58630-01
6		Blower Shelf Transition	AS-58607-19	AS-58607-19	AS-58607-19
7		Divider Panel	AS-58607-03	AS-58607-03	AS-58607-03
8		Bulkhead Assembly	AS-58607-68	AS-58607-62	AS-58607-62
9		Exhaust Hood	AS-58629-01H	AS-58629-01H	AS-58629-01H
10		Combustion Air Inlet Hood	AS-58599-01H	AS-58599-01H	AS-58599-01H
11		Corner Post	AS-58607-40H	AS-58607-40H	AS-58607-40H
12		Blower Access Panel	AS-58607-09H	AS-58607-09H	AS-58607-09H
13		End Panel	AS-58607-04H	AS-58607-04H	AS-58607-04H
14		Supply Cover - Downflow	AS-58607-06H	AS-58607-06H	AS-58607-06H
14		Supply Cover - Side Option	AS-58607-35H	AS-58607-35H	AS-58607-35H
15		Return Cover - Downflow	AS-58607-05H	AS-58607-05H	AS-58607-05H
15		Return Cover - Side Option	AS-58607-34H	AS-58607-34H	AS-58607-34H
16		Top Panel	AS-58607-67H	AS-58607-67H	AS-58607-67H
17		Grille	95-100906-08	95-100906-08	95-100906-08
18		Filter Access Panel	AS-58607-08H	AS-58607-08H	AS-58607-08H
19		Condenser Louver Panel	AS-58607-61H	AS-58607-61H	AS-58607-61H
20		Center Post	AS-58569-05H	AS-58569-05H	AS-58569-05H
21		Control Access Panel	AS-58607-20H	AS-58607-20H	AS-58607-20H
22		Control Box (w/o components)	AE-58597-01	AE-58597-01	AE-58597-01
23		Control Box Cover	AE-58598-01	AE-58598-01	AE-58598-01
24		Furnace Shelf	AS-58607-11	AS-58607-11	AS-58607-11
25		Burner Floor	AE-58594-01	AE-58594-01	AE-58594-01
26		Exhaust Transition	AS-58607-36	AS-58607-36	AS-58607-36
27		Bulkhead Valve (2)	61-22369-04	61-22369-04	61-22369-04
28		Bulkhead Valve Locknut (2)	63-22368-01	63-22368-01	63-22368-01
		Bulkhead Valve Cap (2)	83-100635-01	83-100635-01	83-100635-01
		Heat Exchanger Tube Support	AE-58590-01	AE-58590-01	AE-58590-01
		Grommet - Gas Supply Piping	56-22114-01	56-22114-01	56-22114-01
A		Star Bushing	45-18515-01	45-18515-01	45-18515-01
B		Nylon Snap Bushing	45-17057-02	45-17057-02	45-17057-02
C		Strain Relief Bushing	45-17055-11	45-17055-11	45-17055-11
D		Neoprene Gasket - 1/8 x 1/2	68-22079-04	68-22079-04	68-22079-04
E		Neoprene Gasket - 1/4 x 1/2	68-22079-06	68-22079-06	68-22079-06
F		Gasket 3/8 x 3/4	68-20243-02	68-20243-02	68-20243-02
G		Gasket 1/2 x 3/4	68-20243-01	68-20243-01	68-20243-01

No.	Notes	MODEL	RGEA15	RGEA15	RGEA15
		COOLING CAPACITY MAJOR SERIES	042 A	048 A	060 A
<b>SHEET METAL PARTS, MISCELLANEOUS</b>					
1		Front Base Pan	AS-58628-07H	AS-58628-07H	AS-58628-07H
2		Base Rail (2)	AE-58562-03	AE-58562-03	AE-58562-03
3		Base Rail (2)	AE-58562-04	AE-58562-04	AE-58562-04
4		Back Base Pan	AS-58607-64	AS-58607-64	AS-58607-64
5		Blower Shelf	AS-58630-01	AS-58630-01	AS-58630-01
6		Blower Shelf Transition	AS-58607-19	AS-58607-19	AS-58607-19
7		Divider Panel	AS-58607-03	AS-58607-03	AS-58607-03
8		Bulkhead Assembly	AS-58607-55	AS-58607-57	AS-58607-57
9		Exhaust Hood	AS-58629-01H	AS-58629-01H	AS-58629-01H
10		Combustion Air Inlet Hood	AS-58599-01H	AS-58599-01H	AS-58599-01H
11		Corner Post	AS-58607-40H	AS-58607-46H	AS-58607-46H
12		Blower Access Panel	AS-58607-09H	AS-58607-47H	AS-58607-47H
13		End Panel	AS-58607-04H	AS-58607-48H	AS-58607-48H
14		Supply Cover - Downflow	AS-58607-06H	AS-58607-06H	AS-58607-06H
14		Supply Cover - Side Option	AS-58607-35H	AS-58607-35H	AS-58607-35H
15		Return Cover - Downflow	AS-58607-05H	AS-58607-05H	AS-58607-05H
15		Return Cover - Side Option	AS-58607-34H	AS-58607-34H	AS-58607-34H
16		Top Panel	AS-58607-67H	AS-58607-67H	AS-58607-67H
17		Grille	95-100906-08	95-100906-08	95-100906-08
18		Filter Access Panel	AS-58607-08H	AS-58607-49H	AS-58607-49H
19		Condenser Louver Panel	AS-58607-61H	AS-58607-56H	AS-58607-56H
20		Center Post	AS-58569-05H	AS-58569-07H	AS-58569-07H
21		Control Access Panel	AS-58607-20H	AS-58607-50H	AS-58607-50H
22		Control Box (w/o components)	AE-58597-01	AE-58597-01	AE-58597-01
23		Control Box Cover	AE-58598-01	AE-58598-01	AE-58598-01
24		Furnace Shelf	AS-58607-11	AS-58607-11	AS-58607-11
25		Burner Floor	AE-58594-01	AE-58594-01	AE-58594-01
26		Exhaust Transition	AS-58607-36	AS-58607-36	AS-58607-36
27		Bulkhead Valve (2)	61-22369-04	61-22369-04	61-22369-04
28		Bulkhead Valve Locknut (2)	63-22368-01	63-22368-01	63-22368-01
		Bulkhead Valve Cap (2)	83-100635-01	83-100635-01	83-100635-01
		Heat Exchanger Tube Support	AE-58590-01	AE-58590-01	AE-58590-01
		Grommet - Gas Supply Piping	56-22114-01	56-22114-01	56-22114-01
A		Star Bushing	45-18515-01	45-18515-01	45-18515-01
B		Nylon Snap Bushing	45-17057-02	45-17057-02	45-17057-02
C		Strain Relief Bushing	45-17055-11	45-17055-11	45-17055-11
D		Neoprene Gasket - 1/8 x 1/2	68-22079-04	68-22079-04	68-22079-04
E		Neoprene Gasket - 1/4 x 1/2	68-22079-06	68-22079-06	68-22079-06
F		Gasket 3/8 x 3/4	68-20243-02	68-20243-02	68-20243-02
G		Gasket 1/2 x 3/4	68-20243-01	68-20243-01	68-20243-01

No.	Notes	MODEL COOLING CAPACITY MAJOR SERIES ELECTRICAL DESIGNATION	RGEA15	RGEA15	RGEA15	RGEA15	RGEA15	
			024 A J	030 A J	036 A J	042 A J	048 A J	
<b>ELECTRICAL GROUP</b>								
31	Stk	Induced Draft Blower w/Gasket	70-23641-01	70-23641-01	70-23641-01	70-23641-01	70-23641-01	
31a	Stk	Gasket - Induced Draft Blower	68-23643-01	68-23643-01	68-23643-01	68-23643-01	68-23643-01	
33	Stk	Contactora	42-102664-06	42-102664-06	42-102664-06	42-102664-06	42-102664-06	
34	Stk	Pressure Switch	42-24335-20	42-24335-20	42-24335-20	42-24335-20	42-24335-20	
35	Stk	Transformer	46-18788-05	46-18788-05	46-18788-05	46-18788-05	46-18788-05	
36		Ground Lug	45-19000-01	45-19000-01	45-19000-01	45-19000-01	45-19000-01	
39		Integrated Furnace Control Board (IFC)	See Gas Controls					
57	Stk	Blower Relay	N/A	N/A	N/A	42-101208-02	42-101208-02	
73		Capacitor - Compressor/Fan	See Compressor Group					
84		Limit Control - Blower Shelf	See Heat Exchanger-Burner Group					
88		Limit Control - Roll Out	See Heat Exchanger-Burner Group					
		Compressor Wiring Harness (Molded Plug)	See Compressor Group					
		Wiring Harness - 9 pin to 9 insulated terminals	AS-102393-02	AS-102393-02	AS-102393-02	AS-102393-02	AS-102393-02	
		Leadwire - from Flame Sensor to 9 pin Wiring Harness Plug	45-25323-02	45-25323-02	45-25323-02	45-25323-02	45-25323-02	
		Capacitor Adaptor Plate (2 in. round capacitor)	AE-54609-01	AE-54609-01	AE-54609-01	AE-54609-01	AE-54609-01	
		Capacitor Adaptor Plate (2 in. X 1-1/4 in. oval capacitor)	AE-54609-02	AE-54609-02	AE-54609-02	AE-54609-02	AE-54609-02	

No.	Notes	MODEL COOLING CAPACITY MAJOR SERIES ELECTRICAL DESIGNATION	RGEA15	RGEA15	RGEA15	RGEA15	RGEA15	
			036 A C	036 A D	042 A C	048 A C	048 A D	
<b>ELECTRICAL GROUP</b>								
31	Stk	Induced Draft Blower w/Gasket	70-23641-01	70-23641-02	70-23641-01	70-23641-01	70-23641-02	
31a	Stk	Gasket - Induced Draft Blower	68-23643-01	68-23643-01	68-23643-01	68-23643-01	68-23643-01	
33	Stk	Contactora	42-102664-08	42-102664-08	42-102664-08	42-102664-08	42-102664-08	
34	Stk	Pressure Switch	42-24335-20	42-24335-20	42-24335-20	42-24335-20	42-24335-20	
35	Stk	Transformer	46-18788-05	46-18788-05	46-18788-05	46-18788-05	46-18788-05	
36		Ground Lug	45-19000-01	45-19000-01	45-19000-01	45-19000-01	45-19000-01	
39		Integrated Furnace Control Board (IFC)	See Gas Controls					
57	Stk	Blower Relay	42-101208-02	42-21571-08	42-101208-02	42-101208-02	42-21571-08	
73		Capacitor - Compressor/Fan	See Compressor Group					
84		Limit Control - Blower Shelf	See Heat Exchanger-Burner Group					
88		Limit Control - Roll Out	See Heat Exchanger-Burner Group					
		Compressor Wiring Harness (Molded Plug)	See Compressor Group					
		Wiring Harness - 9 pin to 9 insulated terminals	AS-102393-02	AS-102393-02	AS-102393-02	AS-102393-02	AS-102393-02	
		Leadwire - from Flame Sensor to 9 pin Wiring Harness Plug	45-25323-02	45-25323-02	45-25323-02	45-25323-02	45-25323-02	
		Capacitor Adaptor Plate (2 in. round capacitor)	AE-54609-01	AE-54609-01	AE-54609-01	AE-54609-01	AE-54609-01	
		Capacitor Adaptor Plate (2 in. X 1-1/4 in. oval capacitor)	AE-54609-02	AE-54609-02	AE-54609-02	AE-54609-02	AE-54609-02	

No.	Notes	MODEL COOLING CAPACITY MAJOR SERIES ELECTRICAL DESIGNATION	RGEA15	RGEA15	RGEA15			
			060 A C	060 A D	060 A J			
<b>ELECTRICAL GROUP</b>								
31	Stk	Induced Draft Blower w/Gasket	70-23641-01	70-23641-02	70-23641-01			
31a	Stk	Gasket - Induced Draft Blower	68-23643-01	68-23643-01	68-23643-01			
32	Stk	Comfort Alert Module	42-101504-05	42-101504-05	42-101504-05			
33	Stk	Contactora	42-102664-08	42-102664-08	42-102664-06			
34	Stk	Pressure Switch	42-24335-20	42-24335-20	42-24335-20			
35	Stk	Transformer	46-18788-05	46-18788-05	46-18788-05			
36		Ground Lug	45-19000-01	45-19000-01	45-19000-01			
39		Integrated Furnace Control Board (IFC)	See Gas Controls					
57	Stk	Blower Relay	42-101208-02	42-21571-08	42-101208-02			
73		Capacitor - Compressor/Fan	See Compressor Group					
84		Limit Control - Blower Shelf	See Heat Exchanger-Burner Group					
88		Limit Control - Roll Out	See Heat Exchanger-Burner Group					
		Compressor Wiring Harness (Molded Plug)	See Compressor Group					
		Wiring Harness - 9 pin to 9 insulated terminals	AS-102393-02	AS-102393-02	AS-102393-02			
		Leadwire - from Flame Sensor to 9 pin Wiring Harness Plug	45-25323-02	45-25323-02	45-25323-02			
		Capacitor Adaptor Plate (2 in. round capacitor)	AE-54609-01	AE-54609-01	AE-54609-01			
		Capacitor Adaptor Plate (2 in. X 1-1/4 in. oval capacitor)	AE-54609-02	AE-54609-02	AE-54609-02			

No.	Notes	MODEL COOLING CAPACITY MAJOR SERIES ELECTRICAL DESIGNATION	RGEA15 024 A J	RGEA15 030 A J	RGEA15 036 A J	RGEA15 042 A J	RGEA15 048 A J	RGEA15 060 A J	
<b>FAN GROUP</b>									
37	Stk	Fan Motor	51-100999-24	51-100999-24	51-100999-24	51-100999-24	51-100998-29	51-100998-29	
38	Stk	Fan Blade	70-101323-19	70-101323-19	70-101323-19	70-101323-19	70-23594-02	70-23594-03	
73		Capacitor - Compressor/Fan Motor	See Compressor Group						

No.	Notes	MODEL COOLING CAPACITY MAJOR SERIES ELECTRICAL DESIGNATION	RGEA15 036 A C	RGEA15 042 A C	RGEA15 048 A C	RGEA15 060 A C	RGEA15 036 A D	RGEA15 048 A D
<b>FAN GROUP</b>								
37	Stk	Fan Motor	51-100999-24	51-100999-24	51-100998-29	51-100998-29	51-100998-26	51-100998-20
38	Stk	Fan Blade	70-101323-19	70-101323-19	70-23594-02	70-23594-03	70-101323-19	70-23594-02
73	Stk	Capacitor - Fan Motor	43-100496-04	43-100496-04	43-100496-12	43-100496-12	43-100496-04	43-100496-39

No.	Notes	MODEL COOLING CAPACITY MAJOR SERIES ELECTRICAL DESIGNATION	RGEA15 060 A D					
<b>FAN GROUP</b>								
37	Stk	Fan Motor	51-100998-20					
38	Stk	Fan Blade	70-23594-03					
73	Stk	Capacitor - Fan Motor	43-100496-39					

No.	Notes	MODEL COOLING CAPACITY MAJOR SERIES ELECTRICAL DESIGNATION DRIVE PACKAGE	RGEA15	RGEA15	RGEA15	RGEA15	RGEA15	
			024 A J T	030 A J T	036 A J T	042 A J T	048 A J T	
<b>BLOWER GROUP</b>								
	Stk	Blower Assembly (Includes items 51-56)	AS-58662-63	AS-58662-65	AS-58662-66	AS-58662-56	AS-58662-68	
51		Housing	AS-58619-02	AS-58619-02	N/A	N/A	N/A	
51		Housing w/Wheel	N/A	N/A	70-100840-02	70-100840-02	70-100840-02	
51a		Transition	N/A	N/A	AE-102207-05	AE-102207-05	AE-102207-05	
51b		Transition - Back	N/A	N/A	AE-102207-06	AE-102207-06	AE-102207-06	
52	Stk	Blower Wheel	70-18625-03	70-18625-03	703016	703016	703016	
53		Cut-Off	AE-64401-06	AE-64401-06	N/A	N/A	N/A	
54	Stk	Blower Motor	51-101879-10	51-101879-11	51-101880-22	51-101920-25	51-101920-27	
54a		Capacitor - Blower Motor	N/A	N/A	N/A	N/A	N/A	
		Motor Mounting Bracket Assembly (includes 55, 56)	AS-53148-03	AS-53148-03	N/A	N/A	N/A	
55		Motor Band	70-19927-01	70-19927-01	70-19927-03	70-19927-03	70-19927-03	
56		Motor Arm Assembly (3)	70-19929-02	70-19929-02	70-19929-09	70-19929-09	70-19929-09	
56a		Hex Washer Screw (3)	63-20072-05	63-20072-05	63-20072-05	63-20072-05	63-20072-05	
57		Blower Relay	See Electrical Group					

No.	Notes	MODEL COOLING CAPACITY MAJOR SERIES ELECTRICAL DESIGNATION DRIVE PACKAGE	RGEA15	RGEA15	RGEA15	RGEA15	RGEA15	
			036 A C T	036 A D T	042 A C T	048 A C T	048 A D T	
<b>BLOWER GROUP</b>								
	Stk	Blower Assembly (Includes items 51-56)	AS-58662-66	AS-58662-67	AS-58662-56	AS-58662-68	AS-58662-69	
51		Housing w/Wheel	70-100840-02	70-100840-02	70-100840-02	70-100840-02	70-100840-02	
51a		Transition	AE-102207-05	AE-102207-05	AE-102207-05	AE-102207-05	AE-102207-05	
51b		Transition - Back	AE-102207-06	AE-102207-06	AE-102207-06	AE-102207-06	AE-102207-06	
52	Stk	Blower Wheel	703016	703016	703016	703016	703016	
53		Cut-Off	N/A	N/A	N/A	N/A	N/A	
54	Stk	Blower Motor	51-101880-22	51-103623-04	51-101920-25	51-101920-27	51-103253-08	
54a		Capacitor - Blower Motor	N/A	N/A	N/A	N/A	N/A	
55		Motor Band	70-19927-03	70-19927-03	70-19927-03	70-19927-03	70-19927-03	
56		Motor Arm Assembly	70-19929-09	70-19929-09	70-19929-09	70-19929-09	70-19929-09	
56a		Hex Washer Screw (3)	63-20072-05	63-20072-05	63-20072-05	63-20072-05	63-20072-05	
57		Blower Relay	See Electrical Group					

No.	Notes	MODEL COOLING CAPACITY MAJOR SERIES ELECTRICAL DESIGNATION DRIVE PACKAGE	RGEA15	RGEA15	RGEA15			
			060 A C T	060 A D T	060 A J T			
<b>BLOWER GROUP</b>								
	Stk	Blower Assembly (Includes items 51-56)	AS-58662-58	AS-58662-62	AS-58662-58			
51		Housing w/Wheel	70-100840-03	70-100840-03	70-100840-03			
51a		Transition	AE-102207-13	AE-102207-13	AE-102207-13			
51b		Transition - Back	AE-102207-14	AE-102207-14	AE-102207-14			
52	Stk	Blower Wheel	PD706266	PD706266	PD706266			
53		Cut-Off	N/A	N/A	N/A			
54	Stk	Blower Motor	51-101984-17	51-103624-09	51-101984-17			
54a		Capacitor - Blower Motor	N/A	N/A	N/A			
55		Motor Band	70-19927-03	70-19927-03	70-19927-03			
56		Motor Arm Assembly	70-19929-09	70-19929-09	70-19929-09			
56a		Hex Washer Screw (3)	63-20072-05	63-20072-05	63-20072-05			
57		Blower Relay	See Electrical Group					



No.	Notes	MODEL COOLING CAPACITY MAJOR SERIES ELECTRICAL DESIGNATION	RGEA15	RGEA15	RGEA15	RGEA15	RGEA15
			024 A J	030 A J	036 A C	036 A D	036 A J
<b>COIL GROUP</b>							
<b>CONDENSER COIL:</b>							
61	Stk	Condenser Coil (Coil Only)	AS-104395-01	AS-104395-02	AS-104395-05	AS-104395-05	AS-104395-05
61b		Pad - Bottom Coil	68-104248-03 (4)	68-104248-03 (4)	68-104248-03 (4)	68-104248-03 (4)	68-104248-03 (4)
61c		Coil Filler Plate (2)	AS-104545-01H	AS-104545-01H	AS-104545-01H	AS-104545-01H	AS-104545-01H
61d		Coil Mount	AE-101781-03	AE-101781-01	AE-101781-01	AE-101781-01	AE-101781-01
		Access Valve Body (2)	61-18542-01	61-18542-01	61-18542-01	61-18542-01	61-18542-01
		Access Valve Core (4)	61-18551-01	61-18551-01	61-18551-01	61-18551-01	61-18551-01
		Bulkhead Valve (2)	61-22369-04	61-22369-04	61-22369-04	61-22369-04	61-22369-04
78	Stk	Filter Drier - Liquid Line	83-22755-05	83-22755-05	83-22755-05	83-22755-05	83-22755-05
<b>EVAPORATOR COIL:</b>							
62	Stk	Evaporator Coil (Coil Only)	65-104387-01	65-104387-01	65-104387-01	65-104387-01	65-104387-01
63		Drain Pan Grommet	56-23601-01	56-23601-01	56-23601-01	56-23601-01	56-23601-01
64	Stk	Drain Pan	68-23602-03	68-23602-03	68-23602-03	68-23602-03	68-23602-03
64a		Water Block-Off	68-104901-01	68-104901-01	68-104901-01	68-104901-01	68-104901-01
64b		Drain Trap (Attached to Drain Pan)	68-23603-01	68-23603-01	68-23603-01	68-23603-01	68-23603-01
		Auxiliary Drain Pipe	82-58611-02	82-58611-02	82-58611-02	82-58611-02	82-58611-02
	Stk	TXV	61-102211-35	61-102211-36	61-102211-37	61-102211-37	61-102211-37
67a		Frame - Coil Back Air Stop	AE-104569-01	AE-104569-01	AE-104569-01	AE-104569-01	AE-104569-01
67b		Frame - Coil Top Air Stop	AE-104571-01	AE-104571-01	AE-104571-01	AE-104571-01	AE-104571-01
68a		Frame - Coil Front Air Stop	AS-104570-01H	AS-104570-01H	AS-104570-01H	AS-104570-01H	AS-104570-01H
68b		Frame - Coil Front Support	AE-104572-01	AE-104572-01	AE-104572-01	AE-104572-01	AE-104572-01

No.	Notes	MODEL COOLING CAPACITY MAJOR SERIES ELECTRICAL DESIGNATION	RGEA15	RGEA15	RGEA15	RGEA15	RGEA15
			042 A C	042 A J	048 A C	048 A D	048 A J
<b>COIL GROUP</b>							
<b>CONDENSER COIL:</b>							
61	Stk	Condenser Coil (Coil Only)	AS-104395-04	AS-104395-04	AS-104395-03	AS-104395-03	AS-104395-03
61b		Pad - Bottom Coil	68-104248-03 (5)	68-104248-03 (5)	68-104248-03 (5)	68-104248-03 (5)	68-104248-03 (5)
61c		Coil Filler Plate (2)	AS-104545-01H	AS-104545-01H	AS-104545-02H	AS-104545-02H	AS-104545-02H
61d		Coil Mount	N/A	N/A	N/A	N/A	N/A
		Access Valve Body (2)	61-18542-01	61-18542-01	61-18542-01	61-18542-01	61-18542-01
		Access Valve Core (4)	61-18551-01	61-18551-01	61-18551-01	61-18551-01	61-18551-01
		Bulkhead Valve (2)	61-22369-04	61-22369-04	61-22369-04	61-22369-04	61-22369-04
78	Stk	Filter Drier - Liquid Line	83-22755-05	83-22755-05	83-22755-05	83-22755-05	83-22755-05
<b>EVAPORATOR COIL:</b>							
62	Stk	Evaporator Coil (Coil Only)	65-104387-01	65-104387-01	65-104387-03	65-104387-03	65-104387-03
63		Drain Pan Grommet	56-23601-01	56-23601-01	56-23601-01	56-23601-01	56-23601-01
64	Stk	Drain Pan	68-23602-03	68-23602-03	68-23602-03	68-23602-03	68-23602-03
64a		Water Block-Off	68-104901-01	68-104901-01	68-104901-01	68-104901-01	68-104901-01
64b		Drain Trap (Attached to Drain Pan)	68-23603-01	68-23603-01	68-23603-01	68-23603-01	68-23603-01
		Auxiliary Drain Pipe	82-58611-02	82-58611-02	82-58611-02	82-58611-02	82-58611-02
	Stk	TXV	61-102211-37	61-102211-37	61-102211-38	61-102211-38	61-102211-38
67a		Frame - Coil Back Air Stop	AE-104569-01	AE-104569-01	AE-104569-02	AE-104569-02	AE-104569-02
67b		Frame - Coil Top Air Stop	AE-104571-01	AE-104571-01	AE-104571-02	AE-104571-02	AE-104571-02
68a		Frame - Coil Front Air Stop	AS-104570-01H	AS-104570-01H	AS-104570-02H	AS-104570-02H	AS-104570-02H
68b		Frame - Coil Front Support	AE-104572-01	AE-104572-01	AE-104572-02	AE-104572-02	AE-104572-02

No.	Notes	MODEL COOLING CAPACITY MAJOR SERIES ELECTRICAL DESIGNATION	RGEA15	RGEA15	RGEA15
			060 A C	060 A D	060 A J
<b>COIL GROUP</b>					
<b>CONDENSER COIL:</b>					
61	Stk	Condenser Coil (Coil Only)	AS-104395-03	AS-104395-03	AS-104395-03
61b		Pad - Bottom Coil	68-104248-03 (5)	68-104248-03 (5)	68-104248-03 (5)
61c		Coil Filler Plate (2)	AS-104545-02H	AS-104545-02H	AS-104545-02H
61d		Coil Mount	N/A	N/A	N/A
		Access Valve Body (2)	61-18542-01	61-18542-01	61-18542-01
		Access Valve Core (4)	61-18551-01	61-18551-01	61-18551-01
		Bulkhead Valve (2)	61-22369-04	61-22369-04	61-22369-04
78	Stk	Filter Drier - Liquid Line	83-22755-05	83-22755-05	83-22755-05
<b>EVAPORATOR COIL:</b>					
62	Stk	Evaporator Coil (Coil Only)	65-104387-03	65-104387-03	65-104387-03
63		Drain Pan Grommet	56-23601-01	56-23601-01	56-23601-01
64	Stk	Drain Pan	68-23602-03	68-23602-03	68-23602-03
64a		Water Block-Off	68-104901-01	68-104901-01	68-104901-01
64b		Drain Trap (Attached to Drain Pan)	68-23603-01	68-23603-01	68-23603-01
		Auxiliary Drain Pipe	82-58611-02	82-58611-02	82-58611-02
	Stk	TXV	61-102211-39	61-102211-39	61-102211-39
67a		Frame - Coil Back Air Stop	AE-104569-02	AE-104569-02	AE-104569-02
67b		Frame - Coil Top Air Stop	AE-104571-02	AE-104571-02	AE-104571-02
68a		Frame - Coil Front Air Stop	AS-104570-02H	AS-104570-02H	AS-104570-02H
68b		Frame - Coil Front Support	AE-104572-02	AE-104572-02	AE-104572-02

No.	Notes	MODEL	RGEA15	RGEA15	RGEA15	RGEA15	RGEA15	RGEA15
		COOLING CAPACITY	024	030	036	042	048	060
		MAJOR SERIES	A	A	A	A	A	A
		ELECTRICAL DESIGNATION	J	J	J	J	J	J
<b>COMPRESSOR GROUP</b>								
		<b>Compressor ID:</b>	<b>8822</b>	<b>8823</b>	<b>8824</b>	<b>8827</b>	<b>8830</b>	<b>8833</b>
71	Stk	Compressor	55-102045-97S	55-102045-31S	55-102045-66S	55-102045-15S	55-102045-06S	55-23156-34S
72		Grommet (4)	56-18518-16	56-18518-16	56-18518-16	56-18518-16	56-18518-06	56-18518-06
73	Stk	Capacitor - Compressor/Fan	43-101665-44	43-101665-26	43-101665-41	43-101665-41	43-101665-48	43-101665-36
74	Stk	Start Capacitor	N/A	N/A	N/A	N/A	N/A	43-17075-04
75	Stk	Start Relay	N/A	N/A	N/A	N/A	N/A	42-100491-26
76		High Pressure Control	47-102290-01	47-102290-01	47-102290-01	47-102290-01	47-102290-01	47-102290-01
77		Low Pressure Control	N/A	N/A	N/A	N/A	N/A	47-101529-09
	Stk	Compressor Wiring Harness (Molded Plug)	45-100834-80	45-100834-80	45-100834-80	45-100834-80	45-100834-80	45-100834-80

No.	Notes	MODEL COOLING CAPACITY MAJOR SERIES ELECTRICAL DESIGNATION	RGEA15 036 A C	RGEA15 042 A C	RGEA15 048 A C	RGEA15 060 A C
<b>COMPRESSOR GROUP</b>						
		<b>Compressor ID:</b>	<b>8825</b>	<b>8828</b>	<b>8831</b>	<b>8834</b>
71	Stk	Compressor	55-102045-90S	55-102045-19S	55-102045-08S	55-23156-43S
72		Grommet (4)	56-18518-16	56-18518-16	56-18518-06	56-18518-06
73	Stk	Capacitor - Fan	See Fan Group			
76		High Pressure Control	47-102290-01	47-102290-01	47-102290-01	47-102290-01
77		Low Pressure Control	N/A	N/A	N/A	47-101529-09
	Stk	Compressor Wiring Harness (Molded Plug)	45-100834-80	45-100834-80	45-100834-80	45-100834-80

No.	Notes	MODEL COOLING CAPACITY MAJOR SERIES ELECTRICAL DESIGNATION		RGEA15 036 A D	RGEA15 048 A D	RGEA15 060 A D
<b>COMPRESSOR GROUP</b>						
		<b>Compressor ID:</b>		<b>8826</b>	<b>8832</b>	<b>8835</b>
71	Stk	Compressor		55-102045-91S	55-102045-07S	55-23156-44S
72		Grommet (4)		56-18518-16	56-18518-06	56-18518-06
73	Stk	Capacitor - Fan	See Fan Group			
76		High Pressure Control		47-102290-01	47-102290-01	47-102290-01
77		Low Pressure Control		N/A	N/A	47-101529-09
	Stk	Compressor Wiring Harness (Molded Plug)		45-100834-80	45-100834-80	45-100834-80

No.	Notes	MODEL COOLING CAPACITY MAJOR SERIES ELECTRICAL DESIGNATION DRIVE PACKAGE HEATING CAPACITY HEAT CONFIGURATION	RGEA15	RGEA15	RGEA15	RGEA15	RGEA15	RGEA15	RGEA15
			024 A J T 04 1,X	024 A J T 06 1,X	030 A J T 06 1,X	030 A J T 08 1,X	036 A J T 06 1,X	036 A J T 08 1,X	036 A J T 10 1,X
<b>HEAT EXCHANGER, BURNER / MANIFOLD</b>									
81	Stk	Heat Exchanger (Includes Center Panel and Turbulators)	AS-58632-01	AS-58632-02	AS-58632-02	AS-58632-03	AS-58632-02	AS-58632-03	AS-58632-04
82		Turbulators	AE-58591-02 (2)	AE-58591-02 (3)	AE-58591-02 (3)	AE-58591-02 (4)	AE-58591-02 (3)	AE-58591-02 (4)	AE-58591-02 (5)
83		Collector Box	AE-58588-01	AE-58588-01	AE-58588-01	AE-58588-01	AE-58588-01	AE-58588-01	AE-58588-01
83a		Collector Box Gasket	68-23644-01	68-23644-01	68-23644-01	68-23644-01	68-23644-01	68-23644-01	68-23644-01
84	Stk	Limit Control - Blower Shelf	47-102436-01	47-102436-01	47-102436-01	47-102436-06	47-102436-01	47-102436-06	47-102436-06
85		NOX Insert Assembly	75-23684-01 (2)	75-23684-01 (3)	75-23684-01 (3)	75-23684-01 (4)	75-23684-01 (3)	75-23684-01 (4)	75-23684-01 (5)
86		Lower Burner Shield (NOX)	AE-59148-01	AE-59148-01	AE-59148-01	AE-59148-01	AE-59148-01	AE-59148-01	AE-59148-01
87		Radiation Shield	AE-58595-01	AE-58595-01	AE-58595-01	AE-58595-01	AE-58595-01	AE-58595-01	AE-58595-01
88	Stk,3	Limit - Manual Reset (Burner Compartment)	47-22861-02	47-22861-02	47-22861-02	47-22861-02	47-22861-02	47-22861-02	47-22861-02
89	Stk,3	Burner Assembly (One-piece)	AS-60993-02	AS-60993-03	AS-60993-03	AS-60993-04	AS-60993-03	AS-60993-04	AS-60993-05
90	3	Burner Support Bracket (2)	AE-61588-02	AE-61588-02	AE-61588-02	AE-61588-02	AE-61588-02	AE-61588-02	AE-61588-02
91	3	Burner Support - (Holds Burners between Burner Support Brackets)	AE-102438-01	AE-102438-01	AE-102438-01	AE-102438-01	AE-102438-01	AE-102438-01	AE-102438-01
92		Manifold Assembly	81-101154-01	81-101154-01	81-101154-01	81-101154-01	81-101154-01	81-101154-01	81-101154-01
93		Burner Orifice - Natural Gas	See Orifice Selection Chart						
93		Burner Orifice - LP	See Orifice Selection Chart						
93		Number of Orifices	(2)	(3)	(3)	(4)	(3)	(4)	(5)
94		Square Head Plug (Used on Manifold to plug extra holes)	81-23593-01 (3)	81-23593-01 (2)	81-23593-01 (2)	81-23593-01 (1)	81-23593-01 (2)	81-23593-01 (1)	N/A
95	Stk	Flame Sensor	62-23543-02	62-23543-02	62-23543-02	62-23543-02	62-23543-02	62-23543-02	62-23543-02
96	Stk	Ignition Electrode/Cable Assembly	62-23556-01	62-23556-01	62-23556-01	62-23556-01	62-23556-01	62-23556-01	62-23556-01
97	3	Bushing	45-42519-01	45-42519-01	45-42519-01	45-42519-01	45-42519-01	45-42519-01	45-42519-01

No.	Notes	MODEL COOLING CAPACITY MAJOR SERIES ELECTRICAL DESIGNATION DRIVE PACKAGE HEATING CAPACITY HEAT CONFIGURATION	RGEA15	RGEA15	RGEA15	RGEA15	RGEA15	RGEA15	
			036 A C T 06 1	036 A C T 08 1	036 A C T 10 1	036 A D T 06 1	036 A D T 08 1	036 A D T 10 1	
<b>HEAT EXCHANGER, BURNER / MANIFOLD</b>									
81	Stk	Heat Exchanger (Includes Center Panel and Turbulators)	AS-58632-02	AS-58632-03	AS-58632-04	AS-58632-02	AS-58632-03	AS-58632-04	
82		Turbulators	AE-58591-02 (3)	AE-58591-02 (4)	AE-58591-02 (5)	AE-58591-02 (3)	AE-58591-02 (4)	AE-58591-02 (5)	
83		Collector Box	AE-58588-01	AE-58588-01	AE-58588-01	AE-58588-01	AE-58588-01	AE-58588-01	
83a		Collector Box Gasket	68-23644-01	68-23644-01	68-23644-01	68-23644-01	68-23644-01	68-23644-01	
84	Stk	Limit Control - Blower Shelf	47-102436-01	47-102436-06	47-102436-06	47-102436-01	47-102436-06	47-102436-06	
85		NOX Insert Assembly	N/A	N/A	N/A	N/A	N/A	N/A	
86		Lower Burner Shield (NOX)	N/A	N/A	N/A	N/A	N/A	N/A	
87		Radiation Shield	AE-58595-01	AE-58595-01	AE-58595-01	AE-58595-01	AE-58595-01	AE-58595-01	
88	Stk,3	Limit - Manual Reset (Burner Compartment)	47-22861-02	47-22861-02	47-22861-02	47-22861-02	47-22861-02	47-22861-02	
89	Stk,3	Burner Assembly (One-piece)	AS-60993-03	AS-60993-04	AS-60993-05	AS-60993-03	AS-60993-04	AS-60993-05	
90	3	Burner Support Bracket (2)	AE-61588-02	AE-61588-02	AE-61588-02	AE-61588-02	AE-61588-02	AE-61588-02	
91	3	Burner Support - (Holds Burners between Burner Support Brackets)	AE-102438-01	AE-102438-01	AE-102438-01	AE-102438-01	AE-102438-01	AE-102438-01	
92		Manifold Assembly	81-101154-01	81-101154-01	81-101154-01	81-101154-01	81-101154-01	81-101154-01	
93		Burner Orifice - Natural Gas	See Orifice Selection Chart						
93		Burner Orifice - LP	See Orifice Selection Chart						
93		Number of Orifices	(3)	(4)	(5)	(3)	(4)	(5)	
94		Square Head Plug (Used on Manifold to plug extra holes)	81-23593-01 (2)	81-23593-01 (1)	N/A	81-23593-01 (2)	81-23593-01 (1)	N/A	
95	Stk	Flame Sensor	62-23543-02	62-23543-02	62-23543-02	62-23543-02	62-23543-02	62-23543-02	
96	Stk	Ignition Electrode/Cable Assembly	62-23556-01	62-23556-01	62-23556-01	62-23556-01	62-23556-01	62-23556-01	
97	3	Bushing	45-42519-01	45-42519-01	45-42519-01	45-42519-01	45-42519-01	45-42519-01	

No.	Notes	MODEL COOLING CAPACITY MAJOR SERIES ELECTRICAL DESIGNATION DRIVE PACKAGE HEATING CAPACITY HEAT CONFIGURATION	RGEA15	RGEA15	RGEA15	RGEA15	RGEA15	RGEA15
			042 A J T 08 1,X	042 A J T 10 1,X	042 A C T 08 1	042 A C T 10 1	048 A J T 08 1,X	048 A J T 10 1,X
<b>HEAT EXCHANGER, BURNER / MANIFOLD</b>								
81	Stk	Heat Exchanger (Includes Center Panel and Turbulators)	AS-58632-03	AS-58632-04	AS-58632-03	AS-58632-04	AS-58632-03	AS-58632-04
81a		Extension Panel (w/insulation)	N/A	N/A	N/A	N/A	AS-58607-42	AS-58607-42
82		Turbulators	AE-58591-02 (4)	AE-58591-02 (5)	AE-58591-02 (4)	AE-58591-02 (5)	AE-58591-02 (4)	AE-58591-02 (5)
83		Collector Box	AE-58588-01	AE-58588-01	AE-58588-01	AE-58588-01	AE-58588-01	AE-58588-01
83a		Collector Box Gasket	68-23644-01	68-23644-01	68-23644-01	68-23644-01	68-23644-01	68-23644-01
84	Stk	Limit Control - Blower Shelf	47-102436-06	47-102436-06	47-102436-06	47-102436-06	47-102436-06	47-102436-06
85		NOX Insert Assembly	75-23684-01 (4)	75-23684-01 (5)	N/A	N/A	75-23684-01 (4)	75-23684-01 (5)
86		Lower Burner Shield (NOX)	AE-59148-01	AE-59148-01	N/A	N/A	AE-59148-01	AE-59148-01
87		Radiation Shield	AE-58595-01	AE-58595-01	AE-58595-01	AE-58595-01	AE-58595-01	AE-58595-01
88	Stk,3	Limit - Manual Reset (Burner Compartment)	47-22861-02	47-22861-02	47-22861-02	47-22861-02	47-22861-02	47-22861-02
89	Stk,3	Burner Assembly (One-piece)	AS-60993-04	AS-60993-05	AS-60993-04	AS-60993-05	AS-60993-04	AS-60993-05
90	3	Burner Support Bracket (2)	AE-61588-02	AE-61588-02	AE-61588-02	AE-61588-02	AE-61588-02	AE-61588-02
91	3	Burner Support - (Holds Burners between Burner Support Brackets)	AE-102438-01	AE-102438-01	AE-102438-01	AE-102438-01	AE-102438-01	AE-102438-01
92		Manifold Assembly	81-101154-01	81-101154-01	81-101154-01	81-101154-01	81-101154-01	81-101154-01
93		Burner Orifice - Natural Gas	See Orifice Selection Chart					
93		Burner Orifice - LP	See Orifice Selection Chart					
93		Number of Orifices	(4)	(5)	(4)	(5)	(4)	(5)
94		Square Head Plug (Used on Manifold to plug extra holes)	81-23593-01 (1)	N/A	81-23593-01 (1)	N/A	81-23593-01 (1)	N/A
95	Stk	Flame Sensor	62-23543-02	62-23543-02	62-23543-02	62-23543-02	62-23543-02	62-23543-02
96	Stk	Ignition Electrode/Cable Assembly	62-23556-01	62-23556-01	62-23556-01	62-23556-01	62-23556-01	62-23556-01
97	3	Bushing	45-42519-01	45-42519-01	45-42519-01	45-42519-01	45-42519-01	45-42519-01

No.	Notes	MODEL COOLING CAPACITY MAJOR SERIES ELECTRICAL DESIGNATION DRIVE PACKAGE HEATING CAPACITY HEAT CONFIGURATION	RGEA15	RGEA15	RGEA15	RGEA15	RGEA15	RGEA15
			048 A C T 08 1	048 A C T 10 1	048 A D T 10 1	060 A J T 10 1,X	060 A C T 10 1	060 A D T 10 1
<b>HEAT EXCHANGER, BURNER / MANIFOLD</b>								
81	Stk	Heat Exchanger (Includes Center Panel and Turbulators)	AS-58632-03	AS-58632-04	AS-58632-04	AS-58632-04	AS-58632-04	AS-58632-04
81a		Extension Panel Extension (w/insulation)	AS-58607-42	AS-58607-42	AS-58607-42	AS-58607-42	AS-58607-42	AS-58607-42
82		Turbulators	AE-58591-02 (4)	AE-58591-02 (5)	AE-58591-02 (5)	AE-58591-02 (5)	AE-58591-02 (5)	AE-58591-02 (5)
83		Collector Box	AE-58588-01	AE-58588-01	AE-58588-01	AE-58588-01	AE-58588-01	AE-58588-01
83a		Collector Box Gasket	68-23644-01	68-23644-01	68-23644-01	68-23644-01	68-23644-01	68-23644-01
84	Stk	Limit Control - Blower Shelf	47-102436-06	47-102436-04	47-102436-04	47-102436-07	47-102436-07	47-102436-07
85		NOX Insert Assembly	N/A	N/A	N/A	75-23684-01 (5)	N/A	N/A
86		Lower Burner Shield (NOX)	N/A	N/A	N/A	AE-59148-01	N/A	N/A
87		Radiation Shield	AE-58595-01	AE-58595-01	AE-58595-01	AE-58595-01	AE-58595-01	AE-58595-01
88	Stk,3	Limit - Manual Reset (Burner Compartment)	47-22861-02	47-22861-02	47-22861-02	47-22861-02	47-22861-02	47-22861-02
89	Stk,3	Burner Assembly (One-piece)	AS-60993-04	AS-60993-05	AS-60993-05	AS-60993-05	AS-60993-05	AS-60993-05
90	3	Burner Support Bracket (2)	AE-61588-02	AE-61588-02	AE-61588-02	AE-61588-02	AE-61588-02	AE-61588-02
91	3	Burner Support - (Holds Burners between Burner Support Brackets)	AE-102438-01	AE-102438-01	AE-102438-01	AE-102438-01	AE-102438-01	AE-102438-01
92		Manifold Assembly	81-101154-01	81-101154-01	81-101154-01	81-101154-01	81-101154-01	81-101154-01
93		Burner Orifice - Natural Gas	See Orifice Selection Chart					
93		Burner Orifice - LP	See Orifice Selection Chart					
93		Number of Orifices	(4)	(5)	(5)	(5)	(5)	(5)
94		Square Head Plug (Used on Manifold to plug extra holes)	81-23593-01 (1)	N/A	N/A	N/A	N/A	N/A
95	Stk	Flame Sensor	62-23543-02	62-23543-02	62-23543-02	62-23543-02	62-23543-02	62-23543-02
96	Stk	Ignition Electrode/Cable Assembly	62-23556-01	62-23556-01	62-23556-01	62-23556-01	62-23556-01	62-23556-01
97	3	Bushing	45-42519-01	45-42519-01	45-42519-01	45-42519-01	45-42519-01	45-42519-01

No.	Notes	MODEL MAJOR SERIES GAS CODE	RGEA15 B 2G
<b>GAS CONTROLS</b>			
39	Stk	Integrated Furnace Control Board (IFC)	62-23599-04
40	Stk	Gas Valve - Natural Gas	60-100394-02
	Stk,1	Gas Valve - LP	See Note 1
	Stk	LP Conversion Kit	EP-85H

No.	Notes	MODEL VARIATIONS	RGEA15 ALL
<b>OPTIONS AND ACCESSORIES</b>			
		Economizer - Downflow, 3 Position	AXRE-CAA30
		Economizer - Downflow, Fully Modulating	AXRD-CAM10
		Economizer - Horizontal, 3 Position	AXRE-CCA30
		Economizer - Horizontal, Fully Modulating	AXRD-CCM10
		Fresh Air Damper - Fixed, 35%	AXRF-FAA1
		Fresh Air Damper - Motorized, 35%	AXRF-FAB1
		Low Ambient Control	RXRZ-B01
76		High Pressure Control	RXAB-E01
77		Low Pressure Control	RXAC-C01

**PACKAGE EQUIPMENT - ORIFICE SELECTION CHART - NATURAL GAS**

**CAUTION:** Selection of the correct Natural Gas Orifice requires the following information for the specific installation:

- 1) Furnace Input Rating (BTU/HR)
- 2) Number of Burners
- 2) Altitude (ft.)

For detailed information and instructions for Orifice selection, see the Gas Furnace LP Conversion Kit Index 92-21519-47 and the latest edition of the National Fuel Gas Code Handbook, or the National Standard of Canada, Natural Gas and Propane Installation Code, CAN B149.1.

**CAUTION:** This information is provided for replacement purposes only. Conversion for operation at High Altitude must be done using the kit specified on the product specification sheet for the unit.

NOTE: This Orifice sizing chart is based on a Natural Gas heating value of 1075 BTU/cu. ft and a pressure setting of 3.5 in. water column.

NOTE: Factory installed orifices are calculated and sized based on a Natural Gas heating value of 1075 BTU/cu. ft. and an elevation of 0 - 2000 ft.

Furnace Input Rating (BTU/HR)	Canadian High Altitude Derated Input (BTU/HR)	Number of Burners	Elevation (ft.)					
			Country					
			0 - 2000 U.S.	2001 - 4000 U.S.	4001 - 6000 U.S.	8000+ U.S.	0 - 2000 Canada	2001 - 4500 Canada
40,000	36,000	2	62-22175-45	62-22175-47	62-22175-48	62-22175-49	62-22175-45	62-22175-15
60,000	54,000	3	62-22175-45	62-22175-47	62-22175-48	62-22175-49	62-22175-45	62-22175-15
72,000	N/A	4	62-22175-15	62-22175-49	62-22175-50	62-22175-51	62-22175-15	N/A
80,000	72,000	4	62-22175-45	62-22175-47	62-22175-48	62-22175-49	62-22175-45	62-22175-15
90,000	N/A	5	62-22175-15	62-22175-49	62-22175-50	62-22175-51	62-22175-15	N/A
100,000	90,000	5	62-22175-45	62-22175-47	62-22175-48	62-22175-49	62-22175-45	62-22175-15
120,000	108,000	6	62-22175-45	62-22175-47	62-22175-48	62-22175-49	62-22175-45	62-22175-15
135,000	121,500	6	62-22175-44	62-22175-45	62-22175-47	62-22175-48	62-22175-44	62-22175-45
150,000	135,000	6	62-22175-42	62-22175-43	62-22175-44	62-22175-45	62-22175-42	62-22175-44
180,000	N/A	9	62-22175-45	62-22175-47	62-22175-48	62-22175-49	62-22175-45	N/A
210,000	N/A	9	62-22175-43	62-22175-44	62-22175-45	62-22175-47	62-22175-43	N/A
210,000	N/A	10	62-22175-45	62-22175-47	62-22175-48	62-22175-49	62-22175-45	N/A
225,000	202,500	9	62-22175-42	62-22175-43	62-22175-44	62-22175-45	62-22175-42	62-22175-44
250,000	225,000	10	62-22175-42	62-22175-43	62-22175-44	62-22175-45	62-22175-42	62-22175-44
252,000	225,000	9	62-22175-40	62-22175-42	62-22175-43	62-22175-44	62-22175-40	62-22175-42
252,000	N/A	12	62-22175-45	62-22175-47	62-22175-48	62-22175-49	62-22175-45	N/A
290,000	N/A	14	62-22175-45	62-22175-47	62-22175-48	62-22175-49	62-22175-45	N/A
300,000	270,000	12	62-22175-42	62-22175-43	62-22175-44	62-22175-45	62-22175-42	62-22175-44
330,000	N/A	14	62-22175-43	62-22175-44	62-22175-45	62-22175-47	62-22175-43	N/A
350,000	315,000	14	62-22175-42	62-22175-43	62-22175-44	62-22175-45	62-22175-42	62-22175-44
400,000	360,000	14	62-22175-40	62-22175-42	62-22175-43	62-22175-44	62-22175-40	62-22175-42

**PACKAGE EQUIPMENT - ORIFICE SELECTION CHART - LP**

**CAUTION:** Selection of the correct LP Orifice requires the following information for the specific installation:

- 1) Furnace Input Rating (BTU/HR)
- 2) Number of Burners
- 2) Altitude (ft.)

For detailed information and instructions for Orifice selection, see the Gas Furnace LP Conversion Kit Index 92-21519-47 and the latest edition of the National Fuel Gas Code Handbook, or the National Standard of Canada, Natural Gas and Propane Installation Code, CAN B149.1.

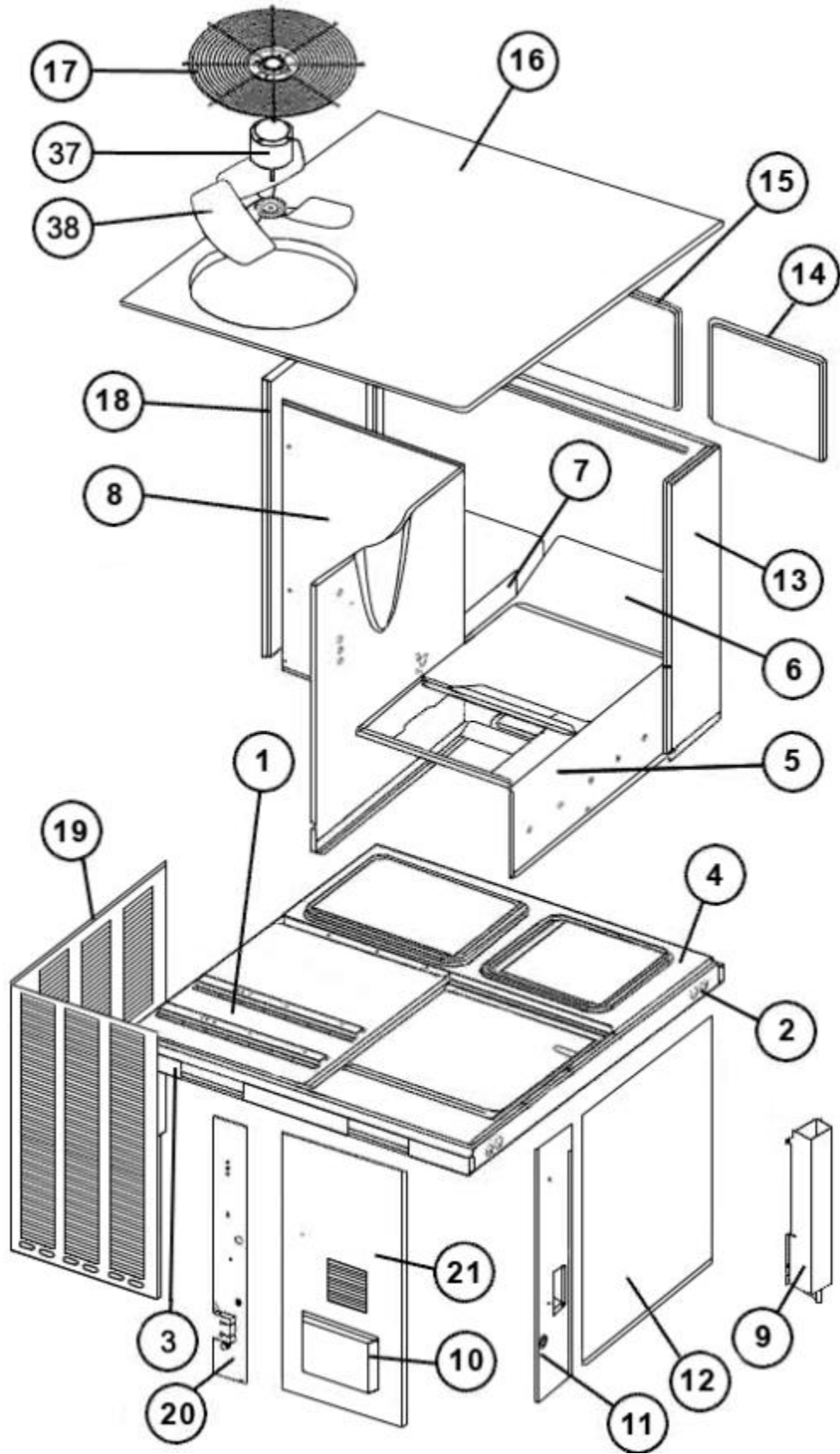
**CAUTION:** This information is provided for replacement purposes only. Conversion to LP or for operation at High Altitude should be done using the kit(s) specified on the product specification sheet for the unit.

NOTE: This Orifice sizing chart is developed using the specified pressure setting of 10 in. water column instead of the 11.0 in water column used by the NFG and CANB149.1.

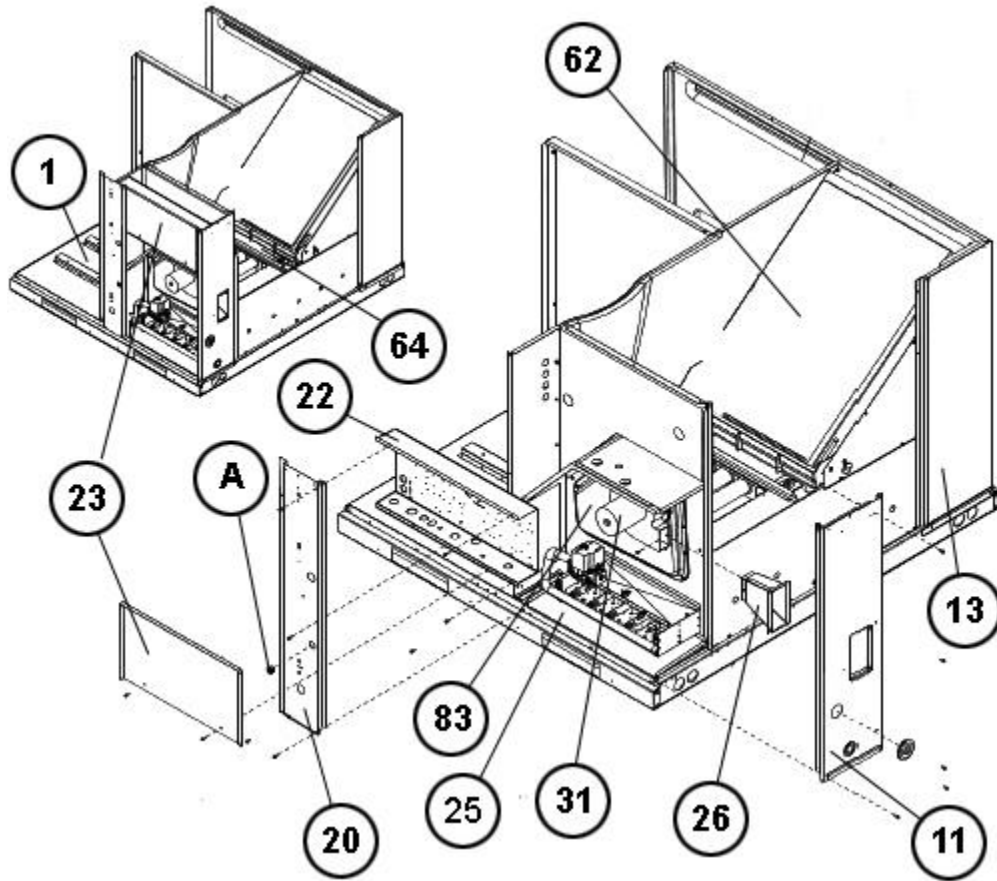
NOTE: Orifices supplied in the LP Conversion Kit are calculated and sized based on a heating value of 2500 BTU/cu. ft. and an elevation of 0 - 2000 ft.

Furnace Input Rating (BTU/HR)	Canadian High Altitude Derated Input (BTU/HR)	Number of Burners	Elevation (ft.)					
			Country					
			0 - 2000 U.S.	2001 - 4000 U.S.	4001 - 6000 U.S.	8000+ U.S.	0 - 2000 Canada	2001 - 4500 Canada
40,000	36,000	2	62-22175-55	62-22175-55	62-22175-56	62-22175-56	62-22175-55	62-22175-13
60,000	54,000	3	62-22175-55	62-22175-55	62-22175-56	62-22175-56	62-22175-55	62-22175-13
72,000	N/A	4	62-22175-13	62-22175-57	62-22175-57	62-22175-59	62-22175-13	N/A
80,000	72,000	4	62-22175-55	62-22175-55	62-22175-56	62-22175-56	62-22175-55	62-22175-13
90,000	N/A	5	62-22175-13	62-22175-57	62-22175-57	62-22175-59	62-22175-13	N/A
100,000	90,000	5	62-22175-55	62-22175-55	62-22175-56	62-22175-56	62-22175-55	62-22175-13
120,000	108,000	6	62-22175-55	62-22175-55	62-22175-56	62-22175-56	62-22175-55	62-22175-13
135,000	121,500	6	62-22175-54	62-22175-55	62-22175-55	62-22175-56	62-22175-54	62-22175-55
150,000	135,000	6	62-22175-54	62-22175-55	62-22175-55	62-22175-56	62-22175-54	62-22175-54
180,000	N/A	9	62-22175-55	62-22175-55	62-22175-56	62-22175-56	62-22175-55	N/A
210,000	N/A	9	62-22175-54	62-22175-55	62-22175-55	62-22175-56	62-22175-54	N/A
210,000	N/A	10	62-22175-55	62-22175-55	62-22175-56	62-22175-56	62-22175-55	N/A
225,000	202,500	9	62-22175-54	62-22175-55	62-22175-55	62-22175-56	62-22175-54	62-22175-54
250,000	225,000	10	62-22175-54	62-22175-55	62-22175-55	62-22175-56	62-22175-54	62-22175-54
252,000	225,000	9	62-22175-53	62-22175-54	62-22175-54	62-22175-55	62-22175-53	62-22175-54
252,000	N/A	12	62-22175-55	62-22175-55	62-22175-56	62-22175-56	62-22175-55	N/A
290,000	N/A	14	62-22175-55	62-22175-55	62-22175-56	62-22175-56	62-22175-55	N/A
300,000	270,000	12	62-22175-54	62-22175-55	62-22175-55	62-22175-56	62-22175-54	62-22175-54
330,000	N/A	14	62-22175-54	62-22175-55	62-22175-55	62-22175-56	62-22175-54	N/A
350,000	315,000	14	62-22175-54	62-22175-55	62-22175-55	62-22175-56	62-22175-54	62-22175-54
400,000	360,000	14	62-22175-53	62-22175-54	62-22175-54	62-22175-55	62-22175-53	62-22175-54

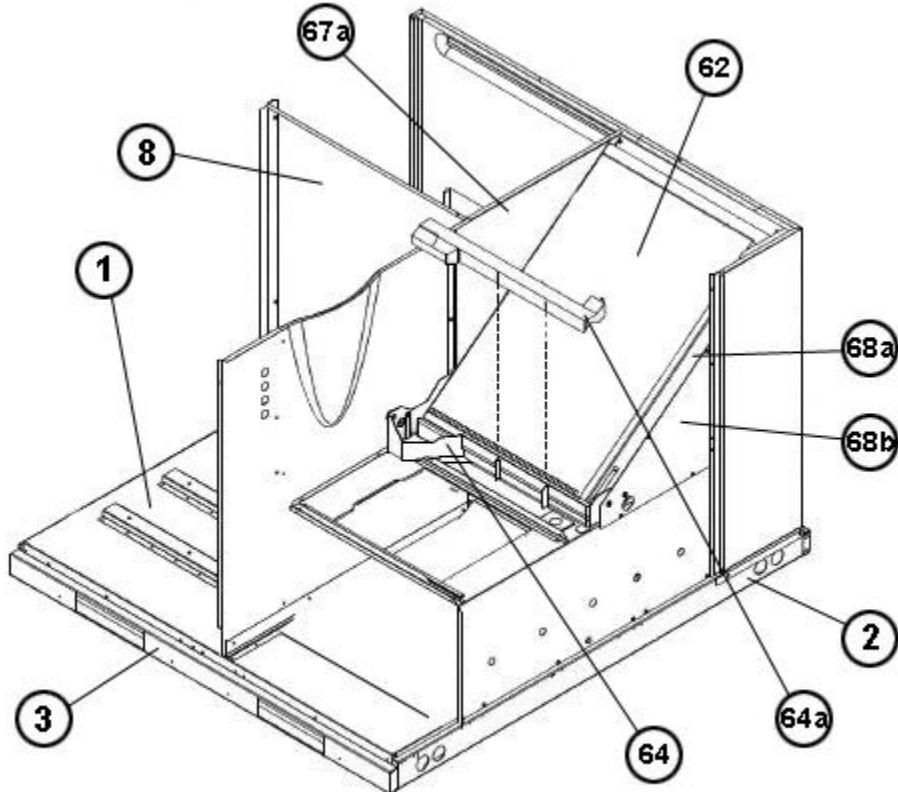




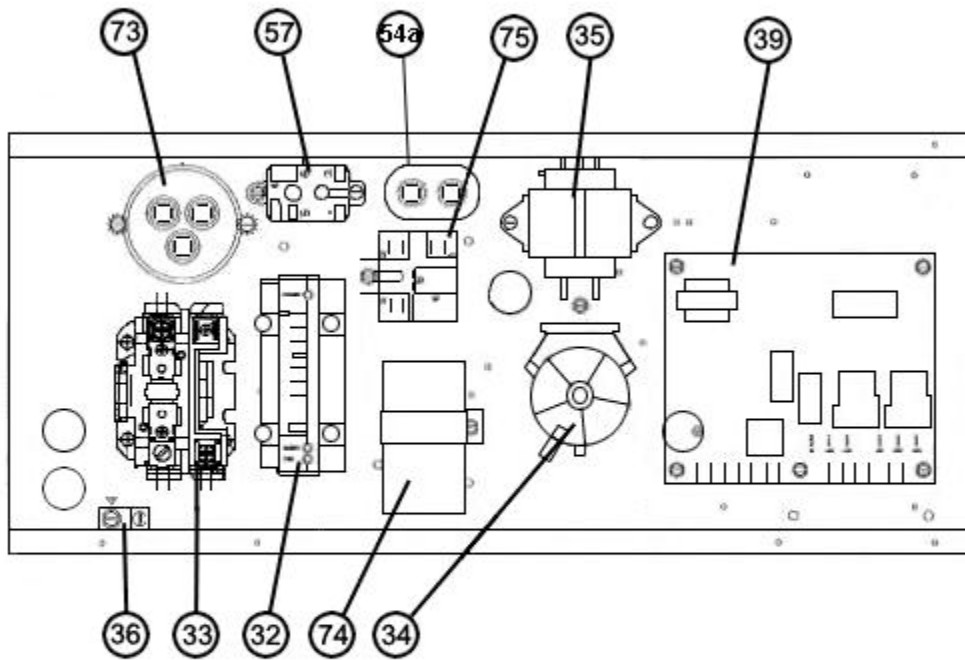
Exploded View



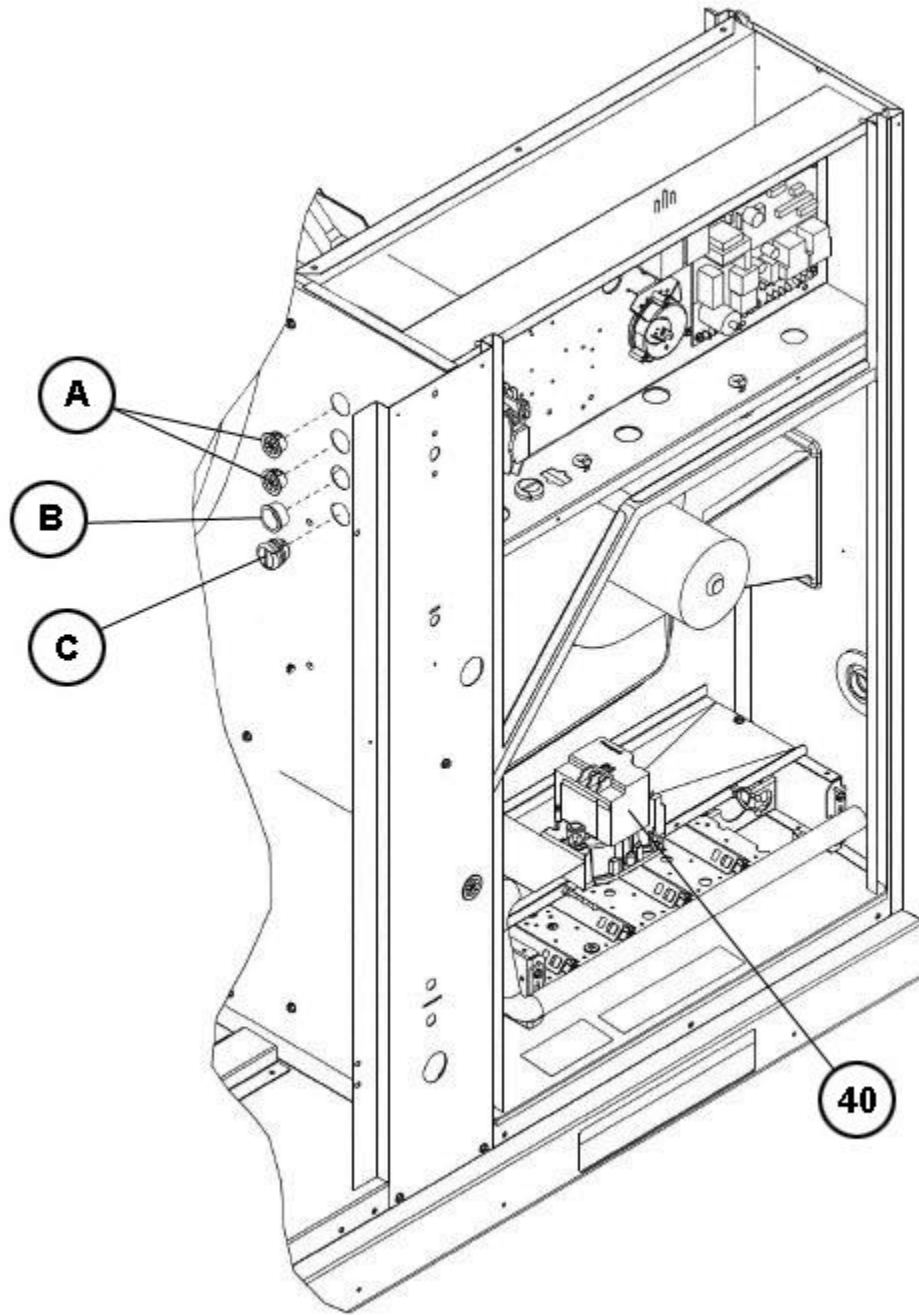
Control Access Panel, Evap Coil



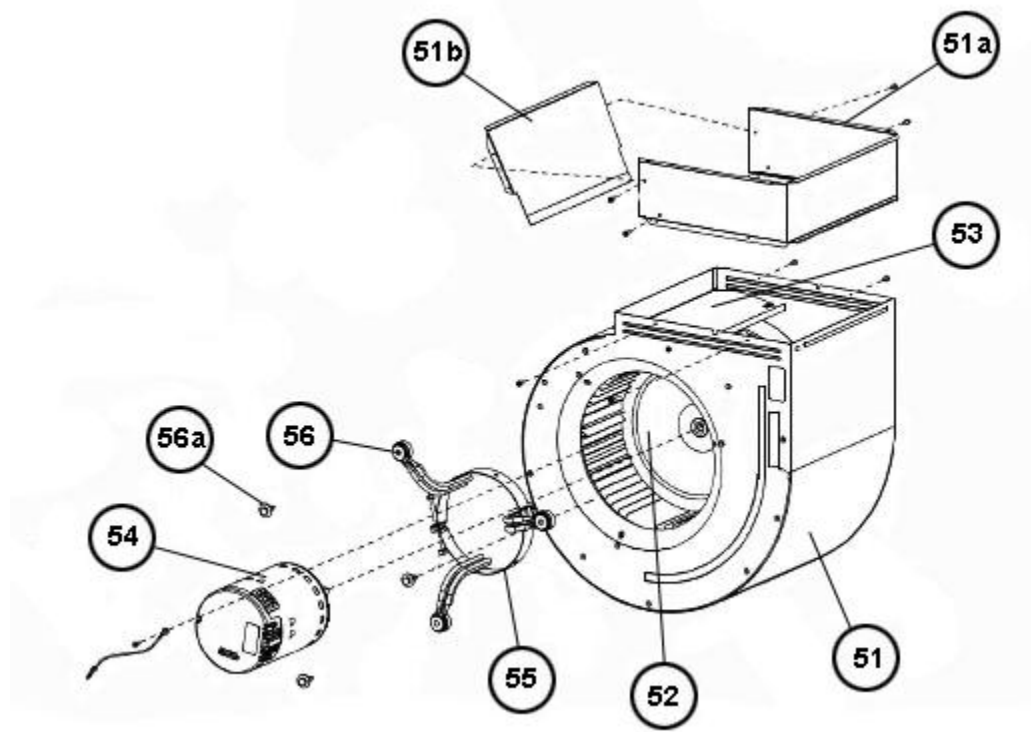
Evaporator Coil



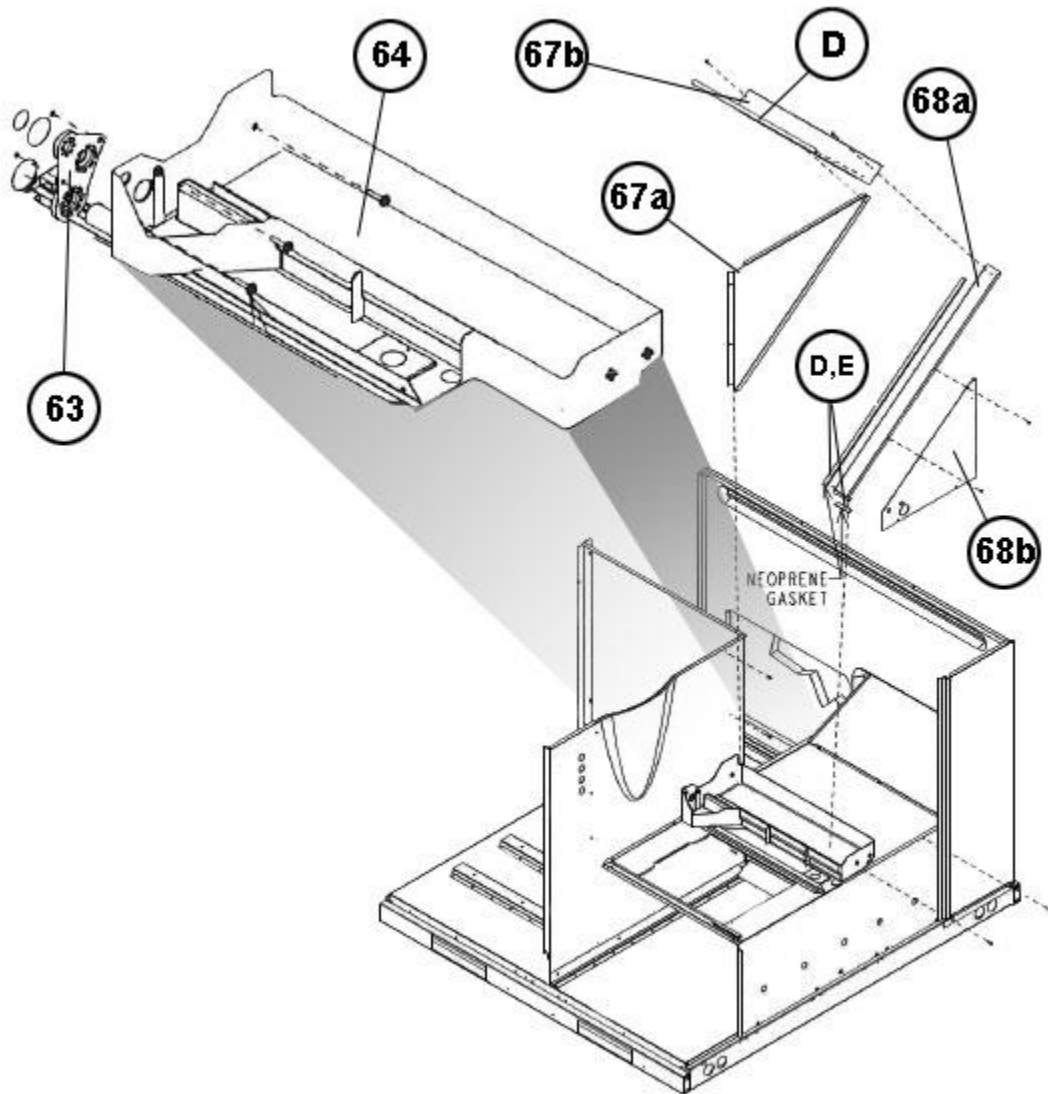
Electrical Control Box



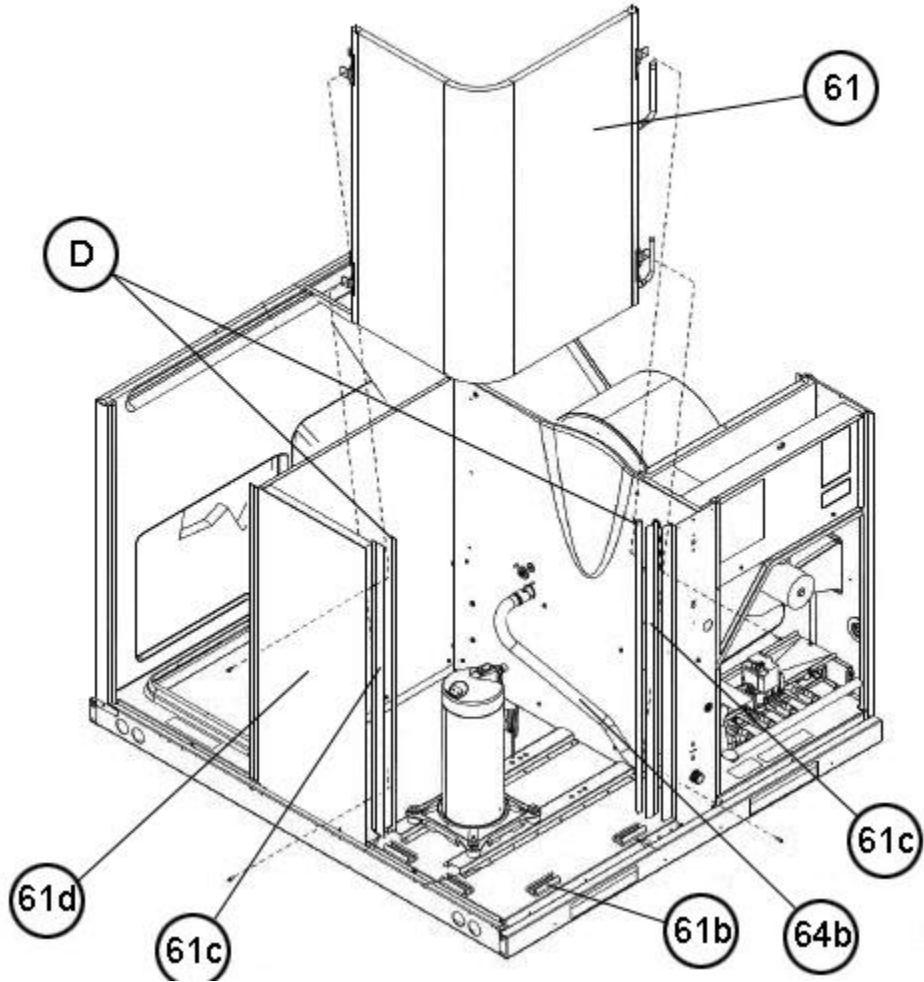
Bushings - Bulkhead Wiring



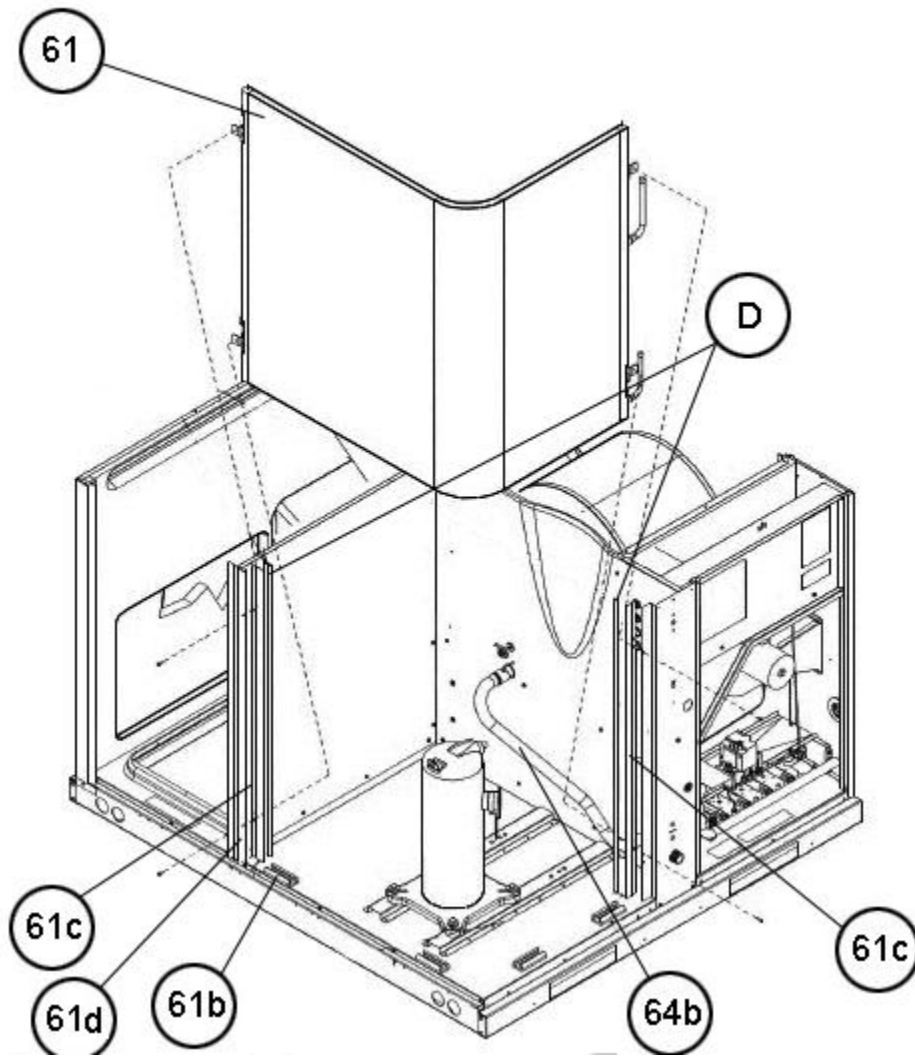
Blower Assembly



Coil Frames, Drainpan

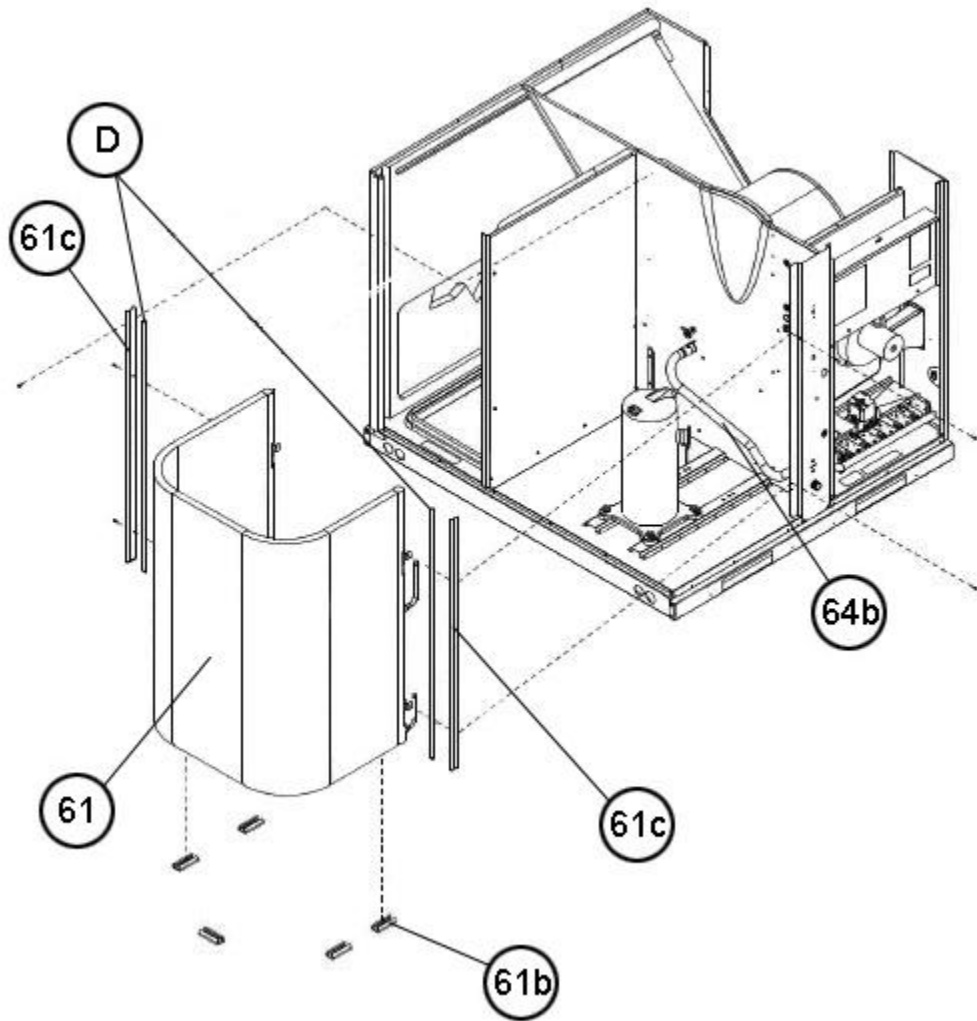


Condenser Coil 2 Ton

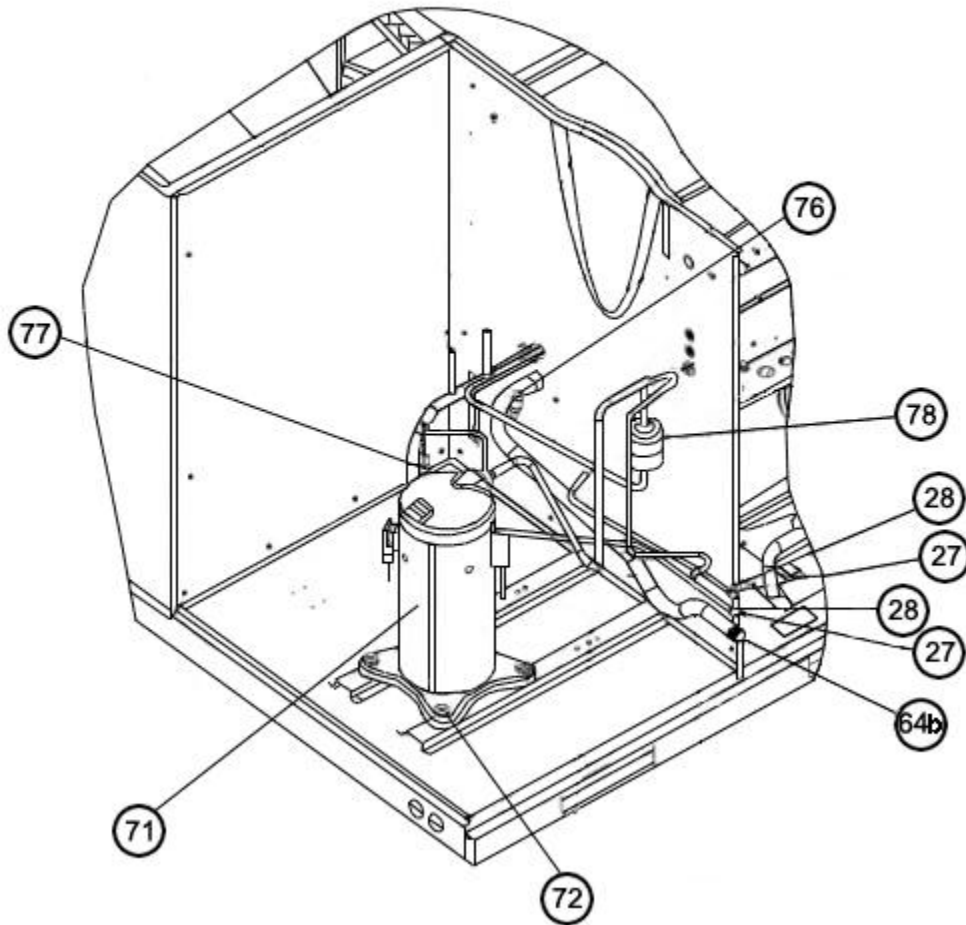


Condenser Coil 2.5 - 3 Ton

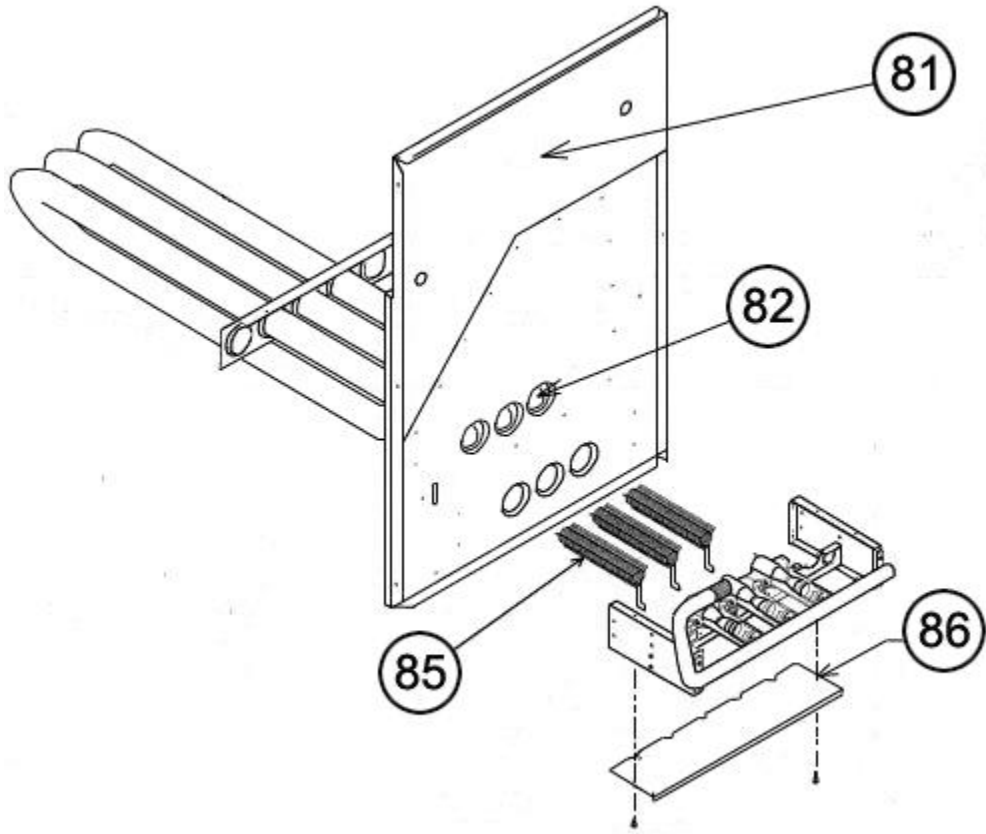




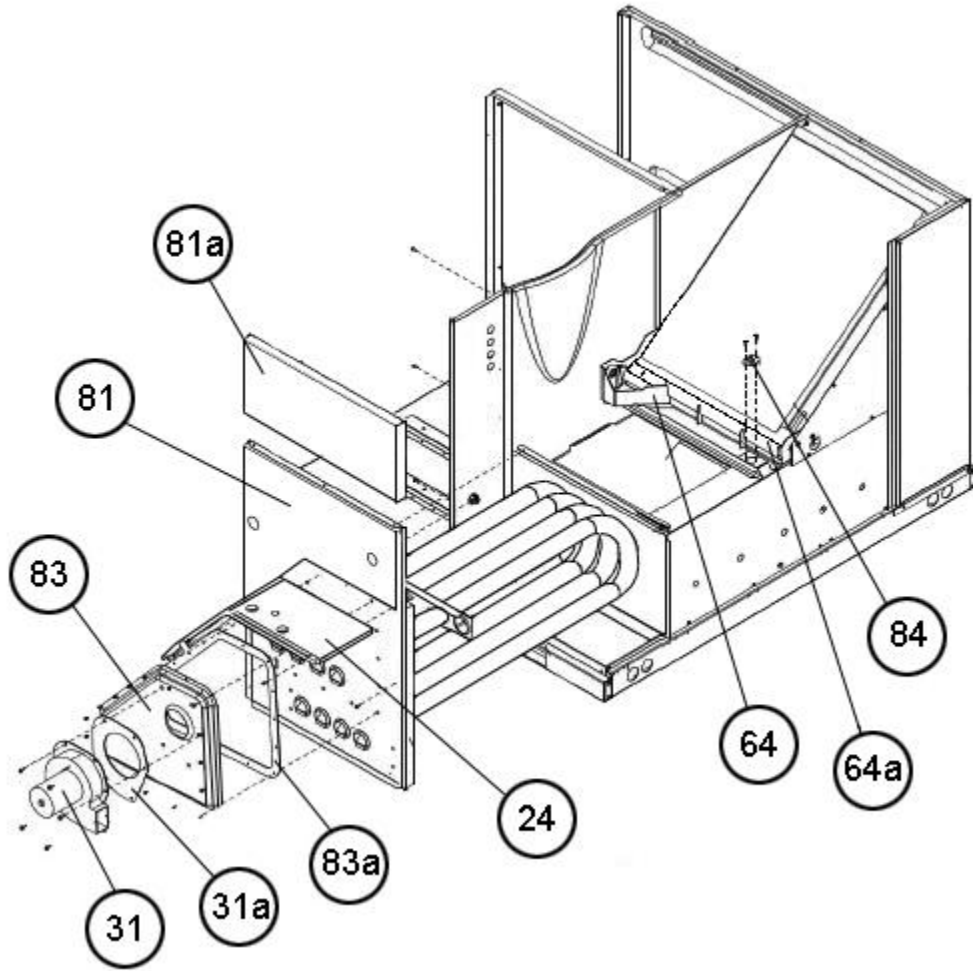
Condenser Coil 3.5 - 4 - 5 Ton



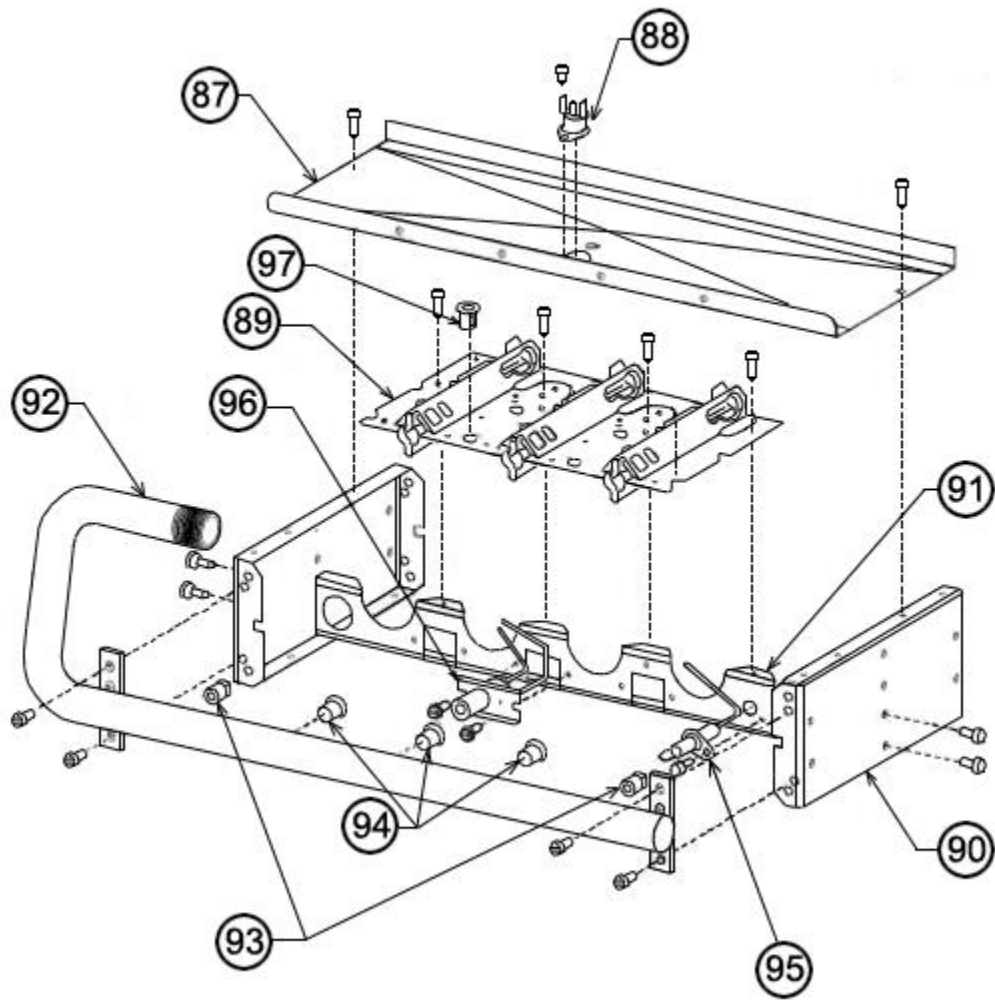
Compressor and Refrigeration Components



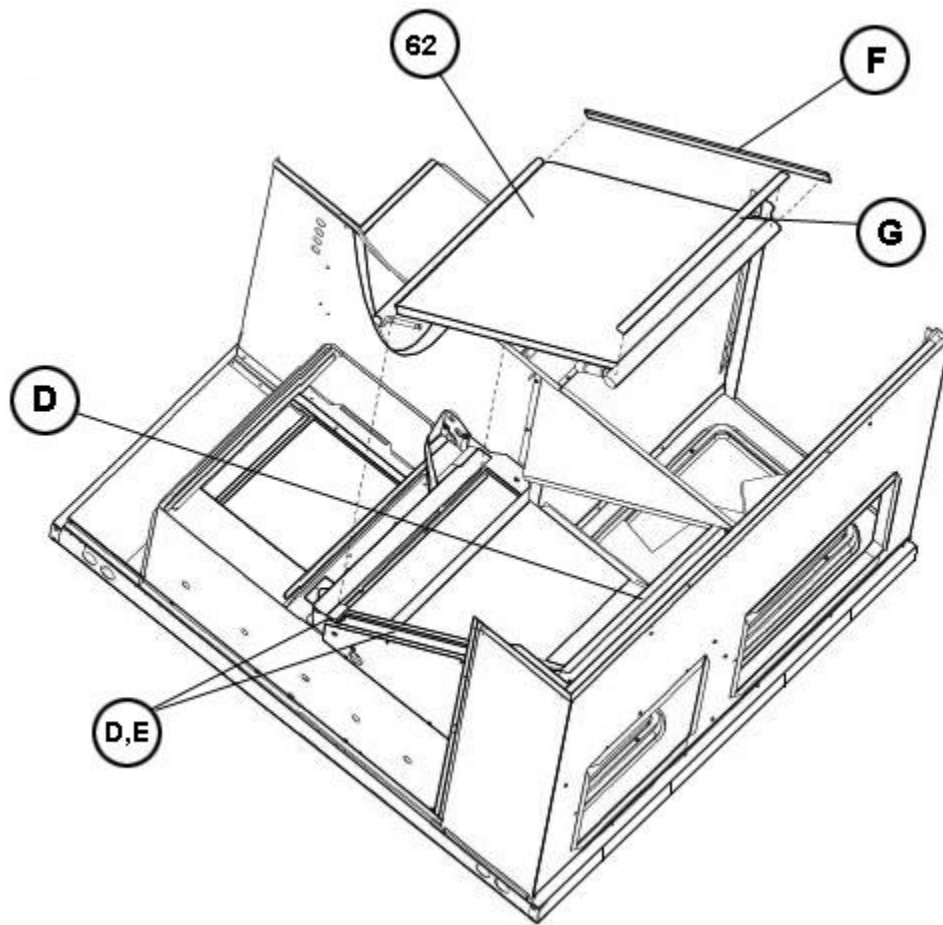
Heat Exchanger Assembly



Collector Box - Heat Exchanger



Burner Assembly



Evaporator Coil Gaskets

# NOTES

Stk It is recommended that stock be maintained for this part.  
N/A Not Applicable  
1 Order Gas Valve for Natural Gas along with LP Conversion Kit.

**DISCLAIMER:** This document is intended to provide general replacement parts information to aid qualified service personnel in the repair of these models. The complete Model and Serial Number of the unit under repair should be specified when selecting and ordering replacement parts. Specifications and illustrations are subject to change without notice. Document 92-42800-RGEA15 supersedes all previous parts lists for these models. See <http://www.rheempartslists.net/92-42800-RGEA15> for the latest revision of this document. The manufacturer assumes no obligation for errors or omissions. Service personnel must verify the proper and safe operation of equipment after the replacement of any original components.