



The new degree of comfort.™

# SUBMITTAL COVER SHEET

PROJECT NAME \_\_\_\_\_

LOCATION \_\_\_\_\_

ARCHITECT \_\_\_\_\_

ENGINEER \_\_\_\_\_

CONTRACTOR \_\_\_\_\_

SUBMITTED BY \_\_\_\_\_ DATE \_\_\_\_\_

## UNIT SUMMARY

Quantity						
Unit Designation						
Model No.						
Total Cooling						
Sensible Cooling						
Air Ent. Evaporator						
Air Lvg. Evaporator						
Heating Input						
Heating Output						
CFM/ESP						
EER/SEER						
Electrical						
Minimum Ampacity						
Min.-Max. Breaker						
Net Unit Weight						
Accessory						
Catalog Form Number						

**ACCESSORIES:**

**NOTES:**



INTEGRATED HOME COMFORT



The new degree of comfort.™

## Cased/Uncased Coils For Gas And Oil Furnaces



### RCF- Series

featuring Industry Standard R-410A  
Refrigerant  
Airflow Capacity  
600-1,900 CFM [283-897 L/s]



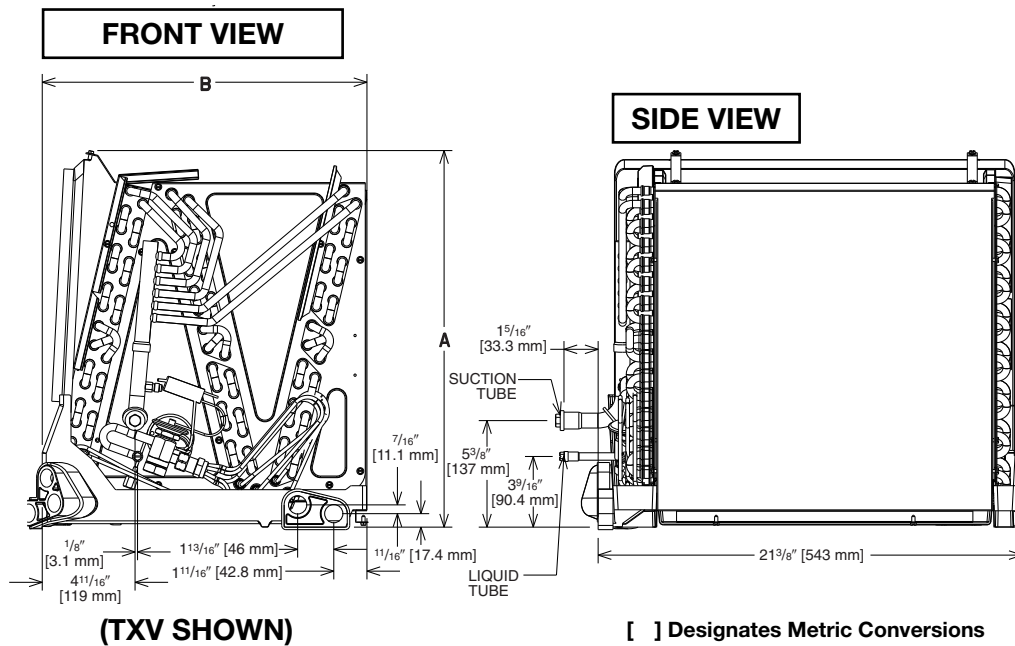
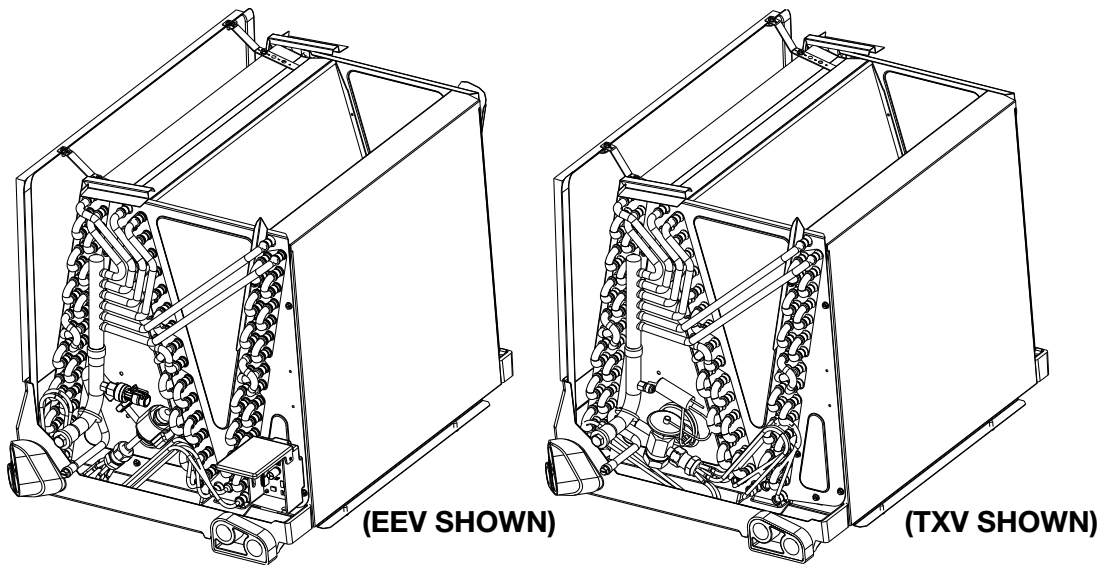
- Rheem® Indoor Furnace cased coils and replacement uncased coils are designed for use with Rheem outdoor units and are available for vertical upflow or downflow, and horizontal left or horizontal right airflow. When matched with Rheem outdoor units, the coils provide a nominal capacity range from 18,000 BTU/HR [5.24 kW] to 60,000 BTU/HR [17.6 kW].
- Constructed of aluminum fins bonded to internally grooved aluminum tubing.
- Coils are tested at the factory with an extensive refrigerant leak check.
- Coils have copper sweat refrigerant connections.
- Feature two sets of 3/4" [14.1 mm] N.P.T. Condensate drain connections for ease of connection.
- Chatleff metering device connections, at inlet and outlet of TXV and equalizer connections.
- Approved for system application with variety of Rheem outdoor units.
- Condensate drain pan is constructed of high grade, heat resistant, corrosion free thermal-set material.
- Compatible with Germicidal Light System (UV resistant)
- Bi-Directional airflow eliminates the need to switch any internal components from horizontal left to right.
- Unique drain pan design maximizes application flexibility and condensate removal.
- N-Coil design maximizes performance and minimizes height required at installation.
- Coils are AHRI certified for system application with a variety of Rheem outdoor units.

**Table 2: Coil Dimensions and Weights**

Coil Model RCF	Connections		Uncased Coil Dimensions (in) [mm]		Weight	
	Sweat (in.) [mm]		A	B	Coil Weight (lbs.) [Kg.]	Shipping Weight (lbs.) [Kg.]
	Liquid	Suction				
	I.D.	I.D.				
2414ST	3/8 [9.53]	3/4 [19.05]	21 <sup>3</sup> / <sub>4</sub> [552]	12 <sup>7</sup> / <sub>8</sub> [327]	43 [19]	47 [21]
2417SP/2417ST/2417SE	3/8 [9.53]	3/4 [19.05]	15 <sup>3</sup> / <sub>8</sub> [390]	16 <sup>3</sup> / <sub>8</sub> [416]	43 [19]	48 [22]
2417MT/2417HT/3617ST/3617SP/3617SE	3/8 [9.53]	3/4 [19.05]	18 <sup>3</sup> / <sub>4</sub> [476]	16 <sup>3</sup> / <sub>8</sub> [416]	49 [22]	54 [24]
2421MT/2421HT/3621ST/3621SP/2421ME	3/8 [9.53]	3/4 [19.05]	18 <sup>3</sup> / <sub>4</sub> [476]	19 <sup>7</sup> / <sub>8</sub> [505]	51 [23]	60 [27]
3621MT/4821ST/4821SP/3621ME	3/8 [9.53]	3/4 [19.05]	26 <sup>5</sup> / <sub>8</sub> [676]	19 <sup>7</sup> / <sub>8</sub> [505]	71 [32]	78 [35]
3621HT/4821MT/6021ST/6021SE	3/8 [9.53]	7/8 [22.23]	33 [838]	19 <sup>7</sup> / <sub>8</sub> [505]	76 [34]	86 [39]
3624MT/4824ST/4824ST	3/8 [9.53]	3/4 [19.05]	26 <sup>11</sup> / <sub>16</sub> [678]	23 <sup>3</sup> / <sub>8</sub> [594]	83 [37]	93 [42]
3624HT/4824HT/6024ST/6024HT/6024ME	3/8 [9.53]	3/4 [19.05]	30 <sup>15</sup> / <sub>16</sub> [786]	23 <sup>3</sup> / <sub>8</sub> [594]	100 [45]	108 [48]

\*The 14 inch, 2 ton RCF coil (2414) is part of the "N-Coil" design series, even though the coil shape resembles an "A" coil design.

**FIGURE 1: DIMENSIONS UNCASSED**



**Table 2: Coil Dimensions and Weights**

Coil Model RCF	Connections		Cased Coil Dimensions (in) [mm]			Weight	
	Sweat (in.) [mm]		A	B	C	Coil Weight (lbs.) [Kg.]	Shipping Weight (lbs.) [Kg.]
	Liquid	Suction					
	I.D.	I.D.					
2414ST	3/8 [9.53]	3/4 [19.05]	14 [356]	21 [533]	23 <sup>3</sup> / <sub>16</sub> [584]	43 [19]	47 [21]
2417SP/2417ST/2417SE	3/8 [9.53]	3/4 [19.05]	17 <sup>1</sup> / <sub>2</sub> [445]	14 <sup>1</sup> / <sub>2</sub> [368]	20 [508]	43 [19]	48 [22]
2417MT/2417HT/3617ST/3617SP/3617SE	3/8 [9.53]	3/4 [19.05]	17 <sup>1</sup> / <sub>2</sub> [445]	17 <sup>7</sup> / <sub>8</sub> [454]	20 [508]	49 [22]	54 [24]
2421MT/2421HT/3621ST/3621SP/2421ME	3/8 [9.53]	3/4 [19.05]	21 [533]	17 <sup>1</sup> / <sub>2</sub> [445]	20 [508]	51 [23]	60 [27]
3621MT/4821ST/4821SP/3621ME	3/8 [9.53]	3/4 [19.05]	21 [533]	25 <sup>7</sup> / <sub>8</sub> [657]	28 [711]	71 [32]	78 [35]
3621HT/4821MT/6021ST/6021SE	3/8 [9.53]	7/8 [22.23]	21 [533]	32 [813]	34 <sup>1</sup> / <sub>2</sub> [876]	76 [34]	86 [39]
3624MT/4824ST/4824ST	3/8 [9.53]	3/4 [19.05]	24 <sup>1</sup> / <sub>2</sub> [622]	25 <sup>3</sup> / <sub>8</sub> [645]	32 [812]	83 [37]	93 [42]
3624HT/4824HT/6024ST/6024HT/6024ME	3/8 [9.53]	3/4 [19.05]	24 <sup>1</sup> / <sub>2</sub> [622]	30 <sup>1</sup> / <sub>4</sub> [768]	32 [812]	100 [45]	108 [48]

\*The 14 inch, 2 ton RCF coil (2414) is part of the "N-Coil" design series, even though the coil shape resembles an "A" coil design.

**FIGURE 1: DIMENSIONS CASED**

