



The new degree of comfort.™

# SUBMITTAL COVER SHEET

PROJECT NAME \_\_\_\_\_

LOCATION \_\_\_\_\_

ARCHITECT \_\_\_\_\_

ENGINEER \_\_\_\_\_

CONTRACTOR \_\_\_\_\_

SUBMITTED BY \_\_\_\_\_ DATE \_\_\_\_\_

## UNIT SUMMARY

Quantity						
Unit Designation						
Model No.						
Total Cooling						
Sensible Cooling						
Air Ent. Evaporator						
Air Lvg. Evaporator						
Heating Input						
Heating Output						
CFM/ESP						
EER/SEER						
Electrical						
Minimum Ampacity						
Min.-Max. Breaker						
Net Unit Weight						
Accessory						
Catalog Form Number						

**ACCESSORIES:**

**NOTES:**



INTEGRATED HOME COMFORT

# EcoNet Enabled Modulating Upflow Gas Furnaces

**(-)98V Series**

**98% A.F.U.E.†**

**Input Rates 60 to 115 kBtu [11.57 to 33.71 kW]**

JOB NAME \_\_\_\_\_ MODEL NO. \_\_\_\_\_  
 CONTRACTOR \_\_\_\_\_ OUTDOOR UNIT MODEL NO. \_\_\_\_\_  
 ENGINEER \_\_\_\_\_ LOCATION \_\_\_\_\_  
 SUBMITTED FOR  APPROVAL  RECORD ORDER NO. \_\_\_\_\_  
 DATE \_\_\_\_\_

## UNIT DATA

### HEATING PERFORMANCE

TOTAL CAPACITY INPUT\* ..... MBH [kW]  
 TOTAL CAPACITY OUTPUT\* ..... MBH [kW]  
 DESIGN TEMP. RISE ..... °F [°C] DB  
 AFUE ..... %  
 CALIFORNIA SEASONAL EFFICIENCY ..... %  
(\*uses blower motor heat)

### SUPPLY AIR BLOWER PERFORMANCE

TOTAL AIR SUPPLY ..... CFM [L/s]  
 TOTAL RESISTANCE EXTERNAL TO UNIT ..... IWG  
 BLOWER SPEED ..... RPM  
 POWER OUTPUT REQUIREMENT .... BHP  
 MOTOR RATING ..... HP [W]  
 POWER INPUT REQUIREMENT ..... kW

### ELECTRICAL DATA

POWER SUPPLY ..... Hz  
 TOTAL UNIT AMPACITY ..... AMPS  
 MINIMUM WIRE SIZE ..... AWG  
 MAXIMUM OVERCURRENT DEVICE FUSES/HACR BREAKER ..... AMPS

## FEATURES FOR (-)98V

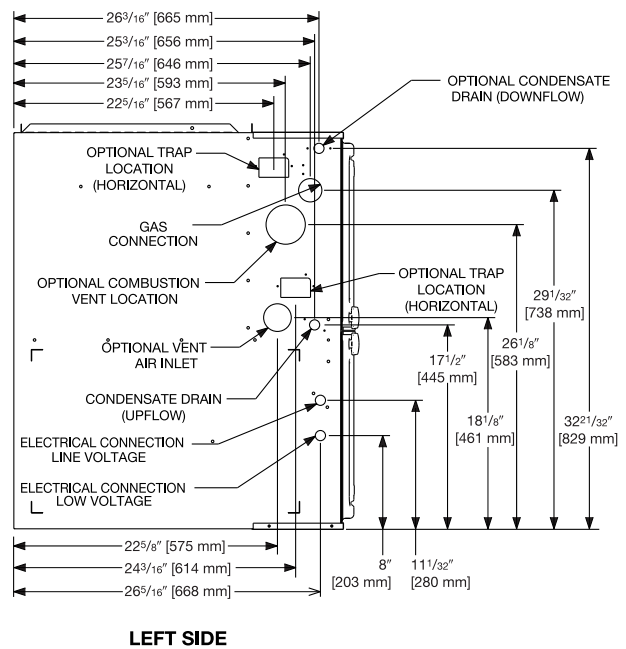
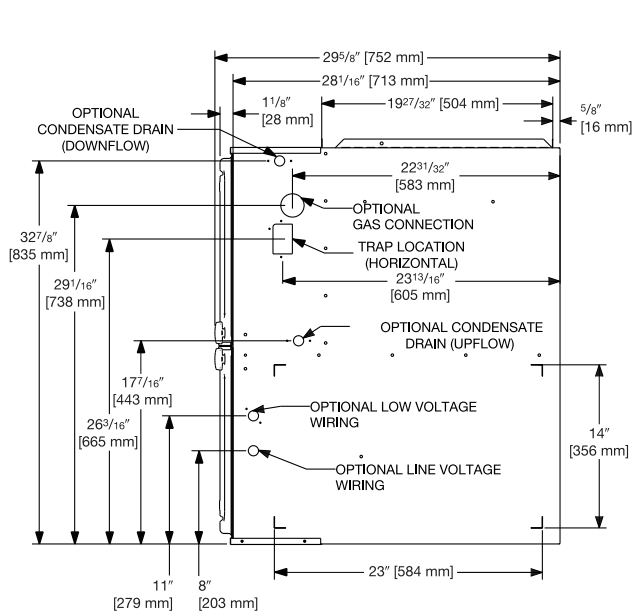
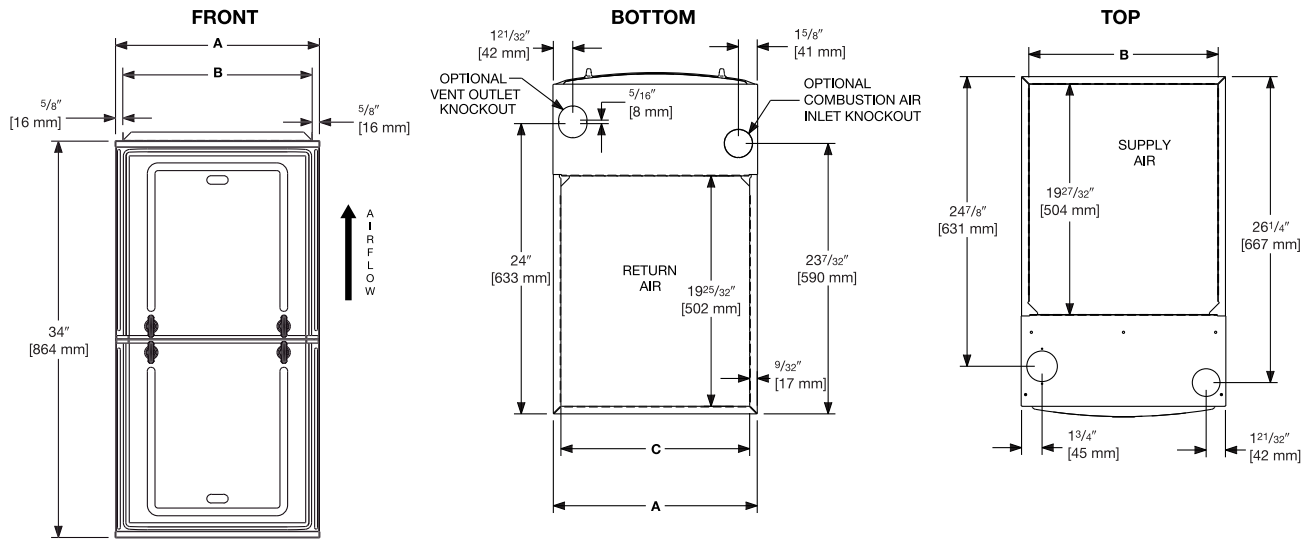
- 98% residential gas furnace CSA certified
- Upflow
- Modulating operation to save energy and maintain optimal comfort level.
- Variable speed blower motor technology provides ultimate humidity control, quieter sound levels, and year round energy savings.
- EcoNet® enabled HVAC Product
- PlusOne® Diagnostics 7-Segment LED all units
- PlusOne® Ignition System – DSI for reliability and longevity
- PlusOne® Water Management System with patented Blocked Drain Sensor
- PlusOne® Energy Efficiency – Industry’s highest A.F.U.E. gas furnace family. The R98V features 98% A.F.U.E. across all model sizes.
- Heat exchanger is removable for improved serviceability. Aluminized steel primary and stainless steel secondary construction provide maximum corrosion resistance and thermal fatigue reliability.
- Low profile “34 inch” cabinet ideal for space constrained installations.
- Blower Shelf design – serviceable in all furnace orientations
- Pre marked hoses – insures proper system drainage
- Vent with 2" or 3" PVC
- Replaceable collector box
- Hemmed edges on cabinet and doors
- Quarter turn door fasteners for tool less access
- Integrated control boards feature dip switches for easy system set up
- Self priming condensate trap
- Solid bottom included
- For optimal performance an EcoNet Control Center is recommended; must be paired with an EcoNet enabled heat pump or air conditioner, for a fully communicating HVAC system.
- Modulating Function: when used with an EcoNet Control Center modulating thermostat, modulation rate between 40% and 100% of total capacity.
- Two-stage Function: when used with a two-stage thermostat, furnace operates at 40% on first stage, and stages up to 65%, then 100% for second stage.
- Multistage Function: when used with a single-stage thermostat, furnace functions as a three stage furnace operating at 40%, 65% and 100% of total capacity.

†A.F.U.E. (Annual Fuel Utilization Efficiency) calculated in accordance with Department of Energy test procedures.

## FIELD INSTALLED ACCESSORIES

- Vent Termination Kits Concentric:  
 Vertical/Horizontal = RXGY-E03A-E02A (US & Canadian Installations).....
- Combustion Air Drain Kit  
 RXGY-D05, RXGY-D06 .....   
 Neutralizer Kit: RXGY-A01 .....   
 External Bottom Filter Rack RXGF-CB .....   
 External Side Filter Rack RXGF-CD .....   
 External Side (Upflow) Filter Rack RXGF-CD .....   
 High Altitude Kits RXGY-F53-F57 .....





**UNIT DIMENSIONS (CLEARANCE TO COMBUSTIBLES)**

MODEL (-)98V	LEFT SIDE	MINIMUM CLEARANCE (IN.) [mm]					SHIP WGTs. (LBS.) [kg]	FLANGE DIMENSIONS		
		RIGHT SIDE	BACK	TOP	FRONT	VENT		A	B	C
060	0	0	0	1 [25]	2 [51]	0	128 [58]	17 1/2 [445]	16 17/64 [413]	16 13/64 [412]
070	0	0	0	1 [25]	2 [51]	0	132 [60]	17 1/2 [445]	16 17/64 [413]	16 13/64 [412]
085	0	0	0	1 [25]	2 [51]	0	147.5 [67]	21 [533]	19 49/64 [502]	19 45/64 [500]
100	0	0	0	1 [25]	2 [51]	0	152 [69]	21 [533]	19 49/64 [502]	19 45/64 [500]
115	0	0	0	1 [25]	2 [51]	0	165 [75]	24 1/2 [622]	23 17/64 [591]	23 13/64 [589]

\*A service clearance of at least 24" is recommended in front of all furnaces  
 Supply and return depicted as upflow configuration.  
 Flange configuration will vary depending on installation orientation.

[ ] Designates Metric Conversions

Before proceeding with installation, refer to installation instructions packaged with each model, as well as complying with all Federal, State, Provincial, and Local codes, regulations, and practices.

"In keeping with its policy of continuous progress and product improvement, Manufacturer reserves the right to make changes without notice."