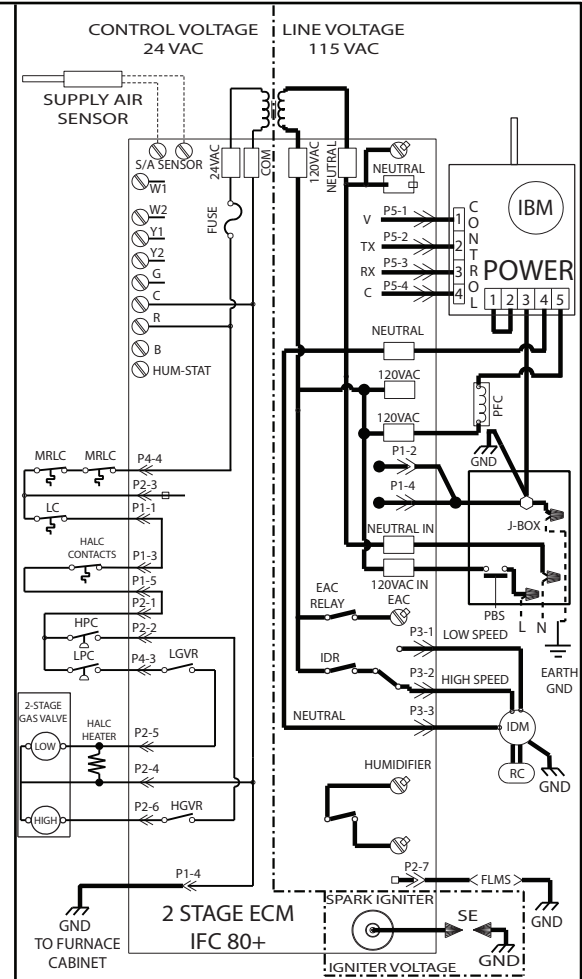
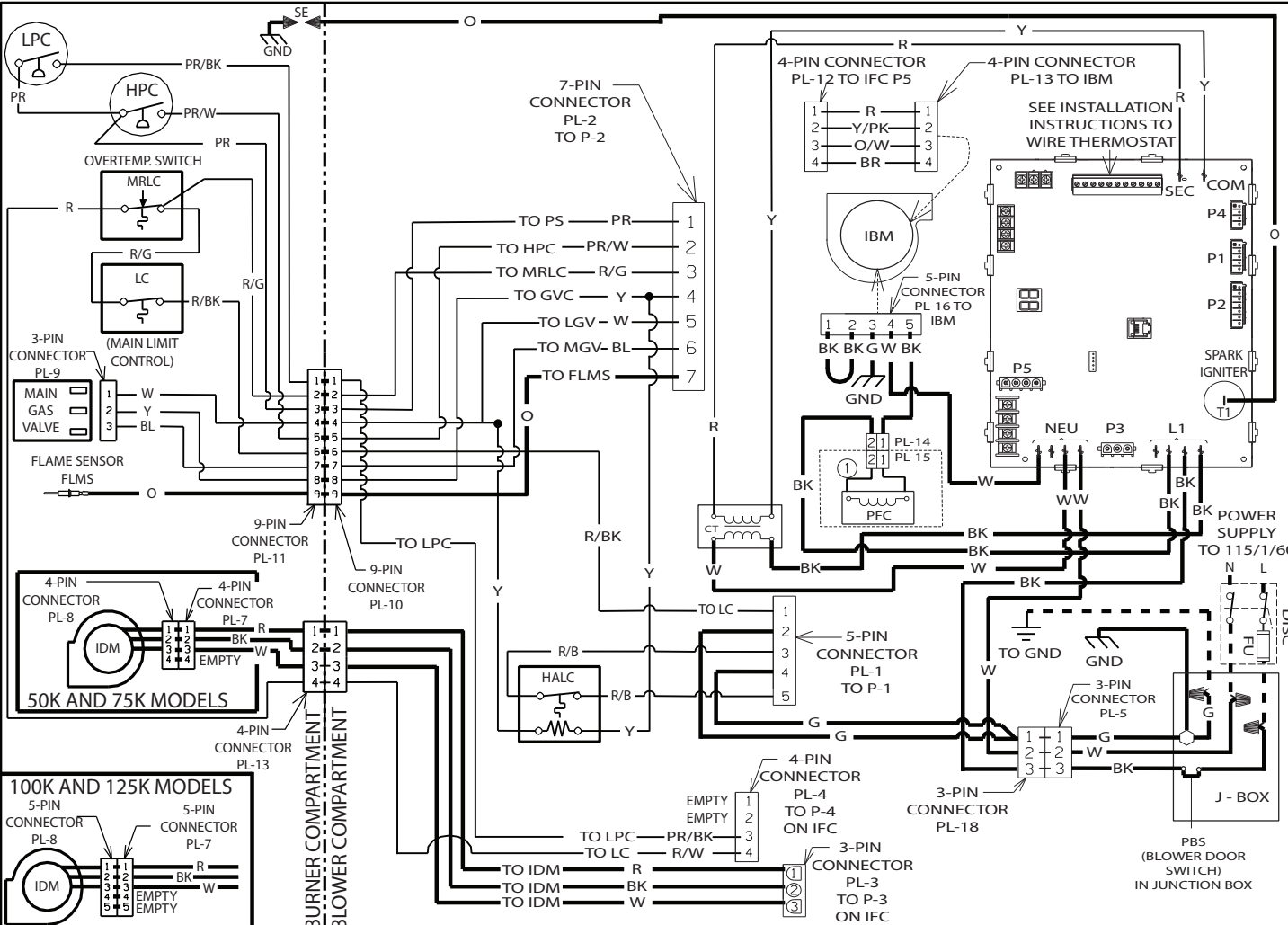


**PRINTING INSTRUCTIONS: MAKE EXACTLY 7.0 IN X 10.0 IN. WHITE BACKGROUND WITH BLACK PRINTING**

**MATERIAL: SEE ADS-4574-01**

REVISIONS

NO REVISION TO DESIGN, MATERIAL, TOOLING, OR PROCESS IS ACCEPTABLE WITHOUT PRIOR APPROVAL FROM RHEEM THROUGH AN AUTHORIZED CHANGE NOTICE. A REVISED ENGINEERING SPECIFICATION AND A RESAMPLING OF PARTS. THE SUPPLIER IS RESPONSIBLE FOR NOTIFYING RHEEM R & D AND PURCHASING DEPARTMENTS IN WRITING OF ANY CHANGES AFFECTING PRODUCT QUALITY, PERFORMANCE, RELIABILITY, PACKAGING, DELIVERY OR WORKMANSHIP. \*ANY DOCUMENTS REFERRED TO ON THIS DRAWING ARE INCLUDED IN THE SPECIFICATIONS FOR THIS COMPONENT\*.



**WIRING INFORMATION**

LINE VOLTAGE  
-FACTORY STANDARD  
-FACTORY OPTION  
-FIELD INSTALLED

LOW VOLTAGE  
-FACTORY STANDARD  
-FIELD INSTALLED

REPLACEMENT WIRE  
-MUST BE THE SAME SIZE AND TYPE OF INSULATION AS ORIGINAL (105C. MIN.)

**WARNING**  
-CABINET MUST BE PERMANENTLY GROUND AND CONFORM TO I.E.C., N.E.C., C.E.C., NATIONAL WIRING REGULATIONS, AND LOCAL CODES AS APPLICABLE.

**NOTES**

① JUMPER USED IN PLACE OF PFC ON 1/2 HP MOTOR MODELS

**COMPONENT CODES**

BLWR	BLOWER RELAY	HUM	HUMIDIFIER OUTPUT	PL	PLUG
C	COMMON	IBM	INDUCED BLOWER MOTOR	PS	PRESSURE SWITCH
CC	COOLING TRANSFORMER	IDM	INDUCED DRAFT MOTOR	RC	RUN CAPACITOR
CT	CONTROL TRANSFORMER	IDR	INDUCED DRAFT RELAY	SE	SPARK ELECTRODE
DISC	DISCONNECT SWITCH	IFC	INTEGRATED FURNACE CONT	TM	THERMISTOR
EAC	ELECT. AIR CLEANER OUTPUT	LC	LIMIT CONTROL	WS	WATER SENSOR
FLMS	FLAME SENSOR	LGV	LOW GAS VALVE	⏏	WIRE NUT
FR	FAN RELAY	LPC	LOW PRESSURE CONTROL		
FU	FUSE	M	MAIN		
GND	GROUND	MC	MEMORY CARD	⏏	= CHASSIS GROUND
GVC	GAS VALVE COMMON	MGV	MAIN GAS VALVE	⏏	= EARTH GROUND
GVR	GAS VALVE RELAY	MRLC	MAN. RESET LIMIT CONTROL		
HALC	HEAT ASSISTED LIMIT CONTROL	NEU	NEUTRAL		
ACR	HEAT/COOL RELAY	NPC	NEGATIVE PRESSURE CONT.		
HGV	HIGH GAS VALVE	PBS	PUSH BUTTON SWITCH		
HPC	HIGH PRESSURE CONTROL	PFC	POWER FACTOR CHOKE		

**WIRE COLOR CODE**

BK.....BLACK	G.....GREEN	PR.....PURPLE
BR.....BROWN	GY.....GRAY	R.....RED
BL.....BLUE	O.....ORANGE	W.....WHITE
	Y.....YELLOW	

**ELECTRICAL WIRING DIAGRAM**

DOWNFLOW  
BLOWER INDUCED DRAFT  
TWO STAGE 80 PLUS ECM  
GAS FIRED, FORCED AIR FURNACE  
W/ ECM MOTOR & ECO NET

APPROVED: \_\_\_\_\_ CHECKED: \_\_\_\_\_ ORIGINAL RELEASE NO.: \_\_\_\_\_

MODELED BY: **JHB** DATE: **8-5-14** G-1021S044

PART NO.: **90-104961-08** REV: **00**