



# 13PJA

Parts List  
27-May-2014



*This parts list is current as of the above revision date.  
See <http://www.rheempartslists.net/92-42805-13PJA.pdf> for the current revision.*

Heat Pumps

# Table of Contents

Model Explanation .....	Page 3
<b>Parts Numbers</b>	
Panels - Miscellaneous (Granite-Steel Gray) .....	Page 4
Panels - Miscellaneous (Neutra Green) .....	Page 5
Panels - Miscellaneous (ICECO Gray).....	Page 6
Electrical-Fan Group.....	Page 7
Coil Parts .....	Page 8
Compressor Group .....	Page 9
Accessories .....	Page 10
<b>Drawings/Photographs</b>	
Exploded View .....	Page 11
Control Box Assembly .....	Page 12
Valve Mounting Detail.....	Page 13
Notes/Disclaimer .....	Page 14

**MODEL NUMBER EXPLANATION**

<b>1</b>	<b>3</b>	<b>P</b>	<b>J</b>	<b>A</b>	<b>1</b>	<b>8</b>	<b>A</b>	<b>0</b>	<b>1</b>
<b>1</b>		<b>2</b>	<b>3</b>	<b>4</b>	<b>5</b>		<b>6</b>		<b>7</b>

- |  |  |
|--|--|
| <p><b>(1) SEER</b><br/>13 = SEER Rating</p> <p><b>(2) MODEL</b><br/>P = Heat Pump</p> <p><b>(3) VOLTAGE</b><br/>J = 208-230/1/60</p> <p><b>(4) DESIGN SERIES</b></p> | <p><b>(5) COOLING CAPACITY (BTU/HR)</b><br/>18 = 18,000<br/>24 = 24,000<br/>30 = 30,000<br/>36 = 36,000<br/>42 = 42,000<br/>48 = 48,000<br/>60 = 60,000</p> <p><b>(6) CABINET</b><br/>A = Full Metal Jacket<br/>C = POE Compressor Oil</p> <p><b>(7) NAMEPLATE</b></p> |
|--|--|

**SERIAL NUMBER EXPLANATION**

<b>7</b>	<b>0</b>	<b>9</b>	<b>2</b>	<b>M</b>	<b>0</b>	<b>7</b>	<b>0</b>	<b>1</b>	<b>9</b>	<b>9</b>	<b>9</b>	<b>9</b>	<b>9</b>
	<b>1</b>			<b>2</b>		<b>3</b>		<b>4</b>				<b>5</b>	

- (1) COMPRESSOR IDENTIFICATION NUMBER**
- (2) PRODUCTION LOCATION**  
M = Milledgeville, GA  
N = Nuevo Laredo  
W = Nuevo Laredo (West)
- (3) WEEK OF PRODUCTION**
- (4) YEAR OF PRODUCTION**
- (5) PRODUCTION NUMBER**

No.	Notes	MODEL COOLING CAPACITY VARIATION	13PJA	13PJA	13PJA	13PJA
			18 A01/C01	24 A01/C01	30 A01/C01	36 A01/C01
<b>SHEET METAL PARTS, MISCELLANEOUS (Granite/Steel Gray, After Date Code 4811)</b>						
1		Cabinet	AE-100726-81	AE-100726-82	AE-100726-83	AE-100726-84
2		Cabinet Panel	AE-100727-81	AE-100727-82	AE-100727-83	AE-100727-84
3		Base Pan	AS-100058-01	AS-100058-02	AE-101588-03	AE-101588-03
4		Control Box	AE-100654-81	AE-100654-81	AE-100654-81	AE-100654-84
5		Control Box Cover	AE-100657-81	AE-100657-81	AE-100657-81	AE-100657-81
6		Top Panel	AE-100652-81	AE-100652-82	AE-100652-83	AE-100652-83
8		Grille	95-100906-01	95-100906-03	95-100906-04	95-100906-04
		Center Cap - Blank (for Grille)	91-101123-09	91-101123-09	91-101123-09	91-101123-09
12		Valve Mounting Panel	AE-57780-01	AE-57780-01	AE-57780-01	AE-100185-81
14		Service Valve - Suction	See Coil Group			
15		Service Valve - Liquid	See Coil Group			
19		Low Voltage Cover	AE-57756-01	AE-57756-01	AE-57756-01	AE-57756-01
		Touch-up Paint - Granite/Steel Gray (Aerosol)	PD523018	PD523018	PD523018	PD523018
		Touch-up Paint - Granite/Steel Gray (Paint Pens)	PD523019	PD523019	PD523019	PD523019

No.	Notes	MODEL COOLING CAPACITY VARIATION	13PJA	13PJA	13PJA	
			42 A01/C01	48 A01/C01	60 A01/C01	
<b>SHEET METAL PARTS, MISCELLANEOUS (Granite/Steel Gray, After Date Code 4811)</b>						
1		Cabinet	AE-100726-84	AE-100726-84	AE-100726-84	
2		Cabinet Panel	AE-100727-84	AE-100727-84	AE-100727-84	
3		Base Pan	AE-101588-03	AE-101588-03	AE-101588-03	
4		Control Box	AE-100654-84	AE-100654-84	AE-100654-84	
5		Control Box Cover	AE-100657-81	AE-100657-81	AE-100657-81	
6		Top Panel	AE-100652-83	AE-100652-83	AE-100652-83	
8		Grille	95-100906-04	95-100906-04	95-100906-04	
		Center Cap - Blank (for Grille)	91-101123-09	91-101123-09	91-101123-09	
12		Valve Mounting Panel	AE-100185-81	AE-100185-81	AE-100185-81	
14		Service Valve - Suction	See Coil Group			
15		Service Valve - Liquid	See Coil Group			
19		Low Voltage Cover	AE-57756-01	AE-57756-01	AE-57756-01	
		Touch-up Paint - Granite/Steel Gray (Aerosol)	PD523018	PD523018	PD523018	
		Touch-up Paint - Granite/Steel Gray (Paint Pens)	PD523019	PD523019	PD523019	

No.	Notes	MODEL COOLING CAPACITY VARIATION	13PJA 18 A01	13PJA 24 A01	13PJA 30 A01	13PJA 36 A01
<b>SHEET METAL PARTS, MISCELLANEOUS (Neutra Green, Date Code 1208 - 4811)</b>						
1		Cabinet	AE-100726-51	AE-100726-52	AE-100726-53	AE-100726-54
2		Cabinet Panel	AE-100727-51	AE-100727-52	AE-100727-53	AE-100727-54
3		Base Pan	AS-100058-01	AS-100058-02	AE-101588-03	AE-101588-03
4		Control Box (for 2 inch diameter capacitor)	AE-100654-51	AE-100654-51	AE-100654-51	AE-100654-53
4		Control Box (for 2-1/2 inch diameter capacitor)	N/A	N/A	N/A	AE-100654-54
5		Control Box Cover	AE-100657-51	AE-100657-51	AE-100657-51	AE-100657-51
6		Top Panel	AE-100652-51	AE-100652-52	AE-100652-53	AE-100652-53
8		Grille	95-100906-01	95-100906-03	95-100906-04	95-100906-04
		Center Cap - Blank (for Grille)	91-101123-09	91-101123-09	91-101123-09	91-101123-09
12		Valve Mounting Panel	AE-57780-01	AE-57780-01	AE-57780-01	AE-100185-51
14		Service Valve - Suction	See Coil Group			
15		Service Valve - Liquid	See Coil Group			
19		Low Voltage Cover	AE-57756-01	AE-57756-01	AE-57756-01	AE-57756-01
		Touch-up Paint - Green (Aerosol)	52-18662-48	52-18662-48	52-18662-48	52-18662-48
		Touch-up Paint - Green (Paint Pens)	523010	523010	523010	523010

No.	Notes	MODEL COOLING CAPACITY VARIATION	13PJA 42 A01	13PJA 48 A01	13PJA 60 A01	
<b>SHEET METAL PARTS, MISCELLANEOUS (Neutra Green, Date Code 1208 - 4811)</b>						
1		Cabinet	AE-100726-54	AE-100726-54	AE-100726-54	
2		Cabinet Panel	AE-100727-54	AE-100727-54	AE-100727-54	
3		Base Pan	AE-101588-03	AE-101588-03	AE-101588-03	
4		Control Box	AE-100654-54	AE-100654-54	AE-100654-54	
5		Control Box Cover	AE-100657-51	AE-100657-51	AE-100657-51	
6		Top Panel	AE-100652-53	AE-100652-53	AE-100652-53	
8		Grille	95-100906-04	95-100906-04	95-100906-04	
		Center Cap - Blank (for Grille)	91-101123-09	91-101123-09	91-101123-09	
12		Valve Mounting Panel	AE-100185-51	AE-100185-51	AE-100185-51	
14		Service Valve - Suction	See Coil Group			
15		Service Valve - Liquid	See Coil Group			
19		Low Voltage Cover	AE-57756-01	AE-57756-01	AE-57756-01	
		Touch-up Paint - Green (Aerosol)	52-18662-48	52-18662-48	52-18662-48	
		Touch-up Paint - Green (Paint Pens)	523010	523010	523010	

No.	Notes	MODEL COOLING CAPACITY VARIATION	13PJA 18 A01	13PJA 24 A01	13PJA 30 A01	13PJA 36 A01
<b>SHEET METAL PARTS, MISCELLANEOUS (ICECO Gray, Before Date Code 1208)</b>						
1		Cabinet	AE-100726-01	AE-100726-02	AE-100726-03	AE-100726-04
2		Cabinet Panel	AE-100727-01	AE-100727-02	AE-100727-03	AE-100727-04
3		Base Pan (Before Date Code 1207)	AS-100058-01	AS-100058-02	AS-100058-03	AS-100058-03
3		Base Pan (After Date Code 1207)	AS-100058-01	AS-100058-02	AE-101588-03	AE-101588-03
4		Control Box	AE-100654-01	AE-100654-01	AE-100654-01	AE-100654-03
5		Control Box Cover	AE-100657-01	AE-100657-01	AE-100657-01	AE-100657-01
6		Top Panel (Before Date Code 1207)	AE-100652-01	AE-100652-02	AE-100652-04	AE-100652-04
6		Top Panel (Date Codes 1207 - 1208)	AE-100652-01	AE-100652-02	AE-100652-03	AE-100652-03
8		Grille (Before Date Code 1207)	95-100906-01	95-100906-03	95-100905-02	95-100905-02
8		Grille (After Date Code 1207)	95-100906-01	95-100906-03	95-100906-04	95-100906-04
		Center Cap - Blank (for Grille)	91-101123-09	91-101123-09	91-101123-09	91-101123-09
12		Valve Mounting Panel	AE-57780-01	AE-57780-01	AE-57780-01	AE-100185-01
14		Service Valve - Suction	See Coil Group			
15		Service Valve - Liquid	See Coil Group			
19		Low Voltage Cover	AE-57756-01	AE-57756-01	AE-57756-01	AE-57756-01
		Touch-up Paint - Gray (Aerosol)	523009	523009	523009	523009
		Touch-up Paint - Gray (Paint Pens)	523011	523011	523011	523011

No.	Notes	MODEL COOLING CAPACITY VARIATION	13PJA 42 A01	13PJA 48 A01	13PJA 60 A01	
<b>SHEET METAL PARTS, MISCELLANEOUS (ICECO Gray, Before Date Code 1208)</b>						
1		Cabinet	AE-100726-04	AE-100726-04	AE-100726-04	
2		Cabinet Panel	AE-100727-04	AE-100727-04	AE-100727-04	
3		Base Pan (Before Date Code 1207)	AS-100058-03	AS-100058-03	AS-100058-03	
3		Base Pan (After Date Code 1207)	AE-101588-03	AE-101588-03	AE-101588-03	
4		Control Box	AE-100654-04	AE-100654-04	AE-100654-04	
5		Control Box Cover	AE-100657-01	AE-100657-01	AE-100657-01	
6		Top Panel (Before Date Code 1207)	AE-100652-04	AE-100652-04	AE-100652-04	
6		Top Panel (Date Codes 1207 - 1208)	AE-100652-03	AE-100652-03	AE-100652-03	
8		Grille (Before Date Code 1207)	95-100905-02	95-100905-02	95-100905-02	
8		Grille (After Date Code 1207)	95-100906-04	95-100906-04	95-100906-04	
		Center Cap - Blank (for Grille)	91-101123-09	91-101123-09	91-101123-09	
12		Valve Mounting Panel	AE-100185-01	AE-100185-01	AE-100185-01	
14		Service Valve - Suction	See Coil Group			
15		Service Valve - Liquid	See Coil Group			
19		Low Voltage Cover	AE-57756-01	AE-57756-01	AE-57756-01	
		Touch-up Paint - Gray (Aerosol)	523009	523009	523009	
		Touch-up Paint - Gray (Paint Pens)	523011	523011	523011	

No.	Notes	MODEL COOLING CAPACITY VARIATION	13PJA 18 A01/C01	13PJA 24 A01/C01	13PJA 30 A01/C01	13PJA 36 A01/C01
<b>ELECTRICAL/FAN GROUP</b>						
7	Stk	Fan Motor	N/A	51-101774-02	51-101774-02	51-102008-07
9	Stk	Fan Blade - See Note 1	N/A	70-100580-02	70-100580-03	70-100580-04
9	1	Fan Blade - See Note 1	N/A	N/A	N/A	70-102011-04
7	Stk	Fan Motor - Before Date Code 2112	51-101774-04	N/A	N/A	N/A
9	Stk	Fan Blade - Before Date Code 2112	70-100580-05	N/A	N/A	N/A
7	Stk	Fan Motor - After Date Code 2112	51-101774-20	N/A	N/A	N/A
9	Stk	Fan Blade - After Date Code 2112	70-102011-21	N/A	N/A	N/A
17	Stk	Defrost Control Board	47-21517-16	47-21517-16	47-21517-16	47-21517-16
18	Stk	Contactora	42-42139-05	42-42139-05	42-42139-05	42-42139-05
19		Low Voltage Cover	See Panels - Miscellaneous			
20		Control Box Bottom	AE-100655-01	AE-100655-01	AE-100655-01	AE-100655-01
21		Capacitor - Compressor/Fan	See Compressor Group			
25		Low Ambient Control	See Accessories Group			

No.	Notes	MODEL COOLING CAPACITY VARIATION	13PJA 42 A01/C01	13PJA 48 A01/C01	13PJA 60 A01/C01	
<b>ELECTRICAL/FAN GROUP</b>						
7	Stk	Fan Motor	51-102008-07	51-102008-07	51-102008-07	
9	Stk,1	Fan Blade - See Note 1	70-100580-04	70-100580-04	70-100580-04	
9	1	Fan Blade - See Note 1	70-102011-04	70-102011-04	70-102011-04	
17	Stk	Defrost Control Board	47-21517-16	47-21517-16	47-21517-16	
18	Stk	Contactora	42-42139-05	42-42478-02	42-42478-02	
19		Low Voltage Cover	See Panels - Miscellaneous			
20		Control Box Bottom	AE-100655-01	AE-100655-01	AE-100655-01	
21		Capacitor - Compressor/Fan	See Compressor Group			
25		Low Ambient Control	See Accessories Group			

No.	Notes	MODEL COOLING CAPACITY VARIATION	13PJA	13PJA	13PJA	13PJA
			18 A01/C01	24 A01/C01	30 A01/C01	36 A01/C01
<b>COIL GROUP</b>						
11	Stk	Condenser Coil	AS-101766-03	AS-101767-03	AS-101768-03	AS-101760-03
13		Valve Mounting Bracket	AE-57781-01	AE-57781-01	AE-57781-01	AE-57781-02
		Bulkhead Valve	61-22369-04	61-22369-04	61-22369-04	61-22369-04
		Distributor - 2 Way	83-17467-03	83-17467-03	N/A	N/A
	Stk	Reversing Valve	61-102331-04	61-102331-04	61-102498-09 (See Note 3)	61-102498-09 (See Note 3)
		Solenoid Coil - Reversing Valve (Before Date Code 2808)	61-101713-01	61-101713-01	61-101713-01	61-101713-01
	Stk	Solenoid Coil - Reversing Valve (After Date Code 2808)	61-101713-92	61-101713-92	61-101713-92	61-101713-92
		Wiring Harness - Reversing Valve	61-26149-03	61-26149-03	61-26149-03	61-26149-03
14		Service Valve - Suction (3/4 in. to 3/4 in.)	61-21368-07	61-21368-07	61-21368-07	N/A
14		Service Valve - Suction (5/8 in. to 3/4 in.)	61-21368-23	61-21368-23	N/A	N/A
14		Service Valve - Suction (3/4 in. to 7/8 in.)	N/A	N/A	N/A	61-21368-22
15		Service Valve - Liquid	61-21368-05	61-21368-05	61-21368-05	61-21368-05
	Stk	TXV/Distributor Assembly	61-102068-01	61-102068-02	61-102068-03	61-102068-04
		Strainer	83-25316-02	83-25316-02	83-25316-02	83-25316-02
	Stk	Filter Drier	83-25152-03	83-25152-03	83-25152-03	83-25152-03
		Muffler	See Compressor Group			

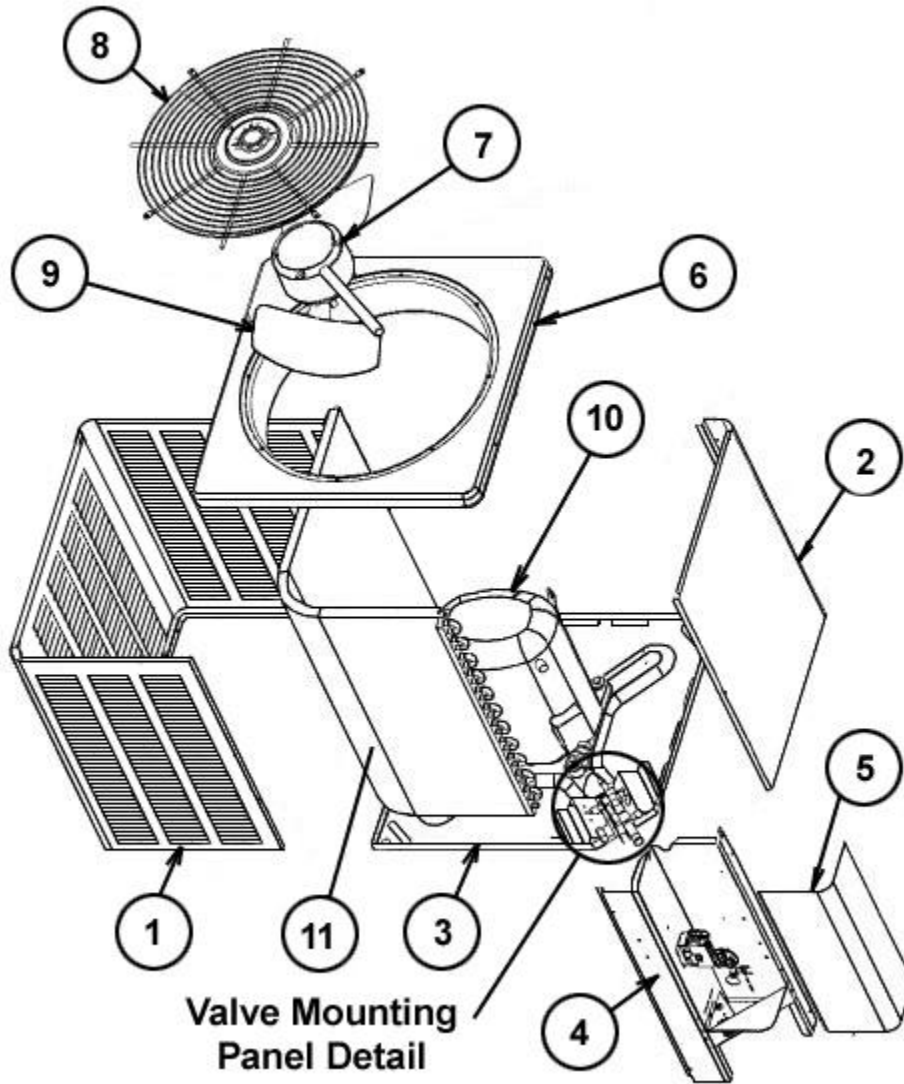
No.	Notes	MODEL COOLING CAPACITY VARIATION	13PJA	13PJA	13PJA	
			42 A01/C01	48 A01/C01	60 A01/C01	
<b>COIL GROUP</b>						
11	Stk	Condenser Coil	AS-101760-03	AS-102099-03	AS-101771-01	
13		Valve Mounting Bracket	AE-57781-02	AE-57781-02	AE-57781-02	
		Bulkhead Valve	61-22369-04	61-22369-04	61-22369-04	
	Stk	Reversing Valve	61-102498-09 (See Note 3)	61-101684-03	61-101684-03	
		Solenoid Coil - Reversing Valve (Before Date Code 2808)	61-101713-01	61-101713-01	61-101713-01	
	Stk	Solenoid Coil - Reversing Valve (After Date Code 2808)	61-101713-92	61-101713-92	61-101713-92	
		Wiring Harness - Reversing Valve	61-26149-03	61-26149-03	61-26149-03	
14		Service Valve - Suction (3/4 in. to 7/8 in.)	61-21368-22	N/A	N/A	
14		Service Valve - Suction (7/8 in. to 7/8 in.)	N/A	61-21368-08	61-21368-08	
15		Service Valve - Liquid	61-21368-05	61-21368-05	61-21368-05	
	Stk	TXV/Distributor Assembly	61-102068-05	61-102068-06	61-102068-07	
		Strainer	83-25316-02	83-25316-02	83-25316-02	
	Stk	Filter Drier	83-25152-03	83-25152-03	83-25152-03	
		Muffler	See Compressor Group			



No.	Notes	MODEL COOLING CAPACITY VARIATION	13PJA 18 A01/C01	13PJA 24 A01/C01	13PJA 30 A01/C01	13PJA 36 A01/C01
<b>COMPRESSOR GROUP</b>						
<b>IMPORTANT NOTE: Replacement Compressors MUST be selected using the Compressor ID from the unit's Serial Number. Do not interchange compressors from other Compressor ID's used on the model. See Note 2 and cross-references below for information regarding retrofit of Bristol reciprocating compressors with Copeland scroll compressors.</b>						
		<b>Compressor ID:</b>	<b>7328</b>	<b>7329</b>	<b>7679/7330/8489</b>	<b>7680/7331/8490</b>
10	2	Original Compressor - See Note 2	55-101545-12S	55-101545-13S	55-101545-14S	55-101545-09S
10	Stk,2	Replacement Compressor (Retrofit Kit Required) - See Note 2	55-100835-45S	55-100835-13S	55-100835-16S	55-100835-23S
	Stk,2	Retrofit Kit - See Note 2	831009	831010	831011	831012
21	Stk	Capacitor - Fan/Compressor	43-101665-44	43-101665-44	43-101665-44	43-26261-46
	Stk	Muffler/Check Valve	83-101828-01	83-101828-01	83-101828-01	83-101828-01
		<b>Compressor ID:</b>	<b>7730/8487</b>	<b>7731/8488</b>		
10	2	Original Compressor - See Note 2	55-101545-27S	55-101545-29S		
10	Stk,2	Replacement Compressor (Retrofit Kit Required) - See Note 2	55-100835-45S	55-100835-13S		
	Stk,2	Retrofit Kit - See Note 2	831009	831010		
21	Stk	Capacitor - Fan/Compressor	43-101665-44	43-101665-44		
	Stk	Muffler/Check Valve	83-101828-01	83-101828-01		
		<b>Compressor ID:</b>	<b>7659/8494</b>	<b>7660/8495</b>	<b>7661/8496</b>	<b>7662/8497</b>
10	Stk	Compressor	55-100835-45S	55-100835-13S	55-100835-16S	55-100835-23S
	Stk	Compressor Wiring Harness (Molded Plug)	45-100834-80	45-100834-80	45-100834-80	45-100834-80
21	Stk	Capacitor - Fan/Compressor (2 inch diameter)	43-26261-40	43-26261-44	43-26261-09	43-26271-46
21	Stk	Capacitor - Fan/Compressor (2-1/2 inch diameter)	N/A	N/A	N/A	43-101665-46
	Stk	Muffler	83-20438-04	83-20438-04	83-20438-04	83-20438-04
		<b>Compressor ID:</b>	<b>8970</b>	<b>8971</b>	<b>8972</b>	<b>8973</b>
10	Stk	Compressor	55-105047-01S	55-105047-02S	55-105043-01	55-105043-02
21	Stk	Capacitor - Fan/Compressor	43-101665-44	43-101665-44	43-101665-09	43-101665-46
	Stk	Compressor Wiring Harness (Molded Plug)	N/A	N/A	45-100834-80	45-100834-80
	Stk	Muffler	83-101828-01	83-101828-01	83-20438-04	83-20438-04

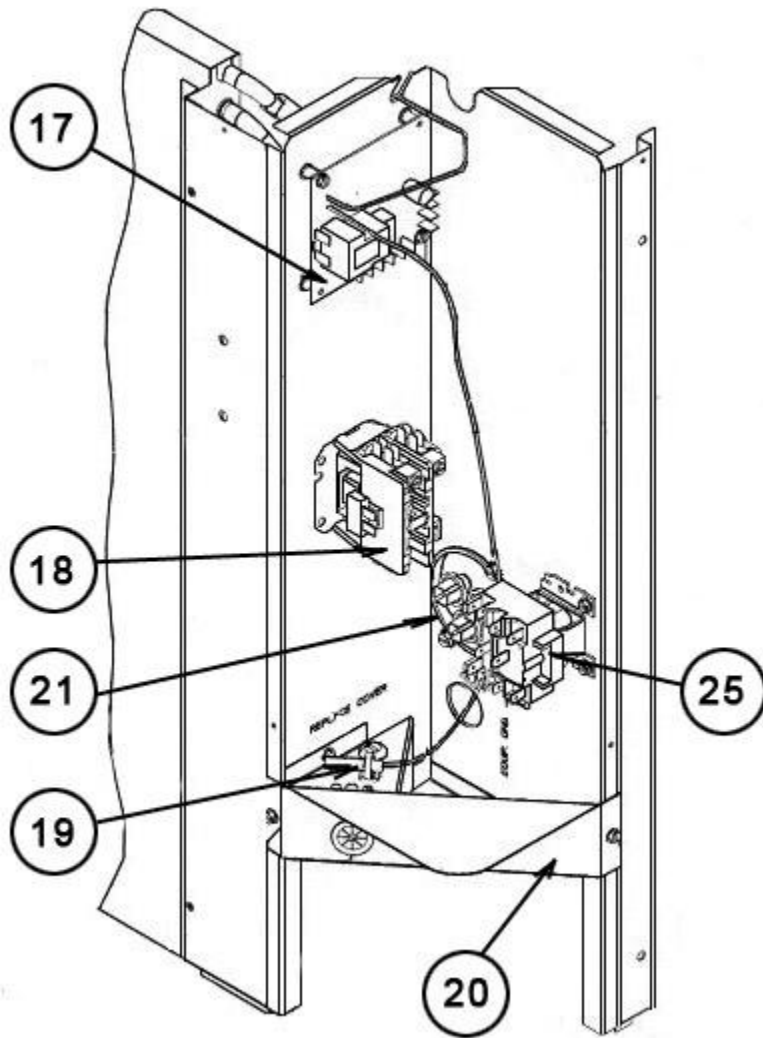
No.	Notes	MODEL COOLING CAPACITY VARIATION	13PJA 42 A01/C01	13PJA 48 A01/C01	13PJA 60 A01/C01
<b>COMPRESSOR GROUP</b>					
<b>IMPORTANT NOTE: Replacement Compressors MUST be selected using the Compressor ID from the unit's Serial Number. Do not interchange compressors from other Compressor ID's used on the model. See Note 2 and cross-references below for information regarding retrofit of Bristol reciprocating compressors with Copeland scroll compressors.</b>					
		<b>Compressor ID:</b>		<b>7682/7333/8492</b>	
10	2	Original Compressor - See Note 2		55-101545-11S	
10	Stk,2	Replacement Compressor (Retrofit Kit Required) - See Note 2		55-100835-05S	
	Stk,2	Retrofit Kit - See Note 2		831013	
21	Stk	Capacitor - Fan/Compressor		43-26271-39	
	Stk	Muffler		83-20438-04	
		<b>Compressor ID:</b>	<b>7681/7332/8491</b>		<b>7683/7334/8493</b>
10	Stk	Compressor	55-101545-15S		55-23148-37
21	Stk	Capacitor - Fan/Compressor	43-26271-38		43-26271-47
	Stk	Crankcase Heater	N/A		44-101884-02
	Stk	Muffler	83-20438-04		83-20438-04
		<b>Compressor ID:</b>	<b>8866</b>	<b>7663/8498</b>	<b>7664/8499</b>
10	Stk	Compressor	55-102045-71S	55-100835-05S	55-100835-06S
	Stk	Compressor Wiring Harness (Molded Plug)	45-100834-80	45-100834-80	45-100834-80
21	Stk	Capacitor - Fan/Compressor	43-101665-38	43-26261-39	43-26261-30
	Stk	Muffler	83-20438-04	83-20438-04	83-20438-04
	Stk	Crankcase Heater	44-101884-05	N/A	44-101884-02
		<b>Compressor ID:</b>	<b>8952</b>	<b>8976</b>	<b>8979</b>
10	Stk	Compressor	55-102045-63	55-105043-05	55-105043-08
21	Stk	Capacitor - Fan/Compressor	43-101665-38	43-101665-39	43-101665-30
	Stk	Crankcase Heater	44-101884-05	N/A	N/A
	Stk	Compressor Wiring Harness (Molded Plug)	45-100834-80	45-100834-80	45-100834-80
	Stk	Muffler	83-20438-04	83-20438-04	83-20438-04

No.	Notes	MODEL COOLING CAPACITY VARIATION	13PJA ALL ALL
<b>ACCESORIES</b>			
		Low Ambient Control	RXPZ-C01
		Outdoor Thermostat (One Thermostat w/box)	RXPT-A01
		Outdoor Thermostat (One Thermostat w/o box)	RXPT-A02
		Outdoor Thermostat (One w/Heat Relay and box)	RXPT-A03
		Outdoor Thermostat (Two Thermostats w/Heat and box)	RXPT-A04
		Heat Pump Monitor	RXPM-B01
		Compressor Time Delay Control	RXMD-B01
		Blower Time Delay Control	RXMD-C04
		High Pressure Control	RXAB-A03

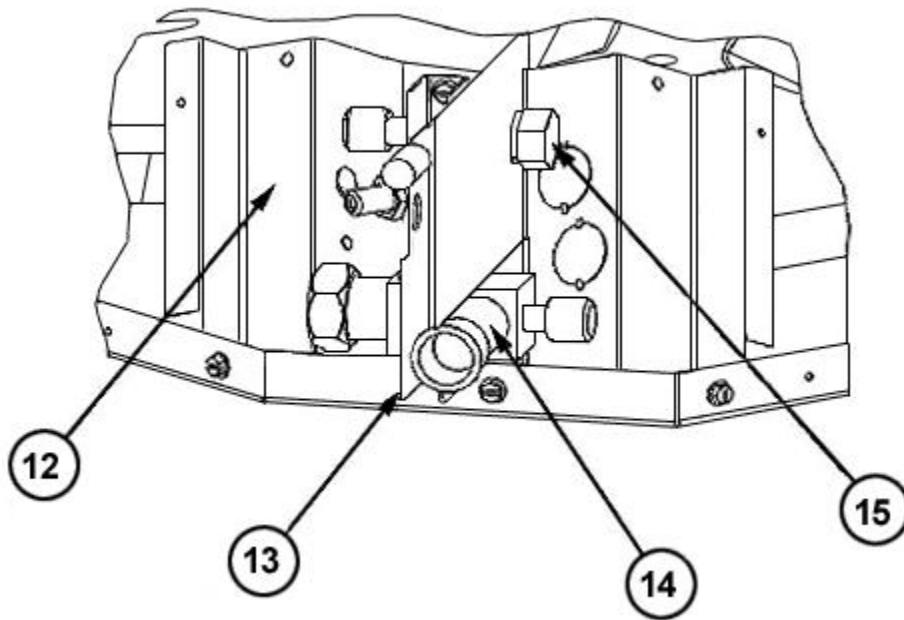


**Valve Mounting  
Panel Detail**

Exploded View



Control Box Assembly



Valve Mounting Detail

# NOTES

Stk It is recommended that stock be maintained for this part.

N/A Not Applicable

- 1 70-100580-04 is a 3-blade design, and 70-102011-04 is a 2-blade design. The replacement fan blades are interchangeable on the listed units, and either may be used for replacement.
- 2 This compressor should be replaced with the designated Copeland scroll (55-100835 series) and the specified Retrofit Kit. USE OF THE RETROFIT KIT IS REQUIRED WHEN PERFORMING THIS REPLACEMENT. Failure to use the kit will greatly increase the likelihood of future compressor failure and will void the compressor warranty.
- 3 The reversing valve specified for 030, 036, 042 models may be different than the one originally supplied with the equipment. The use of the specified valve is recommended for improved shifting performance.

**DISCLAIMER:** This document is intended to provide general replacement parts information to aid qualified service personnel in the repair of these models. The complete Model and Serial Number of the unit under repair should be specified when selecting and ordering replacement parts. Specifications and illustrations are subject to change without notice. Document 92-42805-13PJA supersedes all previous parts lists for these models. See <http://www.rheempartslists.net/92-42805-13PJA> for the latest revision of this document. The manufacturer assumes no obligation for errors or omissions. Service personnel must verify the proper and safe operation of equipment after the replacement of any original components.