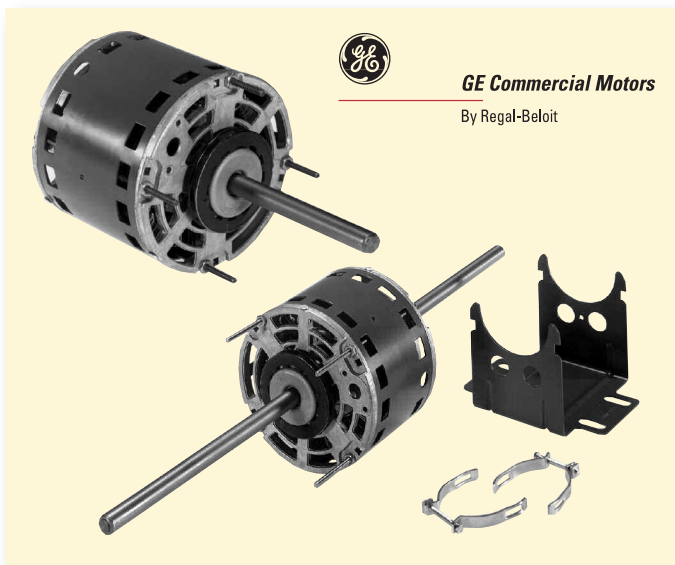


Double Shaft Fan & Blower Motors - PSC

5 inch dia. MARS SERIES **029**



5KCP29—Form G PSC Motors

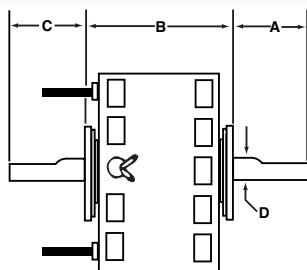
Designed for virtually every fan and blower application.

Features:

- All angle sleeve bearings
- Open construction
- Aluminum end shields
- 26 inch color-coded leads
- 2-1/2 inch resilient ring mounting
- Double shaft models shipped with base mounted (3.5 inch shaft height)
- Extended thru bolts on shaft end—extended 3/4 inch on single shaft and 1-1/2 inch on double shaft motors (on 4.6 inch bolt circle)
- Energy Saver® design
- Motor reversing leads have terminals for quick change to opposite rotation
- For accessories see pages M-73 to M-75

Specifications:

- Single phase, 60 Hertz
- Automatic reset overload protection
- Fan duty, continuous, air over
- Advanced Class B insulation
- 5 Mfd @ 370V capacitor required (MARS No. 12005)



GE by RBC

MARS NO.	GE NO. 5KCP29	HP	VOLTS	AMPS	ROT LE	RPM	DIMENSIONS			
							A	B	C	D

1075 RPM - Single Shaft - Single Speed - 6 Pole

02822	KG5852S	1/5	115	3.53	REV	1075	4.00	5.56	—	1/2
-------	---------	-----	-----	------	-----	------	------	------	---	-----

1075 RPM - Single Shaft - Three Speed - 6 Pole

02840 ⁽¹⁾	BG5866S	1/30	115	.61	REV	1075	8.00	6.00/4.50	—	1/2
02824	EG5854S	1/8	115	2.45	REV	1075	4.00	5.06	—	1/2
02825	KG5855S	1/5	115	3.51	REV	1075	4.00	5.56	—	1/2
02826	KG5856S	1/5	208-230	1.67	REV	1075	4.00	5.56	—	1/2
02827	LG5857S	1/4	115	4.78	REV	1075	4.00	5.81	—	1/2
02828	LG5858S	1/4	208-230	2.22	REV	1075	4.00	5.81	—	1/2
02829 ⁽²⁾	MG5859AS	1/3	115	5.8	REV	1075	4.00	5.81	—	1/2

1075 RPM - Double Shaft - Four Speed - 6 Pole

02830	BG5860S	1/15	115	1.40	CCW	1075	8.00	4.67	8.00	1/2
02831	DG5861S	1/10	115	1.90	CCW	1075	8.00	4.92	8.00	1/2
02832	EG5862S	1/8	115	2.69	CCW	1075	8.00	5.17	8.00	1/2
02833	LG5863S	1/4	115	4.70	CCW	1075	8.00	6.45	8.00	1/2
02834	LG5864S	1/4	208-230	2.10	CCW	1075	8.00	6.17	8.00	1/2
02836	EG5868S	1/8	208-230	1.20	CCW	1075	8.00	5.17	8.00	1/2

1625 RPM - Double Shaft - Four Speed - 4 Pole

02835	EG5867S	1/10	115	1.30	CCW	1625	8.00	5.17	8.00	1/2
02837	FG5869S	1/6	115	2.10	CCW	1625	8.00	5.42	8.00	1/2

(1) Model has resilient ring length adapter kit included in carton (2) 15mfd @370V capacitor required