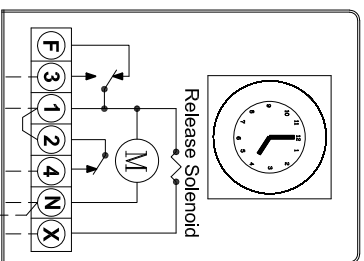
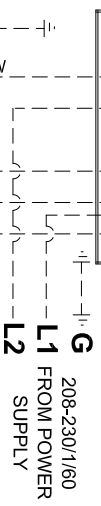


NOTE: PER MFG. INSTRUCTIONS, THE TIME SWITCH IS PROGRAMMED BY PUSHING THE CAPTIVE TRIPPERS TO THE INNER RING POSITION FOR THE ENTIRE PERIOD THAT THE LOAD IS IN THE NORMAL OPERATING CYCLE. WHEN A TRIPPER IS PUSHED TO THE OUTSIDE, THE SWITCH IS IN THE "DEFROST" POSITION. EACH TRIPPER EQUALS 15 MINUTES OF TIMED ELECTRIC DEFROST.

ELECTRIC DEFROST TIMER

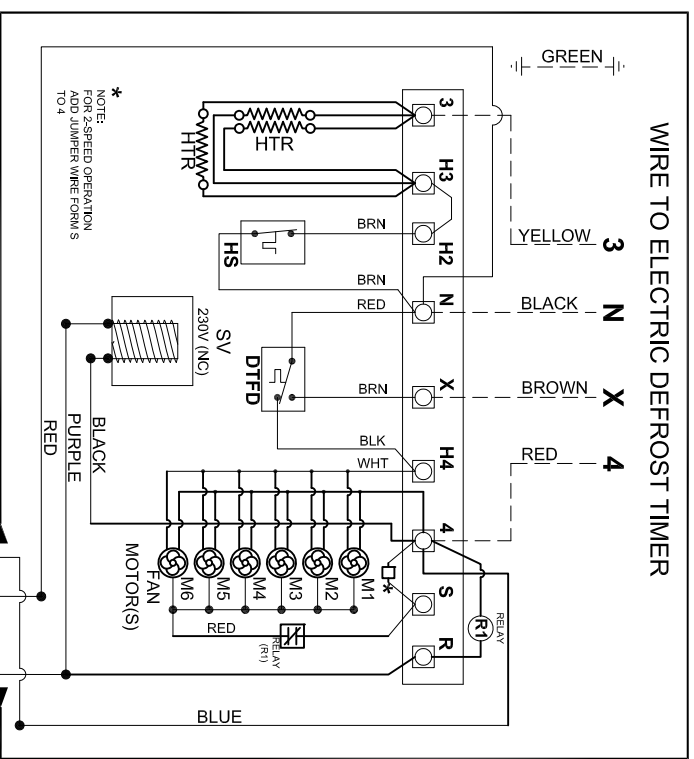


TIMER TO SHIP LOOSE FOR FIELD INSTALLATION.

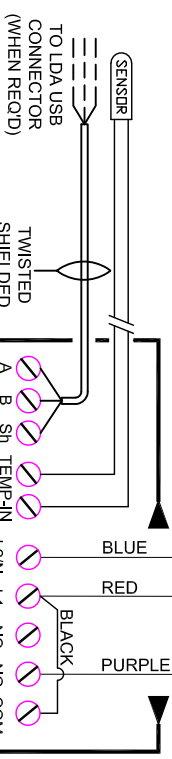


WIRE TO EVAPAPORATOR COIL

WIRE TO ELECTRIC DEFROST TIMER



UNIT COOLER 208-230/1/60



ELECTRONIC TEMPERATURE CONTROL

SYSTEM COMPONENTS ARE INSTALLED AND WIRED, WITH FINAL WIRING CONNECTIONS MADE IN THE EVAPORATOR WIRING COMPARTMENT.

WIRING DIAGRAM - ELECTRIC DEFROST EVAPORATOR w/ELECTRONIC TEMPERATURE CONTROL & ELECTRIC DEFROST TIMER 208-230/1/60

EVAPORATOR MODEL:

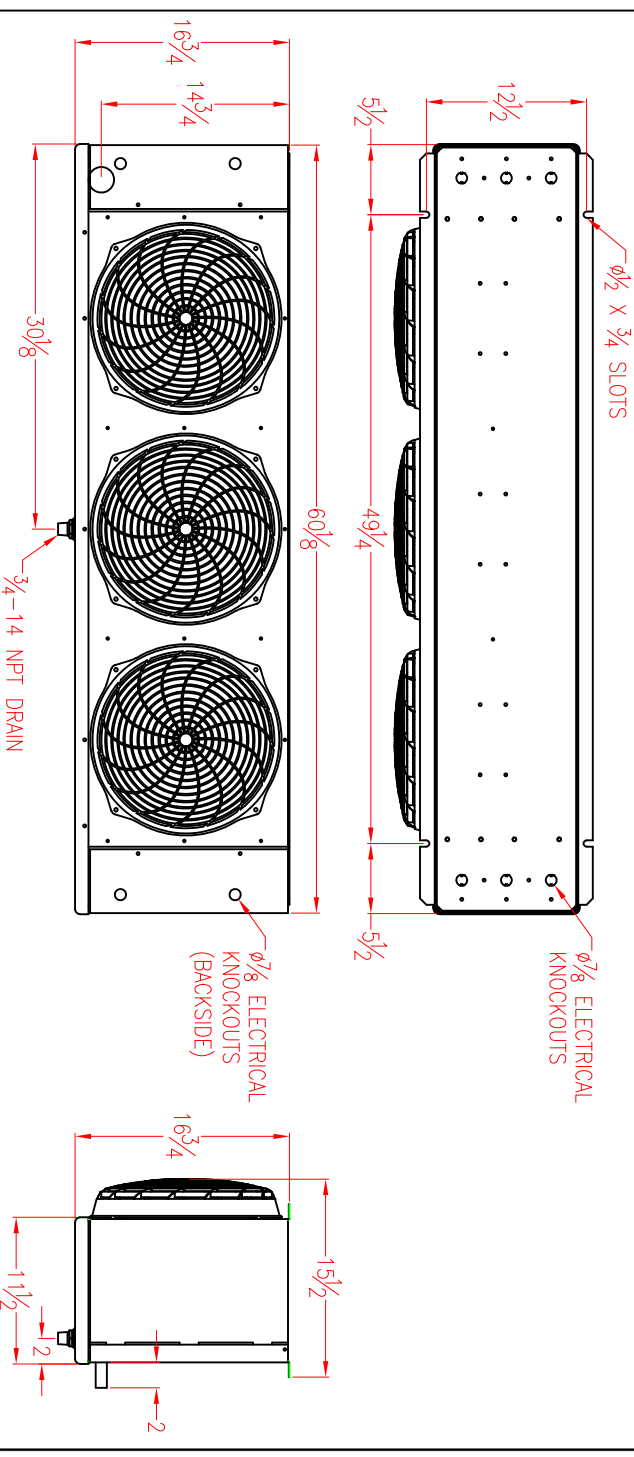
CONNECTION SIZES

ACCESSORIES

DEFROST TYPE	MODEL	MFG REFRIG	BTUH	FAN 1Ø		DEFROST HEATERS		SUCTION	LIQUID	WEIGHT (lbs.)	DRAIN LINE	CONTROLS				
				AMP	V	AMP	V					Ø	DEFROST TIMER	TSTAT	SDL VAL	EXP VAL
A	EL36-121-2P-PR-4	RDI	R404A	12,100	1.5	230	14.3	230	1	1-1/8" ODF	3/8" ODF	3/4" MPT	X	X	X	X
B	EL36-142-2P-PR-4	RDI	R404A	14,200	1.5	230	14.3	230	1	1-1/8" ODF	3/8" ODF	3/4" MPT	X	X	X	X

LEGEND:
 O=Off Cycle,
 A=Air w/Timer
 B=Electric Defrost

POWER SUPPLY: 208-230/1/60
 TOTAL CONNECTED LOAD AMPS: 14.3A
 MINIMUM CIRCUIT AMPACITY: 15A
 MAXIMUM OVERCURRENT PROTECTION: 20A



EVAPORATOR DETAIL

ITEMS PROVIDED INCLUDE:

1. L.L. Solenoid Valve (Installed-Evap)
2. Expansion Valve (Installed-Evap)
3. Digital Temperature Control (Installed-Evap)

DATE	REVISION RECORD	AUTH	DR	CK
<p>EL 3 Fan Unit Cooler Models 208/230V, PSC Motors, R404A</p> <p>SCALE: NONE DATE: 07.16.2018</p> <p>RDI Systems</p> <p>2015 RDI Systems, Inc. 10000 Highway 23833 Houston, TX 77058 A Whetstone Brand</p> <p>DRAWING NUMBER: EL 3 Fan, 208/230, PSC Motors, R404A</p>				