



SPECIFICATIONS FOR VALVES

Product of Italy

Models 492008 & 492009

Description:

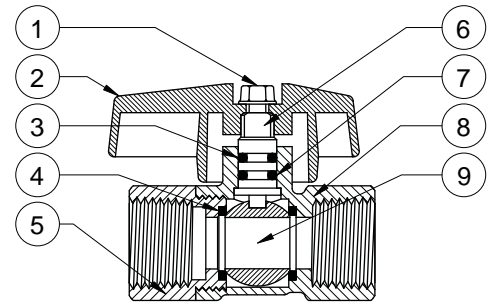
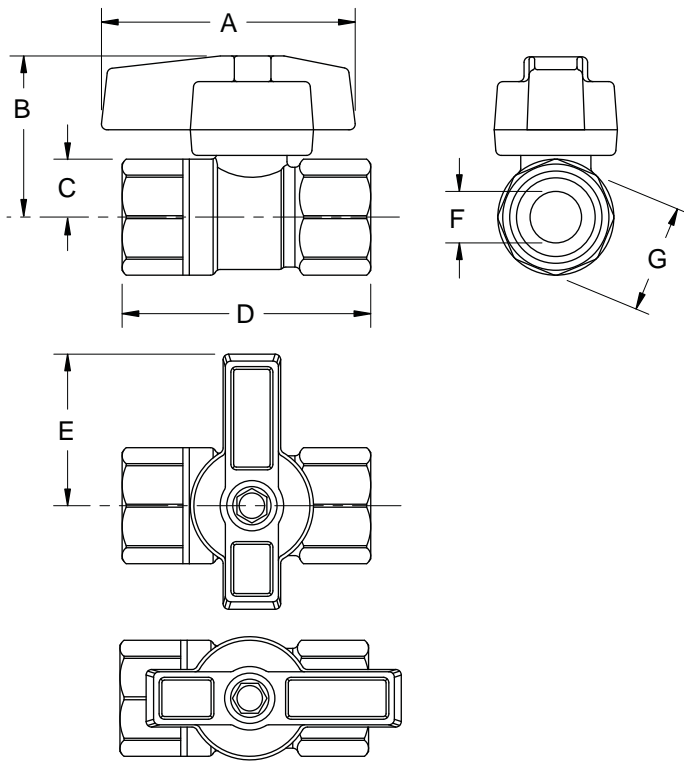
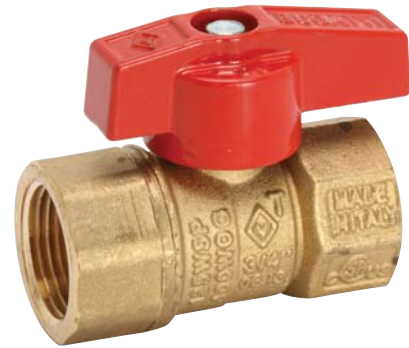
Two-Piece Gas Appliance/Shutoff Ball Valve
 Available in 1/2" IPS & 3/4" IPS
 Forged Brass Construction
 Blowout-Proof/Tamper-Proof Stem
 Removable Lever Handle Rotates 180°
 Chrome-Plated Brass Ball

Performance:

Rated for 1/2 PSIG & 5 PSI Gas
 Cold Working Pressure (WOG) 600 PSI
 Steam Applications (WSP) 125 PSI
 Working Temperature Range -4°F to 248°F

Compliance:

ANSI Z21.15 & CSA Can 1-9.1 for 1/2 PSIG Gas
 ANSI 3-88 (ASME B16-44) & CSA/GCA CR91-002 for 5 PSI Gas
 UL-125 & ULC-C125 for 600 PSI Gas
 UL-842 & UL-C842 for 400 PSI Gas
 UL-258 & UL-C258-03 for 400 PSI Water
 MSS SP-110 (Design) & ASME B1.20.1 (Pipe Threads)



No.	Part	Material	Qty
1.	Screw	Zinc-Plated Steel	1
2.	Handle	Aluminum	1
3.	Upper O-Ring	NBR	1
4.	Ball Seal	PTFE	2
5.	End Connection	C37700 Brass	1
6.	Stem	C38500 Brass	1
7.	Lower O-Ring	NBR	1
8.	Body	C37700 Brass	1
9.	Ball	C37700 Brass	1

Premier Two-Piece Gas Appliance/Shutoff Ball Valves All Dimensions Are Nominal.

Model	Size	A	B	C	D	E	F	G
492008	1/2"	2-1/4"	1-1/2"	1/2"	2-1/4"	1-3/8"	0.47"	1"
492009	3/4"	2-1/4"	1-9/16"	5/8"	2-1/2"	1-3/8"	0.59"	1-1/4"

CAUTION: Cross-tightening during installation can damage this valve. Tighten only from the valve side being installed on the pipe.

MFG Model Series 9660