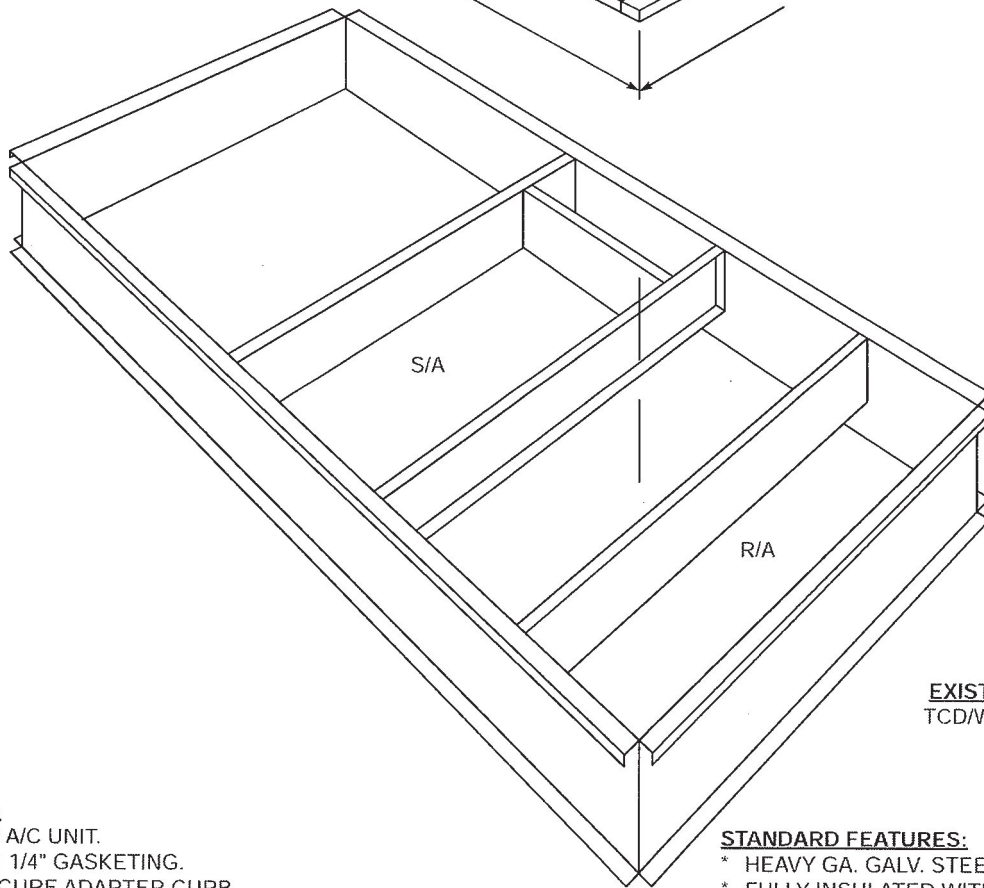
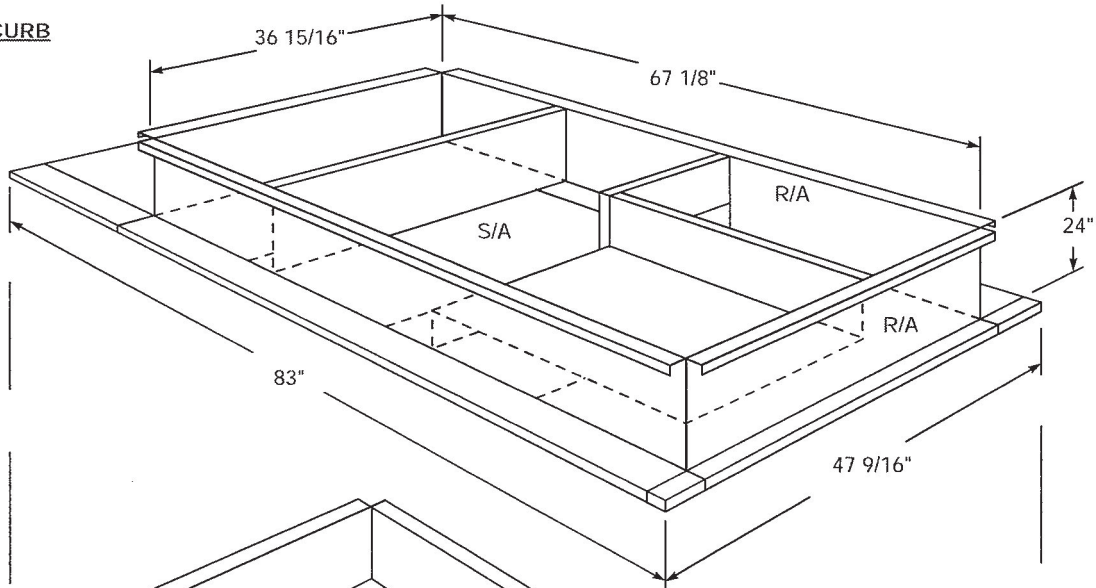


# ADAPTER CURB FOR CARRIER

## 48/50TCA04-07 & 48/50HCA04-06 & 48/50TCQA04-07

**ADAPTER CURB**



**EXISTING TRANE UNIT**  
TCD/WCD/YCD061-120C

**INSTRUCTIONS:**

1. REMOVE OLD A/C UNIT.
2. APPLY 1/4" x 1 1/4" GASKETING.
3. INSTALL & SECURE ADAPTER CURB ON EXISTING CURB AS REQUIRED BY LOCAL BUILDING CODE.
4. APPLY 1/4" x 1 1/4" GASKETING ON ADAPTER CURB.
5. INSTALL & SECURE NEW A/C UNIT ON ADAPTER CURB AS REQUIRED BY LOCAL BUILDING CODE.

**STANDARD FEATURES:**

- \* HEAVY GA. GALV. STEEL CONSTRUCTION
- \* FULLY INSULATED WITH 1" - 1.5 LB. DENSITY INSULATION
- \* 1/4" x 1 1/4" GASKETING
- \* SHIPPED FULLY ASSEMBLED
- \* SUPPLY AND RETURN DUCT CHAMBERS INCLUDED

**PRODUCT SUBMITTAL**

**QUOTE #** \_\_\_\_\_



P.O. BOX 1890  
PINELLAS PARK, FL 33780-1890  
PHONE: 800-237-2275  
FAX: 800-238-1819  
www.plenums.com  
plenums@ix.netcom.com

Plenums Inc. Model \_\_\_\_\_  
Manufacturers Equip. CC345ACTC90  
Approved \_\_\_\_\_  
Date \_\_\_\_\_