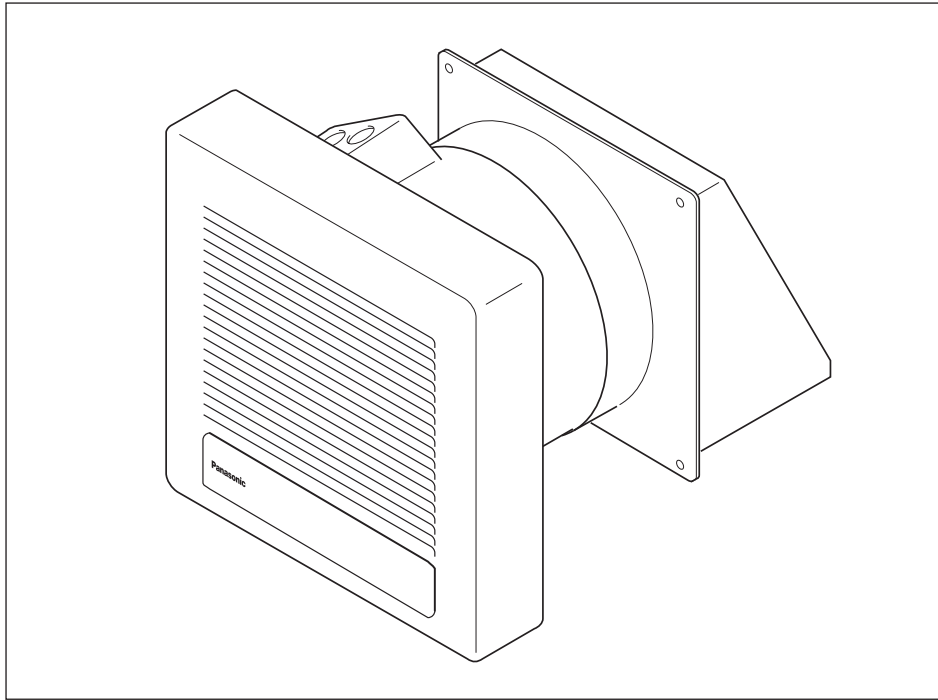


INSTALLATION INSTRUCTIONS

Through the Wall Fan "Whisper Wall"

Ventilating Fan

FV-08WQ1



READ AND SAVE THESE INSTRUCTIONS

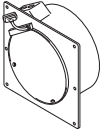



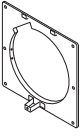
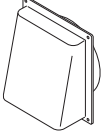


Please read instructions carefully before attempting to install, operate or service the Panasonic Ventilating Fan. Failure to comply with these instructions could result in personal injury and/or property damage. Please retain for future reference.

Table of Contents	Pages
List of components	2
Description	2
Reference installation drawing	2
Dimensions	3
Specifications	4
Unpacking	4
General safety precautions	4
Installation I (In new construction)	5-6
Installation II (In remodeling)	7-8
Maintenance	9-10
Product Service	10

Panasonic®

List of components

FV-08WQ1

Part name	Drawing	Quantity	Part name	Drawing	Quantity
Wall sleeve		1	Screw III (4 x 8)		1
Screw I (4 x 30)		4	Template (Pattern paper)		1
Mounting plate		1	Exterior hood		1
Screw II (4 x 6) (for new construction only)		2	Extension sleeve		1

Description

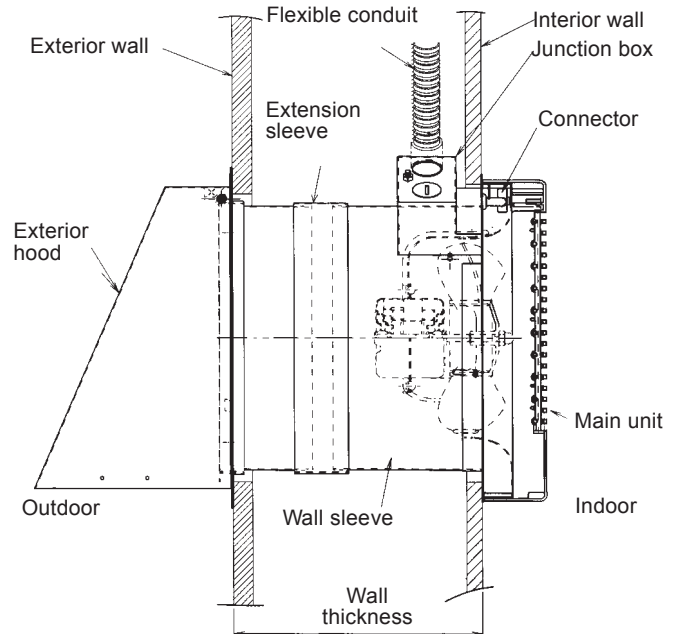
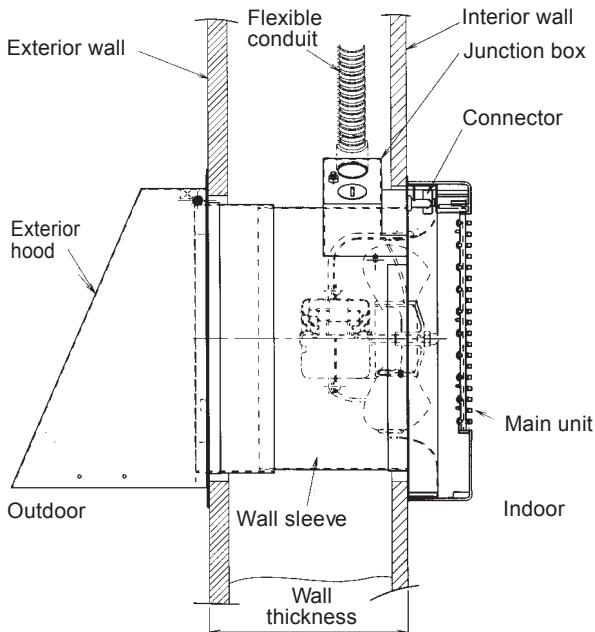
This Panasonic wall mounted ventilating fan uses a propeller fan driven by a capacitor motor. The motor is designed for extended service life with reduced energy consumption. It also incorporates a thermal-cutoff device for safety. The grille is easily detachable from the main unit.

Reference installation drawing

Wall thickness: 114.3 - 152.4 mm (4.5 - 6")
No extension sleeve is used.

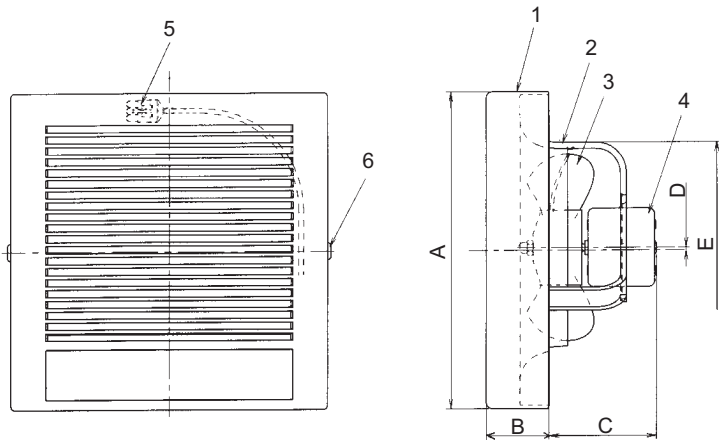
When the wall thickness is between 152.4 mm (6") and 254 mm (10"), mount the extension sleeve as shown below. When the wall thickness is more than 254 mm (10"), prepare an extension sleeve with an inner diameter of 207 mm (8 5/32") and a length of wall thickness minus 127 mm (5"), and mount it as shown below. (The seam should be covered with mastic tape.)

It is strongly recommended that the WhisperWall duct is entirely surrounded with appropriate insulation. Insulation around ducts can reduce energy loss and inhibit mold growth.

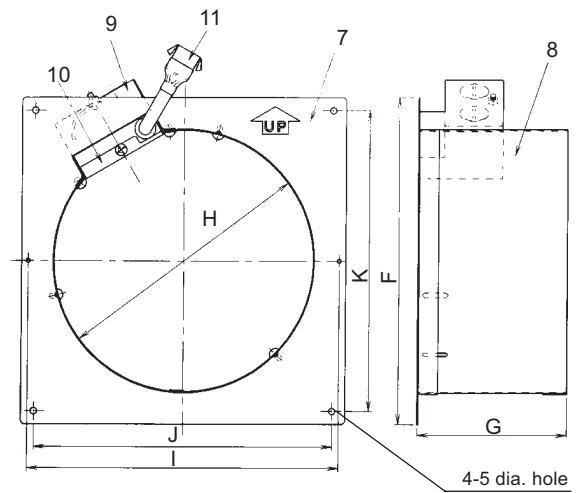


Dimensions

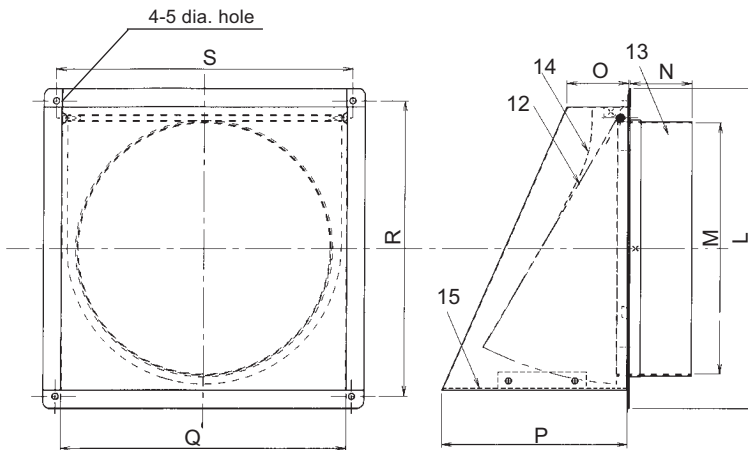
Main unit



Wall sleeve



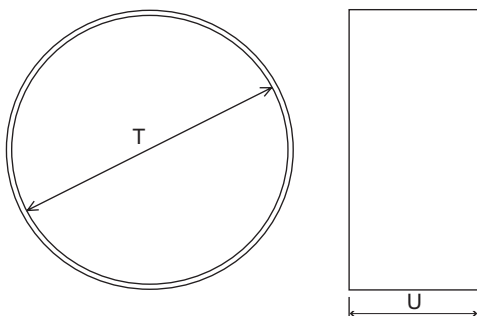
Exterior hood



Unit: mm (inch)

A	B	C	D	E	F
260□ (10-1/4□)	52 (2-1/16)	88 (3-15/32)	2 (3/32)	173∅ (6-13/16∅)	250□ (9-27/32□)
G	H	I	J	K	L
115 (4-17/32)	203 (8)	240 (9-7/16)	230 (9-1/16)	230 (9-1/16)	260□ (10-1/4□)
M	N	O	P	Q	R
204∅ (8-1/32∅)	50 (31/32)	50 (31/32)	150 (5-29/32)	230 (9-1/16)	240 (9-7/16)
S	T	U			
240 (9-7/16)	207 (8-5/32)	127 (5)			

Extension sleeve



No.	Part name
1	Grille
2	Frame
3	Blade
4	Motor
5	Connector
6	Hook
7	Flange
8	Duct
9	Junction box
10	Junction box cover
11	Connector
12	Shutter
13	Duct
14	Spring
15	Bird screen

Specifications

Model	Air direction	V	Hz	Power consumption* ¹ (W)	Speed* ¹ (r/min.)	Air delivery at 0.03"WG (CFM)	Noise	Weight* ² lb. (kg)
FV-08WQ1	Exhaust	120	60	17	1340	70	1.1	3.1 (1.4)

*¹ At 0.0" Static pressure, (Pa)

*² For main unit only.

Unpacking

Unpack and carefully remove unit from the carton. Refer to list of components to verify that all parts were supplied.

General safety precautions

1. Do not install this ventilating fan where air temperature may exceed 104 °F. (40 °C)
2. Make certain that the nominal service voltage is 120V 60 Hz.
3. Follow all local electrical and safety codes, as well as the National Electrical Code (NEC) and the Occupation Safety and Health Act (OSHA).
4. Always disconnect the power source before working on or near the fan, motor or junction box.
5. Protect the power cord from sharp edges, oil, grease, hot surfaces, chemicals, or other objects.
6. Do not kink the power cord.
7. Provide suction parts with proper ventilation.
8. This unit is acceptable for use over a bathtub or shower when installed in a GFCI protected branch circuit.

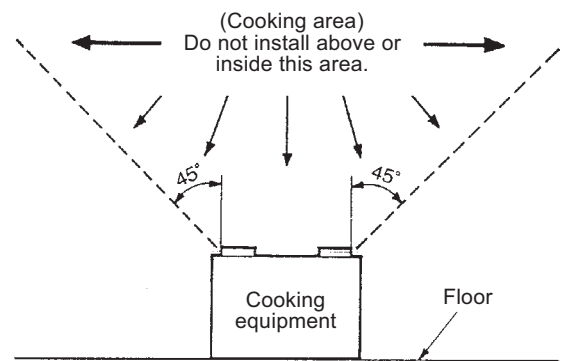


Fig. A

CAUTION:

1. For general ventilating use only. Do not use to exhaust hazardous or explosive materials and vapors.
2. Not for use in cooking area. (Fig. A)
3. This product must be grounded.
4. To reduce the risk of injury to persons, install fan at least 7 - 10 feet (2.1 - 3.05 meters) above the floor.

WARNING:

To Reduce the Risk of Fire or Electric Shock, Do Not use This Fan With Any Solid State Speed Control Device.

WARNING-TO REDUCE THE RISK OF FIRE, ELECTRIC SHOCK, OR INJURY TO PERSONS, OBSERVE THE FOLLOWING:

- A. Use this unit only in the manner intended by the manufacturer. If you have questions, contact the manufacturer.
- B. Before Servicing or Cleaning Unit, Switch Power Off At Service Panel And Lock Service Panel To prevent Power From Being Switched On Accidentally. When the service disconnecting means cannot be locked, securely fasten a prominent warning device, such as a tag, to the service panel.
- C. Installation Work And Electrical Wiring Must Be Done By Qualified Persons In Accordance With All Applicable Codes And Standards, Including Fire Rated Construction.
- D. Sufficient air is needed for proper combustion and exhausting of gases through the flue (chimney) of fuel burning equipment to prevent back drafting. Follow the heating equipment manufacturer's guideline and safety standards such as those published by the National Fire protection Association (NFPA), and the American Society for Heating, Refrigeration and Air Conditioning Engineers (ASHRAE) and the local code authorities.
- E. When cutting or drilling into wall or ceiling, do not damage electrical wiring and other hidden utilities.
- F. Ducted fans must always be vented to the outdoors.
- G. If this unit is to be installed over a tub or shower it must be marked as appropriate for this application.
- H. NEVER place a switch where it can be reached from a tub or shower.

Installation I (In new construction)

NOTE:

If the wall thickness is more than 152.4 mm (6"), refer to the reference installation drawing when the wall thickness is more than 152.4 mm (6") on page 2. However, this ventilating fan can be installed on an interior wall with a thickness of 12.7 – 16 mm (1/2 – 5/8"). For installation on other walls, refer to the method on page 7, Installation II.

1. Cut a 215 mm (8 1/2") diameter hole in the wall. (Fig. 1) (Cut the hole next to a wall stud as shown in the figure.).

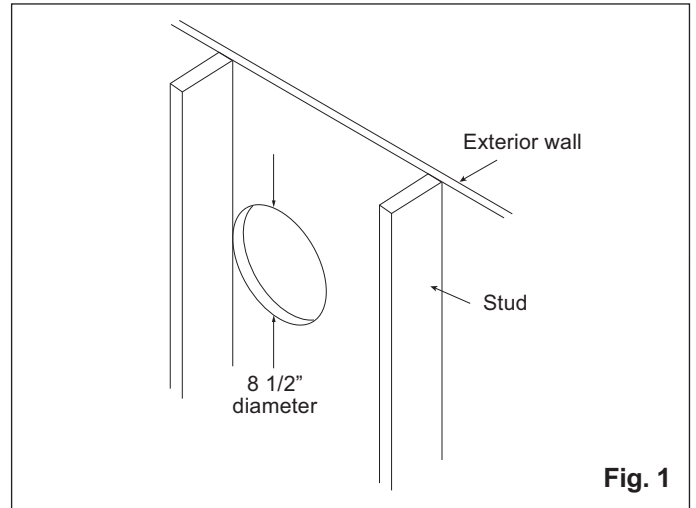


Fig. 1

2. Adjust position of the flange on the wall sleeve (Fig. 2). Loosen the three screws (arrow pointed) and slide the wall sleeve horizontally to adjust its position to compensate for the thickness of the interior wall (A). When this has been done, tighten all three screws.

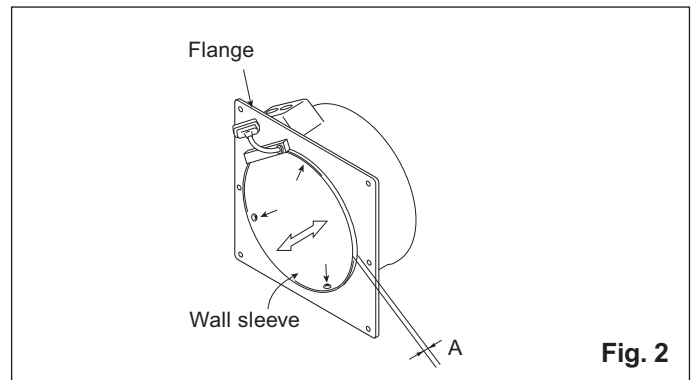


Fig. 2

3. After providing a 3 mm notch in the wall stud, secure the flange to the wall stud with supplied screws (Screw I). (Fig. 3)
4. Remove the junction box cover by removing screw (B).
5. Remove one of the knockout holes in the junction box.

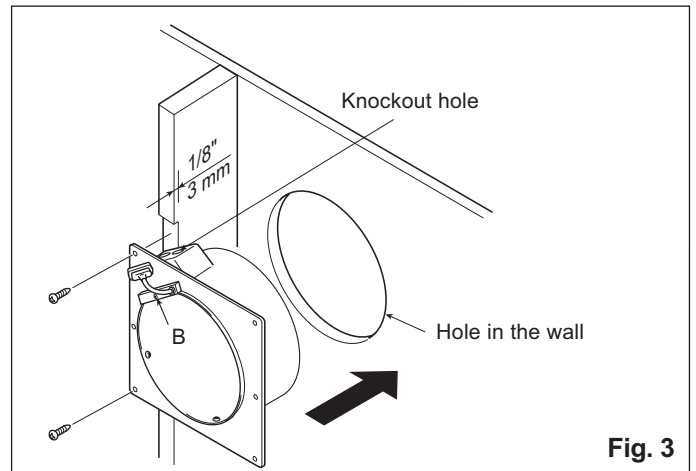
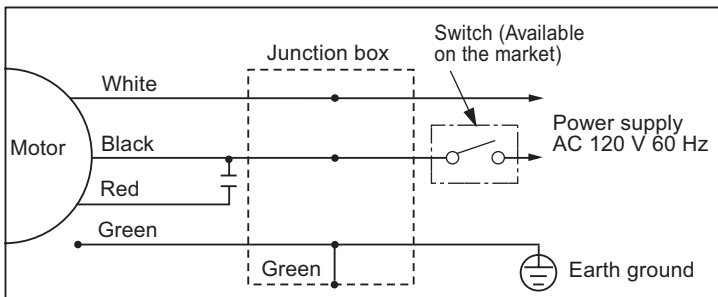


Fig. 3

Wiring Diagram



6. Refer to the wiring diagram above. Using the wire nuts, connect the house power wires to ventilating fan wires. (Fig. 4): black to black; white to white; green to greens. Reattach the junction box cover.

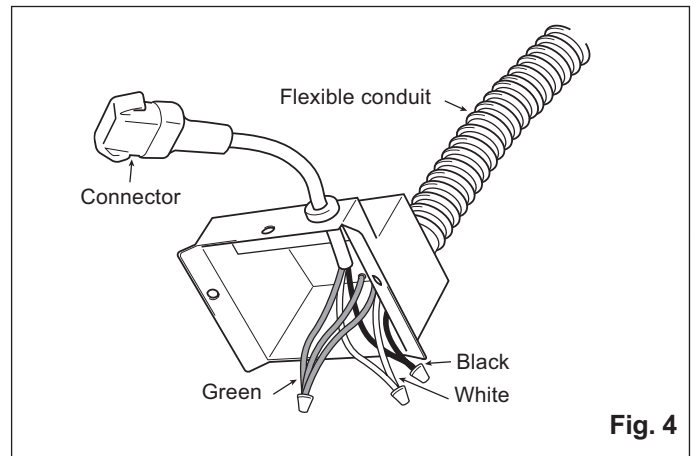


Fig. 4

CAUTION:

Reattach the junction box cover carefully so that the lead wires are not pinched by the cover.

Installation I (In new construction) - continue

7. Insert the attached exterior hood from the outside to cover the wall sleeve, and secure it with four screws or nails. Cover the seam between the wall sleeve and exterior hood with mastic tape and apply mortar or caulking to prevent rainwater from penetrating into the stud cavity.

NOTE:

Insure the hole in the exterior wall is appropriately air blocked and sealed with caulk, foam or mastic to prevent air, humidity and water from infiltrating into the stud cavity.

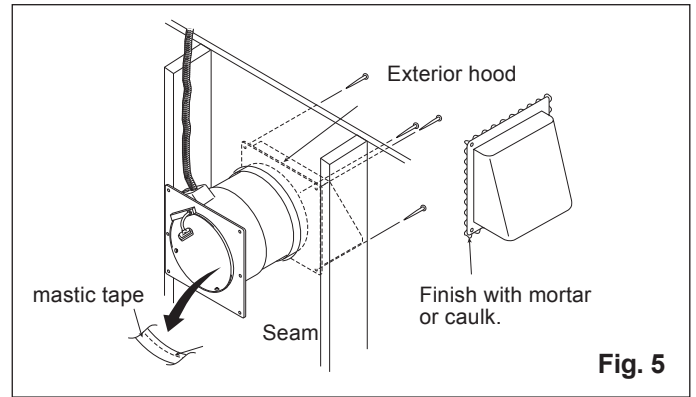


Fig. 5

8. Using enclosed template (pattern paper), mark and cut the opening in the interior wall cover. (Fig. 6)

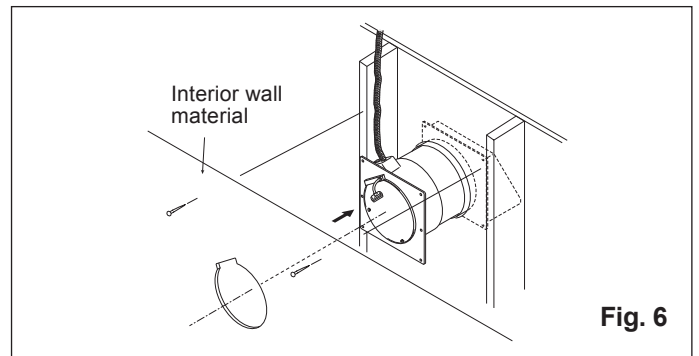


Fig. 6

9. Press the mounting plate tightly against the wall and secure to the outside of the wall sleeve with the supplied screws (screw II). (Fig. 7)

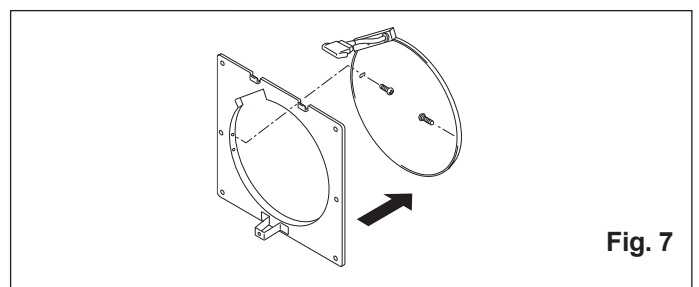


Fig. 7

10. Remove the grille from the fan unit. Press the spring locks on the sides and pull the grille back. (Fig. 8)

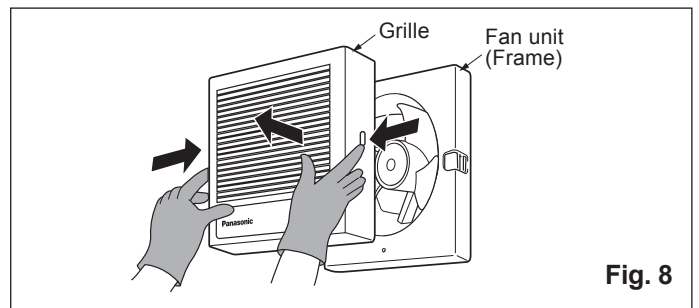


Fig. 8

11. Attach the electrical connectors to each other, hook the frame latches onto the mounting plate latch, and secure the fan unit to the mounting plate with the supplied screw (screw III). (Fig. 9)

CAUTION:

Do not pinch the power cord with the frame.

12. Reattach the grille to the frame.

CAUTION:

Press on the grille until it clicks.

NOTE:

Be sure to paint the exterior hood. Before painting, thoroughly wipe off any oil on the surface. Also make sure that the paint does not enter inside of the hood.

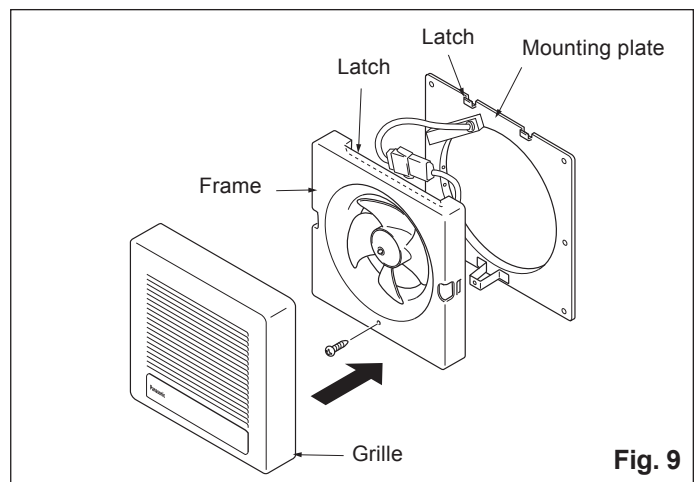


Fig. 9

Installation II (In remodeling)

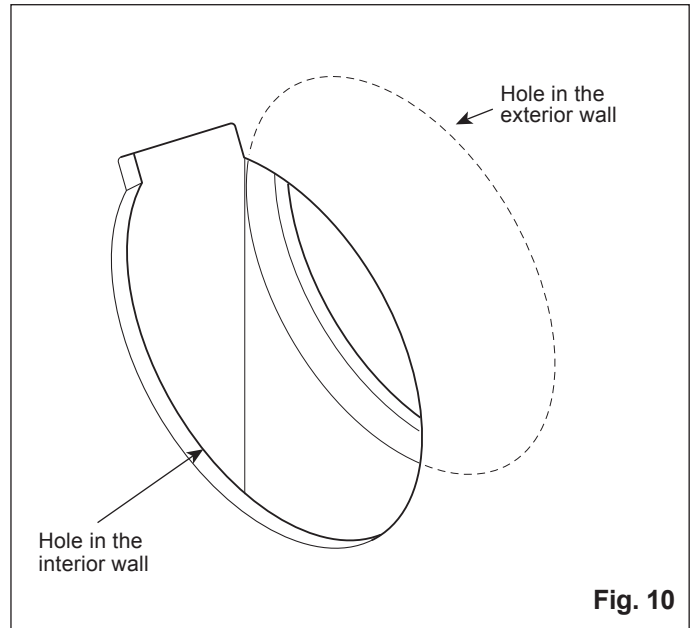
NOTE:

If the wall thickness is more than 152.4 mm (6"), refer to the reference installation drawing when the wall thickness is more than 152.4 mm (6") on page 2.

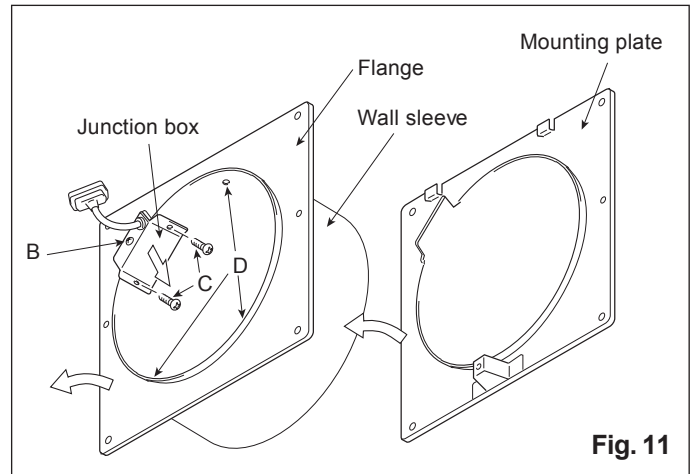
1. Cut holes in the interior and exterior walls. (Fig. 10)
Cut a hole in the interior wall using the attached template (pattern paper), and make a 215 mm (8 1/2") hole in the exterior wall.

CAUTION:

The hole should be made in an area where pipes, cables and telephone lines are not run, and there are no studs in the way.



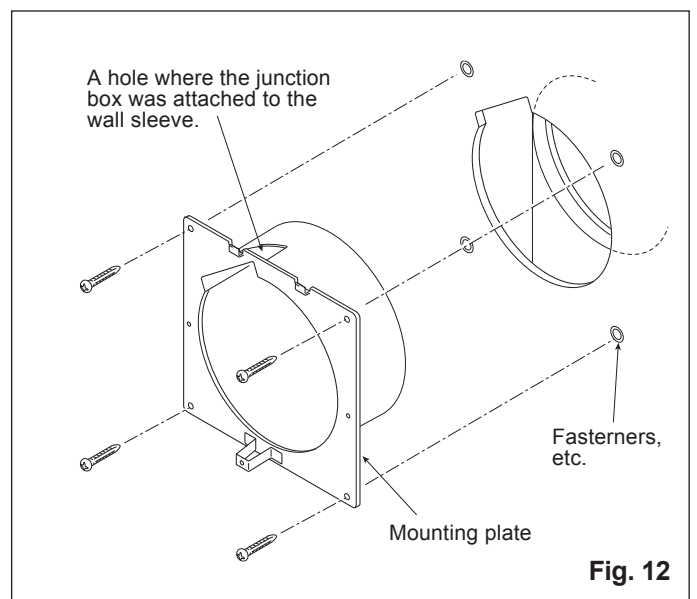
2. Lay interior wiring through the wall using a flexible conduit.
3. Remove the junction box from the wall sleeve by removing two screws (C). (Fig. 11)
4. Remove the junction box cover by removing screw (B).
5. Remove the screws (D) and replace the wall sleeve flange with the mounting flange. (The mounting plate face should align with the end of the wall sleeve which is protruding from indoor side.)



6. Attach the wall sleeve to the wall with supplied screws (Screw I). (Fig. 12)

If the interior wall material is plaster board, use appropriate fasteners (locally available) to secure the wall sleeve.

It is recommended to cover the seam between the wall sleeve and hole through the exterior wall with caulk, foam or mastic to prevent rainwater and air infiltration from coming into stud cavity.



Installation II (In remodeling)- continued

7. Insert the attached exterior hood from the outside to cover the wall sleeve, and secure it with four screws or nails. Cover the seam between the wall sleeve and exterior hood with mastic tape and apply mortar or caulking to prevent rainwater from penetrating into the stud cavity. (Fig. 13)

Try to leave as much insulation in place as possible to help prevent condensation from forming. Insulation around ducts can reduce energy loss and inhibit mold growth.

8. Pull the flexible conduit through the hole where the junction box was attached to the wall sleeve. (Fig. 14)
9. Remove the knockout hole in the junction box and secure one end of the flexible conduit to the junction box.

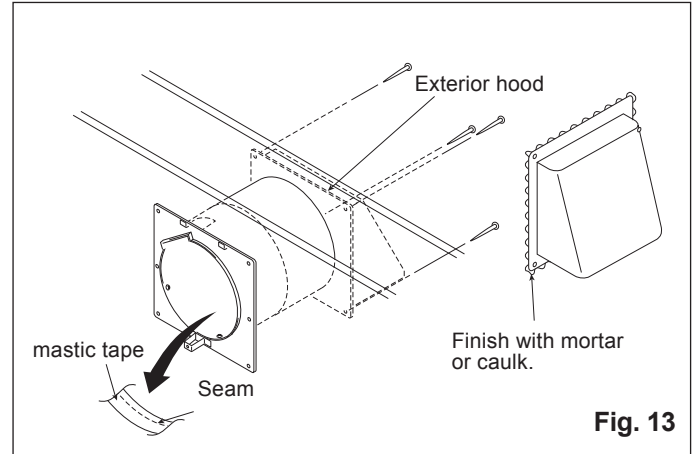
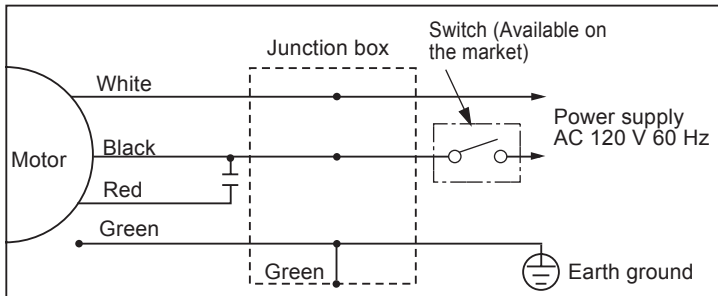


Fig. 13

Wiring Diagram



10. Refer to the wiring diagram above. Using the wire nuts, connect the house power wires to ventilating fan wires. (Fig. 4 on page 5): black to black; white to white; green to greens.
11. Place the junction box in its original position in the wall sleeve and reattach the box cover. (Fig. 15)

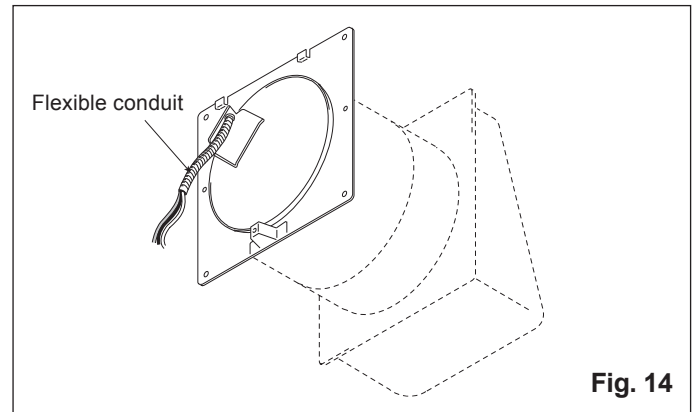


Fig. 14

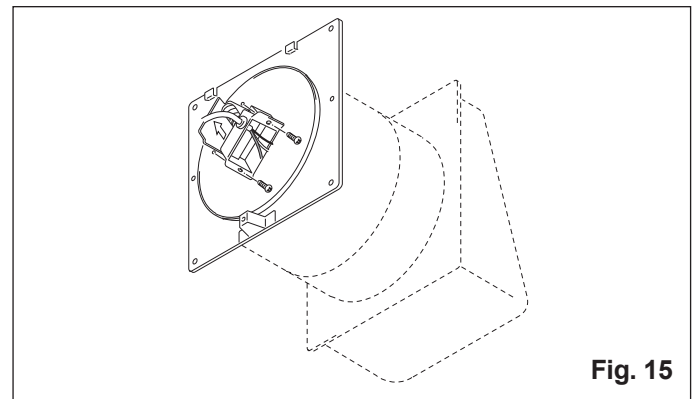


Fig. 15

CAUTION:

Reattach the junction box cover carefully so that the lead wires are not pinched by the cover.

12. Remove the grille from the fan unit. (Fig. 8 on page 6)
13. Attach the electrical connectors to each other, hook the frame latches onto the mounting plate latch, and secure the fan unit to the mounting plate with the supplied screw (screw III). (Fig 16)
14. Reattach the grille to the frame.

CAUTION:

Press on the grille until it clicks.

NOTE:

Be sure to paint the exterior hood. Before painting, thoroughly wipe off any oil on the surface. Also make sure that the paint does not enter inside of the hood.

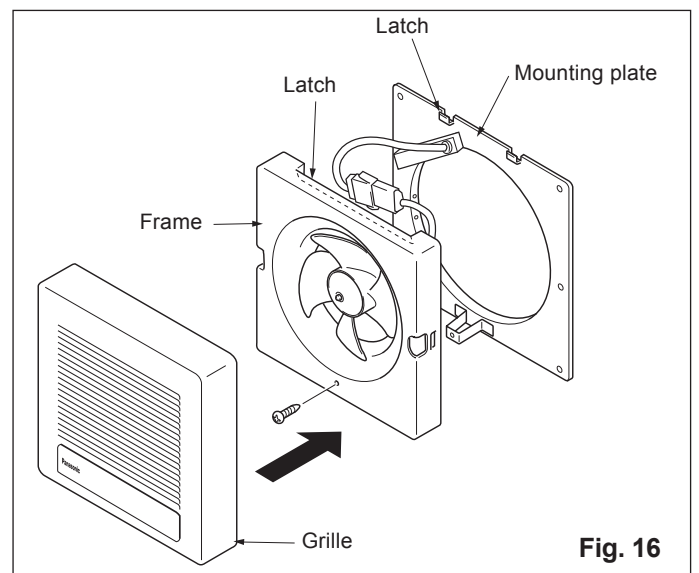


Fig. 16

Maintenance

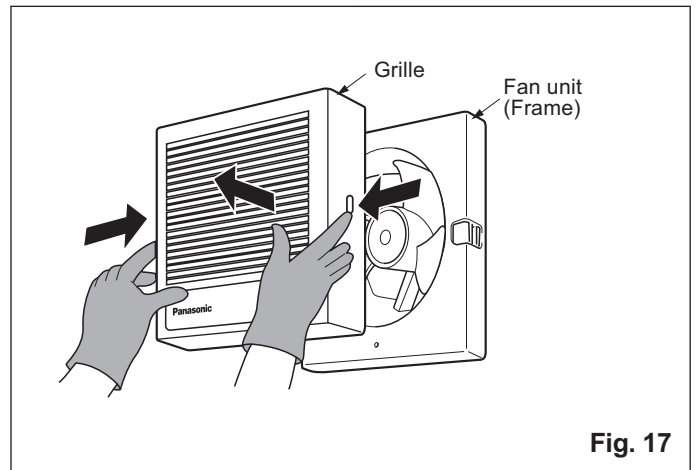
WARNING:

Turn off the units power before performing maintenance. Perform maintenance procedure monthly.

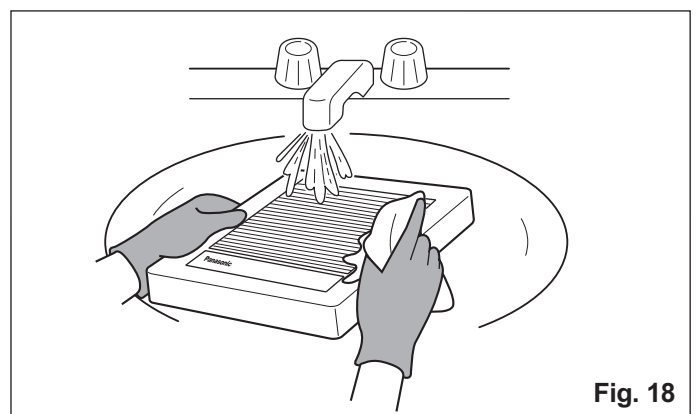
CAUTION:

1. Never use gasoline, benzene, paint thinner or other similar chemicals for cleaning the ventilating fan.
2. Do not allow water to enter the motor and motor compartment.
3. Do not immerse resin parts in water with temperature higher than 140°F (60°C).

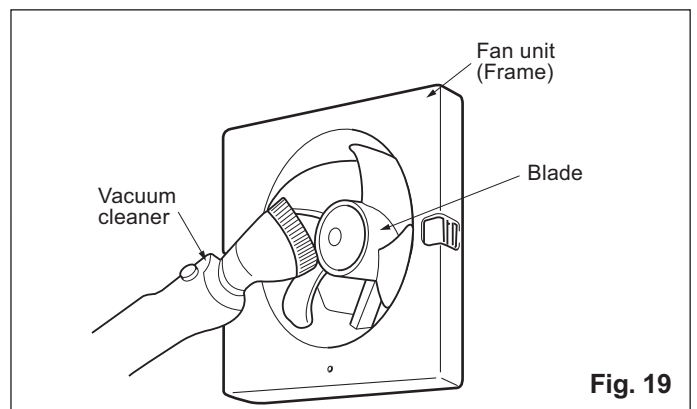
1. Remove the grille (Hold the grille and press the hooks on each side simultaneously. Pull the grille straight out from the wall.) (Fig. 17)



2. Wash and clean the grille (Use non-abrasive kitchen detergent). Wipe it dry with a clean cloth. (Fig. 18)

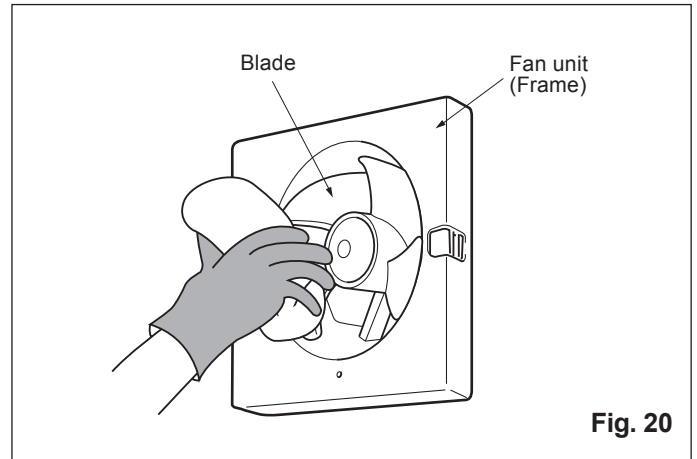


3. Remove dust and dirt from the fan blades and body using a vacuum cleaner. (Fig. 19)



Maintenance - continued

- Using a cloth dampened with a non-abrasive kitchen detergent, remove any dirt from the fan blades and body. Wipe them dry with a clean cloth. (Fig. 20)
- Reattach the grille.



CAUTION:

Press on the grille until it clicks.

Product service

Warning concerning removal of covers.

This unit should be serviced by qualified technicians only. No service information is provided for customers. Your product is designed and manufactured to ensure a minimum of maintenance. However, should your unit ever require service, a nationwide system of factory service centers and AUTHORIZED INDEPENDENT SERVICE CENTER is maintained to support your product's warranty. (In the U.S.A., call 1-800-545-2672 to locate the PASC Authorized Service Center nearest you.)

Panasonic Corporation of North America

Two Riverfront Plaza , Newark , NJ07102

www.panasonic.com

Panasonic Canada Inc.

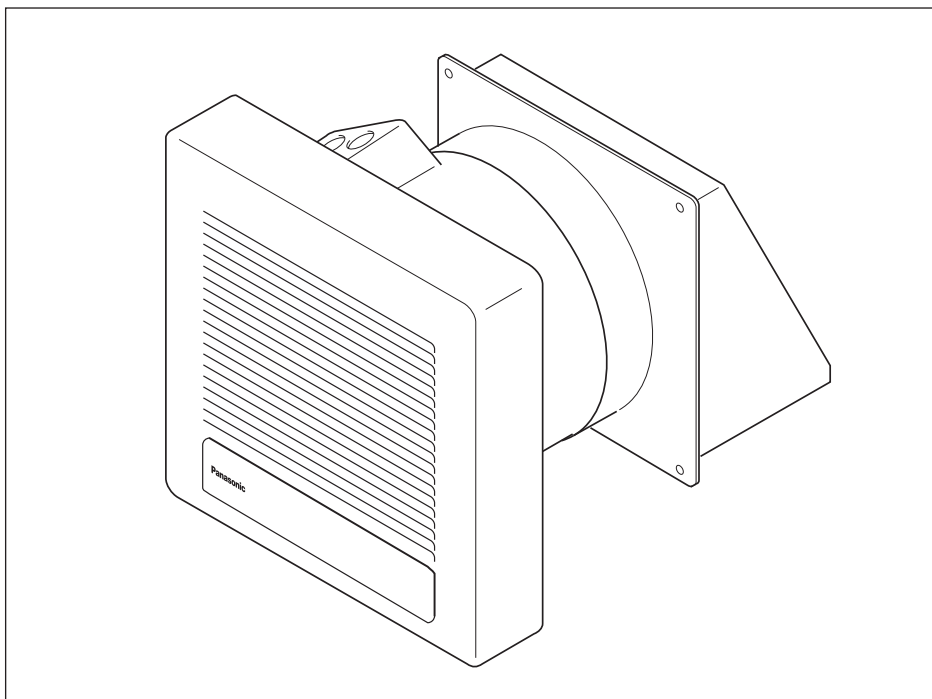
5770 Ambler Drive Mississauga,
Ontario, L4W 2T3

NOTICE DE MONTAGE

Sur cloison de refend "Whisper Wall"

Aérateur

FV-08WQ1



LIRE ET CONSERVER CE MANUEL

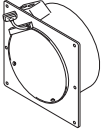



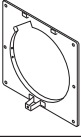
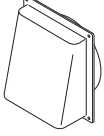


Veuillez lire attentivement le présent manuel avant d'installer, utiliser ou réparer ce ventilateur Panasonic. La non observation des instructions et recommandations peut entraîner un risque de blessure personnelle et(ou) de dommages matériels. Conserver ce manuel pour référence ultérieure.

Table des matières	Page
Accessoires fournis	2
Description.....	2
Plan de montage pour référence	2
Dimensions	3
Caractéristiques	4
Déballage	4
Impératifs de sécurité.....	4
Montage I (dans construction neuve)	5-6
Montage II (dans construction existante)	7-8
Entretien.....	9-10
Service après-vente	10

Panasonic[®]

Accessoires fournis

FV-08WQ1

Désignation	Dessin	Quantité	Désignation	Dessin	Quantité
Traverée de mur		1	Vis III (4 x 8)		1
Vis I (4 x 30)		4	Patron		1
Plaque de fixation		1	Housse		1
Vis II (4 x 6) (pour construction neuve uniquement)		2	Gaine flexible		1

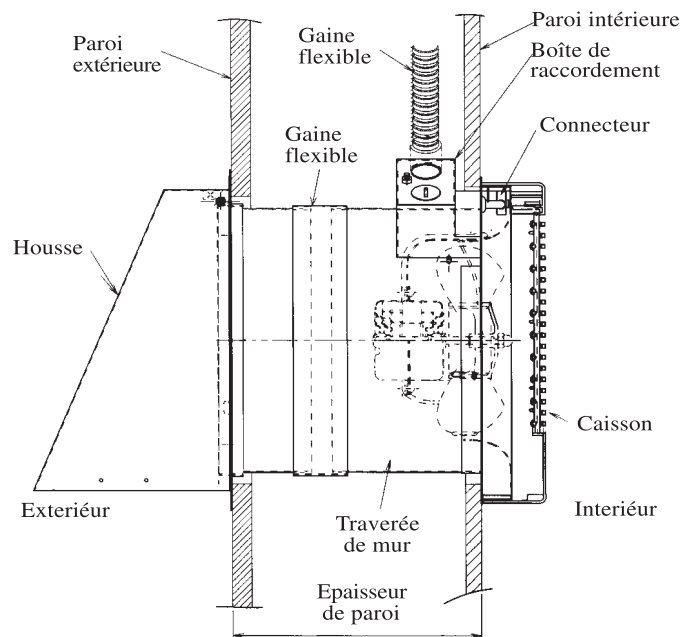
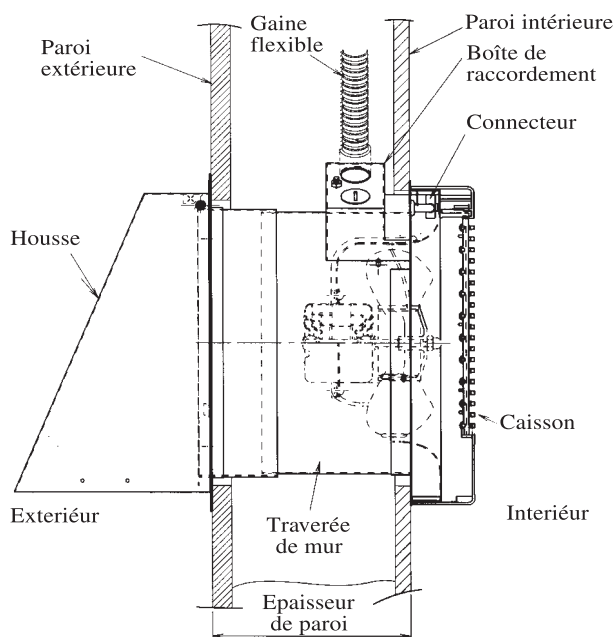
Description

Cet aérateur Panasonic à fixation murale comporte un ventilateur hélicoïdal actionné par un moteur à condensateur. Le moteur bénéficie d'une construction lui assurant à la fois une durée de vie prolongée et une consommation électrique réduite. Il est également protégé par un rupteur thermique. La grille amovible se démonte facilement.

Plan de montage pour référence

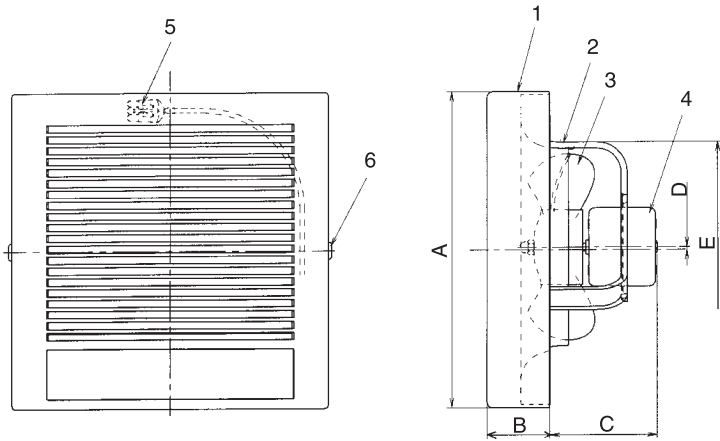
Epaisseur de paroi: 114,3 - 152,4 mm (4,5 - 6")
Aucune gaine flexible n'est pas utilisée.

Quand l'épaisseur de la paroi est entre 152,4 mm (6") et 254 mm (10"), attacher la gaine flexible de manière illustrée ci-dessous. Quand l'épaisseur de la paroi est supérieure à 254 mm (10"), préparer une gaine flexible de diamètre intérieur de 207 mm (8 5/32") et de longueur égale à l'épaisseur du mur moins 127 mm (5") et attacher celle-ci de manière illustrée ci-dessous. (Le joint doit être recouvert d'un ruban d'aluminium.)

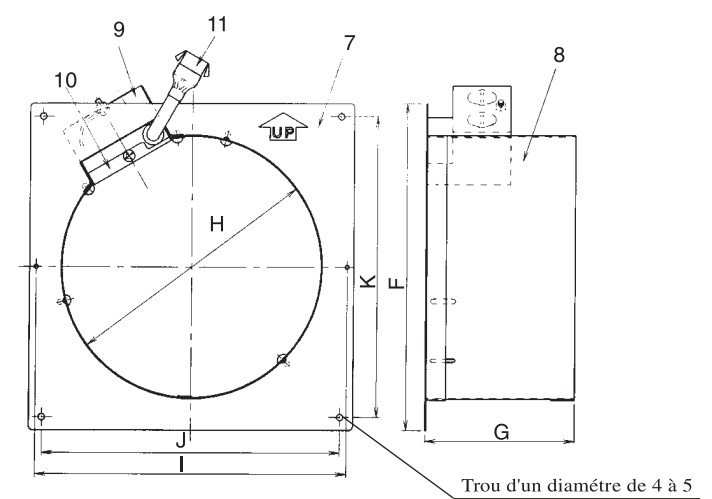


Dimensions

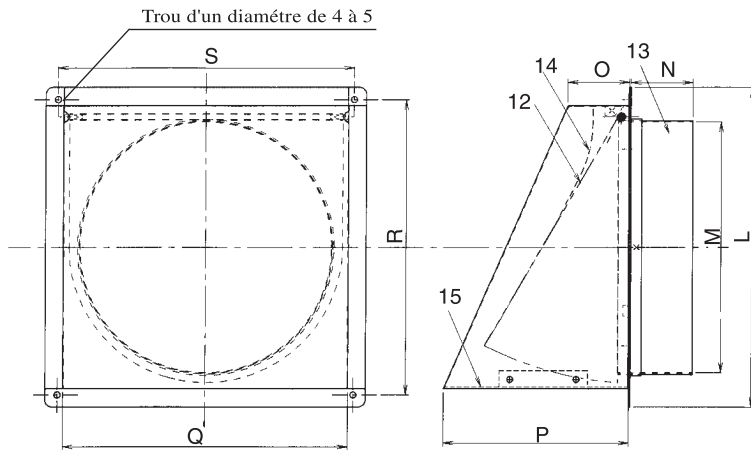
Caisson principal



Traverée de mur



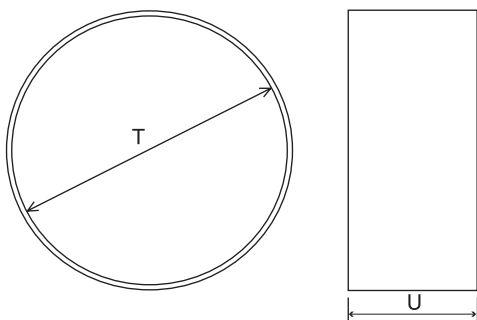
Housse



Unité: mm (po)

A	B	C	D	E	F
260□ (10-1/4□)	52 (2-1/16)	88 (3-15/32)	2 (3/32)	173ø (6-13/16ø)	250□ (9-27/32□)
G	H	I	J	K	L
115 (4-17/32)	203 (8)	240 (9-7/16)	230 (9-1/16)	230 (9-1/16)	260□ (10-1/4□)
M	N	O	P	Q	R
204ø (8-1/32ø)	50 (31/32)	50 (31/32)	150 (5-29/32)	230 (9-1/16)	240 (9-7/16)
S	T	U			
240 (9-7/16)	207 (8-5/32)	127 (5)			

Gaine flexible



No.	Dégnation
1	Grille
2	Carcasse
3	Pale
4	Moteur
5	Connecteur
6	Crochet
7	Bride
8	Conduit
9	Boîte de raccordement
10	Couvercle de boîte de raccordement
11	Connecteur
12	Volet obturateur
13	Conduit
14	Ressort
15	Écran d'oiseau

Caractéristiques

Modèle	Sens du flux	V	Hz	Consommation électrique* ¹ (W)	Vitesse* ¹ (tr/min.)	Débit d'air pour 0,03" WG (PCM)	Bruit (sone)	Poids* ² lb. (kg)
FV-08WQ1	Evacuation	120	60	17	1340	70	1.1	3.1 (1.4)

*¹ Pour 0.0" de pression statique (Pa)

*² Pour le caisson principal seulement.

Déballage

Défaire l'emballage et sortir l'appareil du carton en procédant avec précaution. Se reporter à la liste des accessoires fournis pour vérifier qu'aucune pièce ne manque.

Impératifs de sécurité

1. Ne pas installer l'arérateur où la température peut dépasser 40 °C (104 °F).
2. S'assurer que la tension nominale du réseau électrique soit de 120 V, 60 Hz.
3. Observer les réglementations et les normes de sécurité et d'installation des équipement électriques en vigueur ainsi que le Code National de l'Electricité (NEC) et l'arrêté relatif à la protection des travailleurs (OSHA).
4. Toujours débrancher l'appareil avant d'intervenir sur le ventilateur, le moteur ou la boîte de raccordement ou à leur proximité.
5. Ne pas mettre le cordon d'alimentation électrique au contact d'arêtes vives, d'huile, de graisse, de surfaces chaudes, de produits chimiques ni d'autres matières susceptibles de l'endommager.
6. Ne pas entortiller le cordon d'alimentation électrique.
7. Ménager une ventilation adéquate aux parties assurant l'aspiration.
8. Cet appareil peut être utilisé au-dessus d'une baignoire ou d'une douche dans la mesure où il est raccordé à un circuit de dérivation électrique protégé par une mise à la terre.

ATTENTION:

1. Appareil à usage de ventilation uniquement. A ne pas utiliser pour évacuer des matières et des vapeurs dangereuses ou explosives.
2. A ne pas utiliser au-dessus d'un plan de cuisine (voir Fig. A).
3. Cet appareil doit être relié à la terre.
4. Afin de réduire le risque de dommages aux personnes, installer un ventilateur à une hauteur d'au moins 2,1 à 3,05 mètres (7 à 10 pieds) au-dessus du plancher.

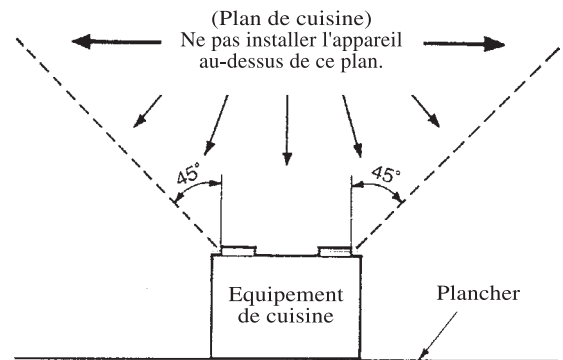


Fig. A

Avertissement:

Pour réduire le risque de feu et de choc électrique, ne pas utiliser ce ventilateur avec un appareil de contrôle de vitesse à l'état solide.

Avertissement -- Pour réduire les risques de feu, de choc électrique ou de blessures à des personnes, observez les mesures suivantes:

- A. Utiliser l'appareil seulement de la manière recommandée par le fabricant. Si vous avez quelques questions, contacter le fabricant.
- B. Avant l'utilisation ou le nettoyage, placer l'interrupteur à "arrêt" et à "barrer" sur le panneau de service pour prévenir que le courant revienne en actionnant accidentellement l'interrupteur de mise en marche.
Lorsque le service de déconnexion ne peut être verrouillé, attacher solidement une étiquette de sécurité sur le panneau de contrôle."
- C. L'installation et le filage électrique doit être fait par des personnes compétentes et qualifiées en accord avec tous les codes et toutes les normes incluant les normes de construction en ce qui concerne les feux.
- D. Un apport d'air suffisant est nécessaire pour une bonne combustion et une évacuation des gaz efficace dans la cheminée de l'équipement de combustion des gaz pour prévenir les retours. Suivre les normes de sécurité et les lignes de conduites du fabricant de l'équipement de chauffage comme ceux publiés par la National Fire Protection Association (NFPA), the American Society for Heating, Refrigeration and Air Conditioning Engineers (ASHRAE) et le code local des autorités concernées.
- E. Lorsque vous coupez ou percez dans un mur ou un plafond, ne pas endommager le filage électrique ou tout autre équipement caché.
- F. Les ventilateurs dans les canalisations doivent toujours être dirigés vers l'extérieur.
- G. Si l'appareil doit être installé par-dessus un bain ou une douche, il doit être conformément marqué pour cette application.
- H. Ne JAMAIS placer un interrupteur dans un endroit où il peut être atteint à partir d'un bain ou d'une douche.

Montage I (dans construction neuve)

REMARQUE:

Quand l'épaisseur de la paroi est supérieure à 152,4 mm (6"), se reporter à la figure de montage pour référence à la page 2. Toutefois, le ventilateur peut être monté sur la paroi intérieure de 12,7 à 16 mm (1/2 à 5/8") d'épaisseur. Pour le montage dans les autres endroits, se reporter au Montage II de la page 7.

1. Réaliser un trou de 215 mm (8 1/2") de diamètre dans la cloison (voir Fig. 1).
(Réaliser le trou à proximité d'un montant de cloison comme montré en figure jointe).

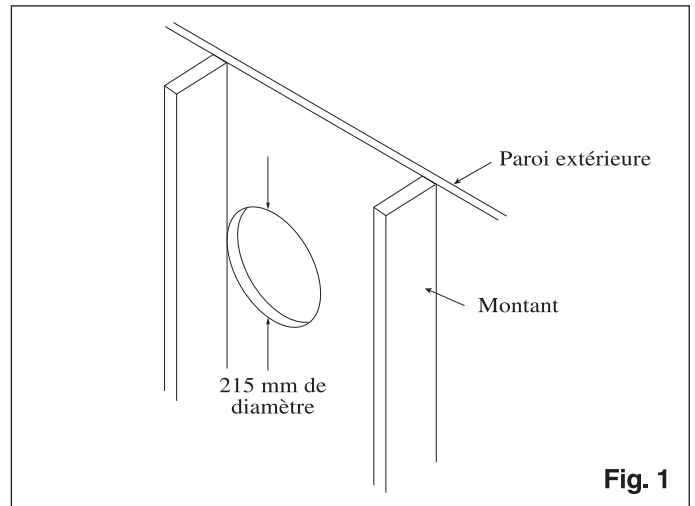


Fig. 1

2. Ajuster la position de la bride sur la traversée (voir Fig. 2). Desserrer les trois vis (indiquées par flèches) et engager la traversée horizontalement en ajustant sa position de façon à tenir compte de l'épaisseur du matériau de la paroi intérieure de cloison (A). Resserrer ensuite les trois vis.

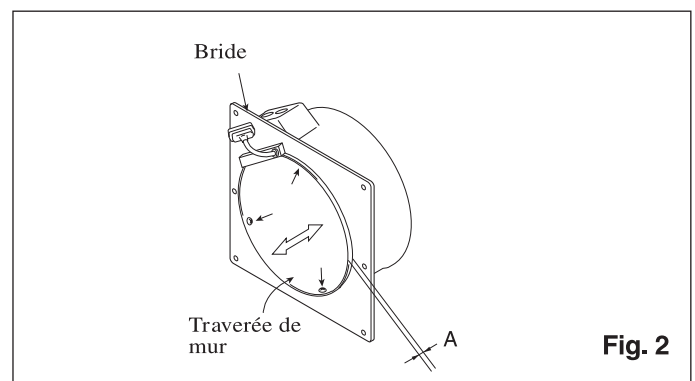


Fig. 2

3. Après avoir réalisé une entaille de 3 mm dans le montant, fixer la bride sur le montant de cloison avec les vis fournies (vis I) (voir Fig. 3).
4. Déposer la boîte de raccordement en enlevant la vis (B).
5. Enlever l'un des couvercles de la boîte de raccordement.

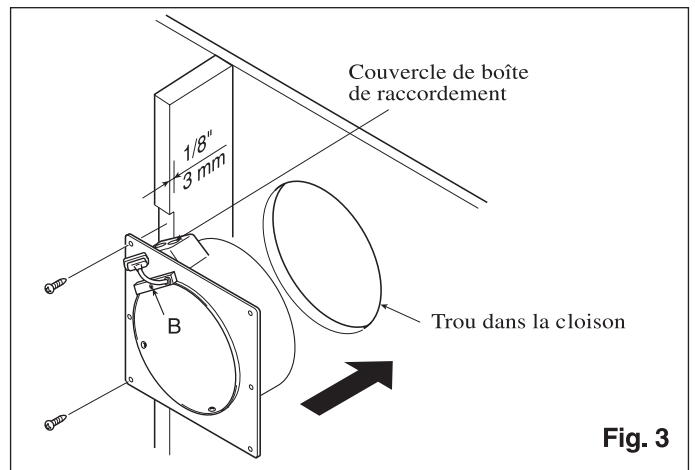
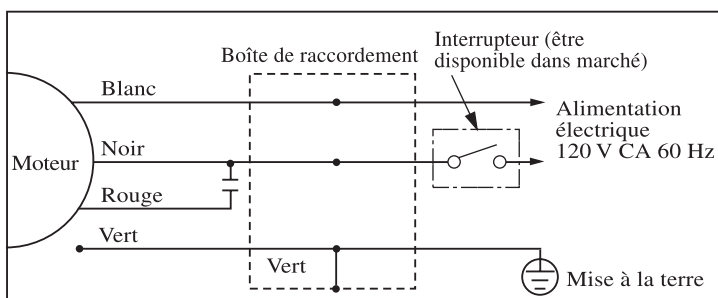


Fig. 3

Schéma de branchement



6. Se reporter au schéma de branchement ci-dessus. Raccorder à l'aide de dominos les fils électriques du secteur à ceux de l'aérateur. (voir Fig. 4): noir à noir, blanc à blanc et vert à vert. Reposer le couvercle de la boîte de raccordement.

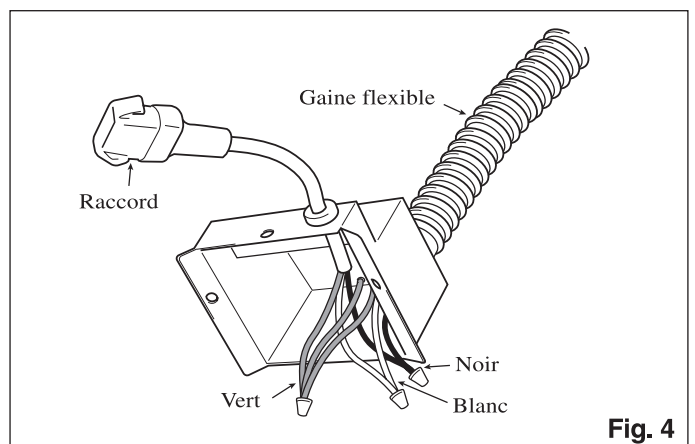


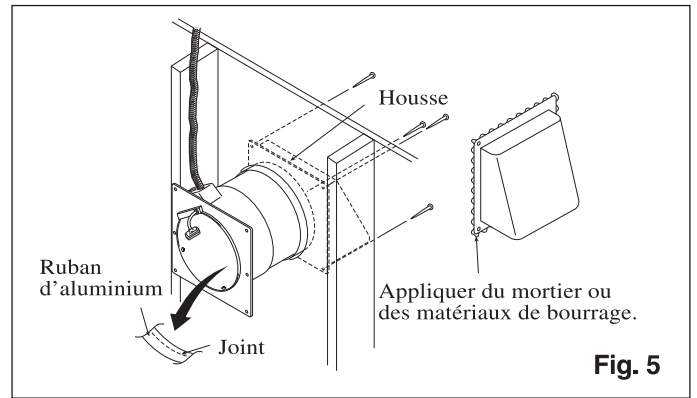
Fig. 4

ATTENTION:

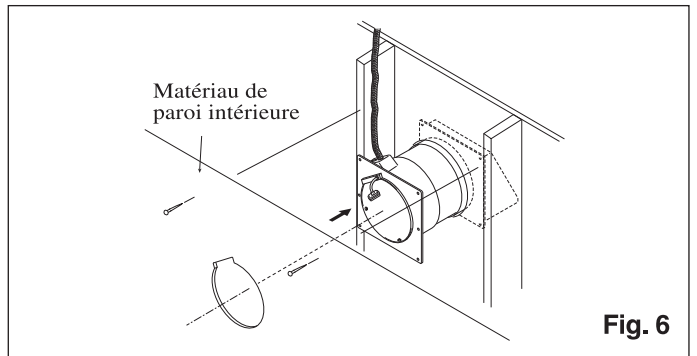
Reposer la couvercle de la boîte de raccordement avec précaution afin de ne pas la écraser les fils électriques.

Montage I (dans construction neuve) - suite

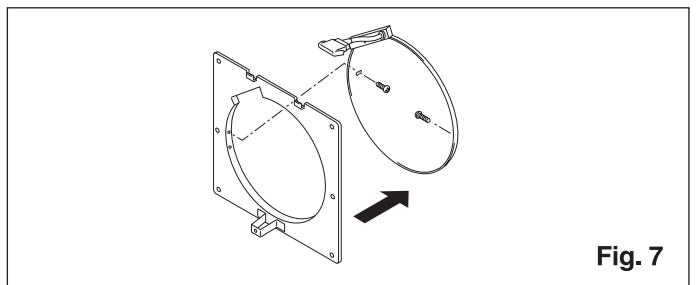
7. Introduire de l'extérieur la housse fournie en accessoire pour recouvrir la traversée la fixer avec quatre vis ou clous. Recouvrir le joint entre la traversée de mur et la housse à l'aide d'un ruban d'aluminium et appliquer du mortier ou des matériaux de bourrage autour de la bride de housse afin d'éviter la pénétration de la pluie. (Fig. 5)



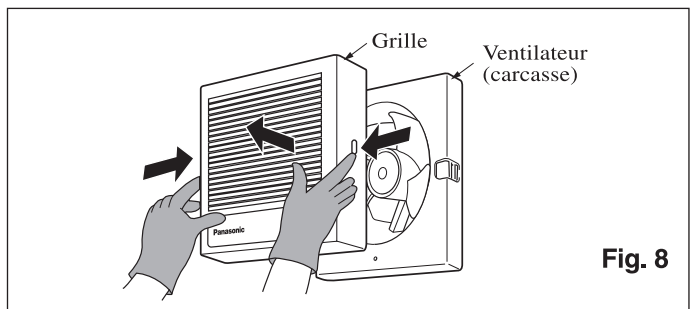
8. A l'aide du patron joint, tracer l'emplacement et réaliser le trou à la dimension requise dans la paroi intérieure de la cloison (voir Fig. 6).



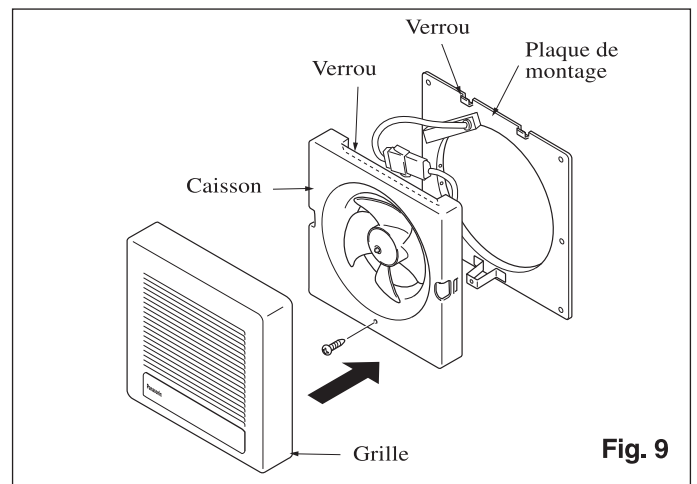
9. Appliquer fort la plaque de montage contre le mur et la fixer à l'extérieur de la traversée de mur à l'aide des vis fournies. (vis II) (voir Fig. 7).



10. Enlever la grille du ventilateur.
Appuyer sur ses verrous de chaque côté et tirer la grille vers soi pour la dégager (voir Fig. 8).



11. Relier les conneteurs entre eux, accrocher le ventilateur sur la plaque de montage et les fixer à l'aide de vis fournies en accessoire (vis III). (Fig. 9)



ATTENTION:

Ne pas écraser le cordon d'alimentation contre le caisson.

12. Remonter la grille sur le caisson.

ATTENTION:

Pousser la grille jusqu'à son encliquetage.

REMARQUE:

S'assurer d'appliquer de la peinture sur la housse. Pour cet effet, éliminer complètement l'huile de la surface au préalable. S'assurer également que la peinture n'entre pas dans la housse.

Montage II (dans construction existante)

REMARQUE:

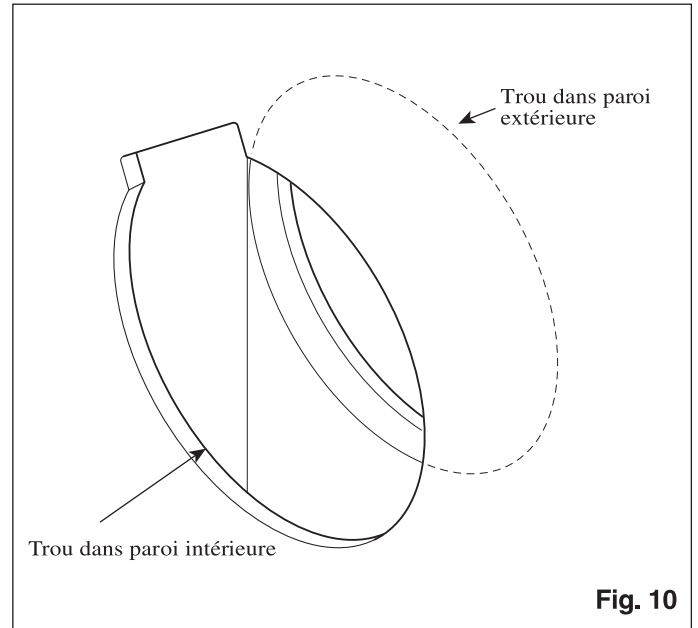
Quand l'épaisseur de la paroi est supérieure à 152,4 mm (6"), se reporter à la figure de montage pour référence à la page 2.

1. Réaliser des trous dans les parois intérieure et extérieure (voir Fig. 10).

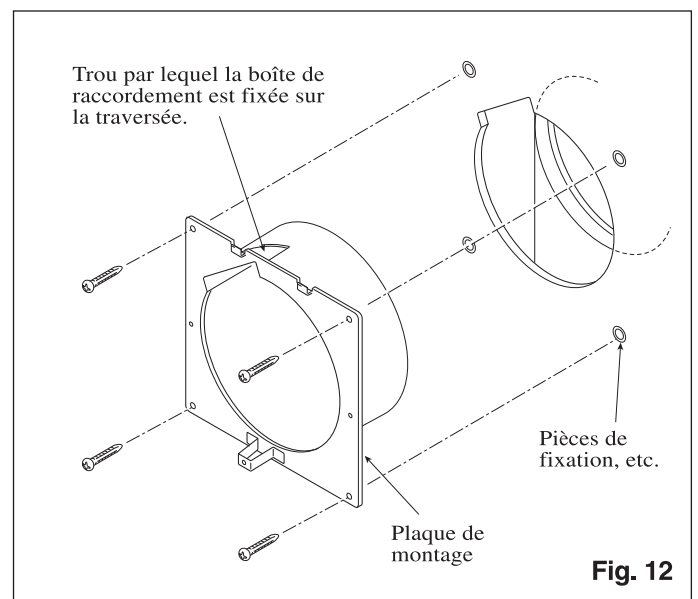
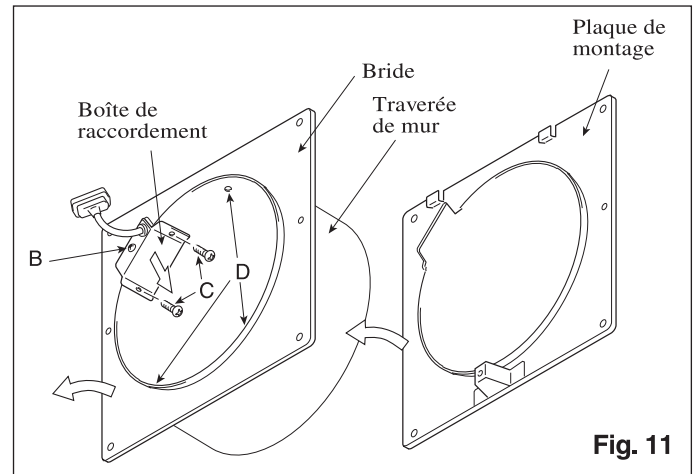
Utiliser le patron pour effectuer le trou dans la paroi intérieure. Le trou dans la paroi extérieure doit avoir un diamètre de 215 mm (8 1/2").

ATTENTION:

Le trou doit être réalisé dans un emplacement où ne se trouvent pas de canalisations, de fils électriques ni de fils téléphoniques et ne comportant pas de montants.



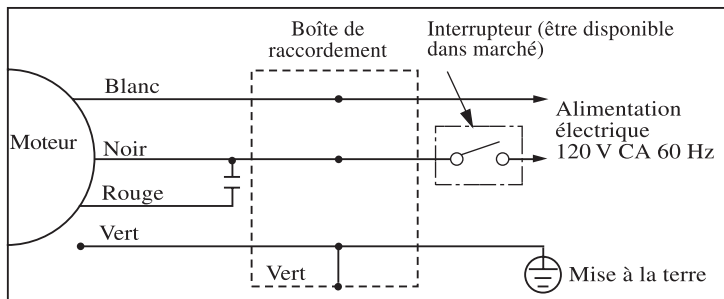
2. Mettre en place le câblage électrique intérieur logé dans une gaine le long de la cloison.
3. Déposer la boîte de raccordement de la traversée en enlevant ses deux vis (C) (voir Fig. 11)
4. Déposer le couvercle de la boîte de raccordement en enlevant la vis (B).
5. Enlever les vis (D) et remplacer la bride de traversée de mur par une bride de montage. (La face de la plaque de montage doit être alignée à l'extrémité de la traversée qui vient de l'intérieur.)
6. Fixer la traversée sur la cloison avec les vis fournies (Vis I) (voir Fig. 12).
Si la paroi intérieure est constituée d'une plaque de plâtre, utiliser des fixations adéquates (disponibles dans le commerce) pour monter la traversée.



Montage II (dans construction existante) - suite

7. Introduire de l'extérieur la housse fournie en accessoire pour recouvrir la traversée la fixer avec quatre vis ou clous. Recouvrir le joint entre la traversée de mur et la housse à l'aide d'un ruban d'aluminium et appliquer du mortier ou des matériaux de bourrage autour de la bride de housse afin d'éviter la pénétration de la pluie. (Fig. 13)
8. Tirer la gaine flexible pour la faire passer par le trou par lequel la boîte de raccordement est fixée sur la traversée (voir Fig. 14).
9. Enlever le couvercle de la boîte de raccordement et fixer l'une des extrémités de la gaine flexible sur la boîte de raccordement.

Schéma de branchement



10. Se reporter au schéma de branchement ci-dessus. Raccorder à l'aide de dominos les fils électriques du secteur à ceux de l'aérateur. (voir Fig. 4 en page 5): noir à noir, blanc à blanc et vert à vert.

11. Remettre en place la boîte de raccordement sur la traversée et reposer le couvercle (voir Fig. 15).

ATTENTION:

Reposer le couvercle de la boîte de raccordement avec précaution afin de ne pas la écraser les fils électriques.

12. Déposer la grille du ventilateur (voir Fig. 8 en page 6).
13. Relier les connecteurs entre eux, accrocher le ventilateur sur la plaque de montage et les fixer à l'aide de vis fournies en accessoire (vis III). (Fig. 16)
14. Remonter la grille sur le ventilateur.

ATTENTION:

Pousser la grille jusqu'à son encliquetage.

REMARQUE:

S'assurer d'appliquer de la peinture sur la housse. Pour cet effet, éliminer complètement l'huile de la surface au préalable. S'assurer également que la peinture n'entre pas dans la housse.

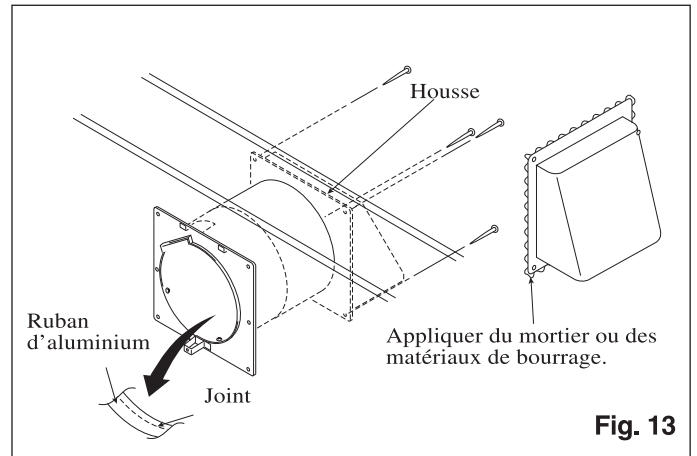


Fig. 13

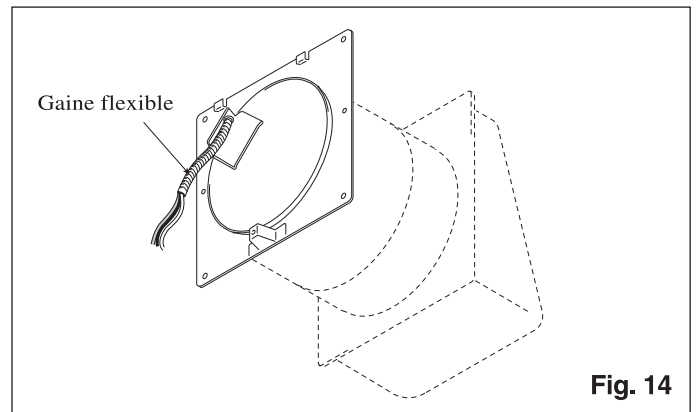


Fig. 14

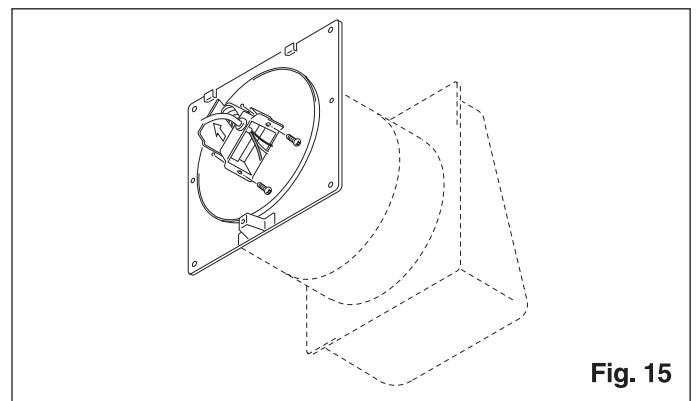


Fig. 15

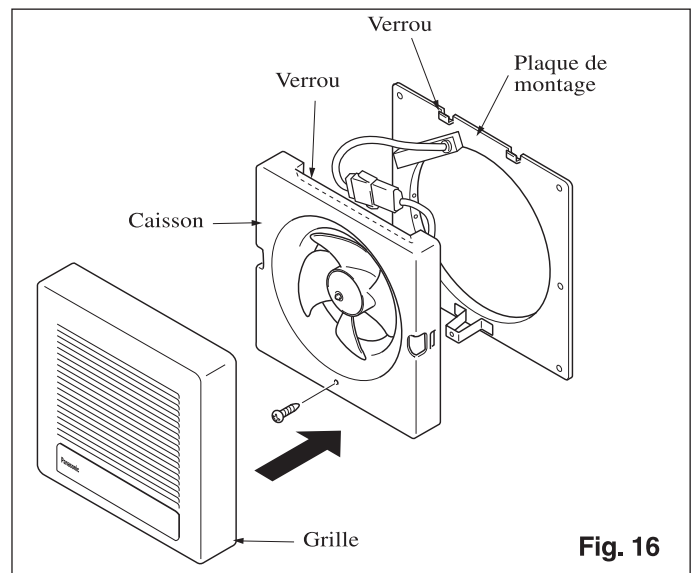


Fig. 16

Entretien

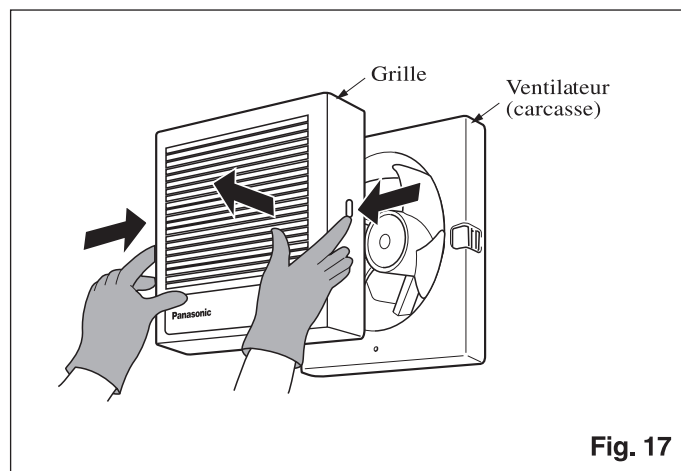
AVERTISSEMENT:

Mettre l'appareil hors circuit pour procéder à son entretien. Effectuer un entretien périodique à raison d'une fois par mois.

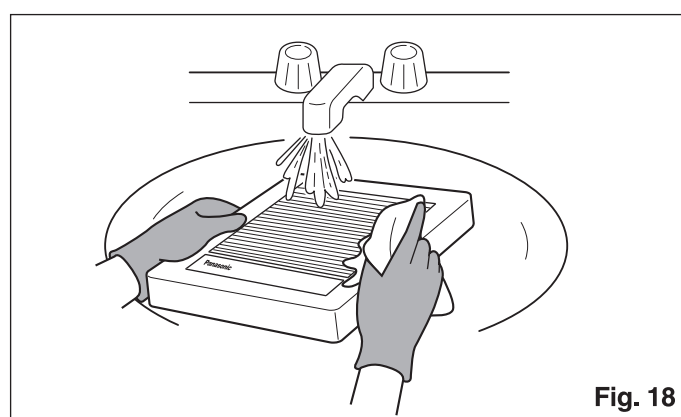
ATTENTION:

1. Ne jamais utiliser d'essence, de benzine, de diluant pour peintures ni d'autres produits chimiques similaires pour le nettoyage de l'aérateur.
2. Veiller à ce que de l'eau ne se trouve pas admise à l'intérieur du moteur et de son logement.
3. Ne pas exposer les pièces en plastique à une température dépassant 60 °C (140 °F).

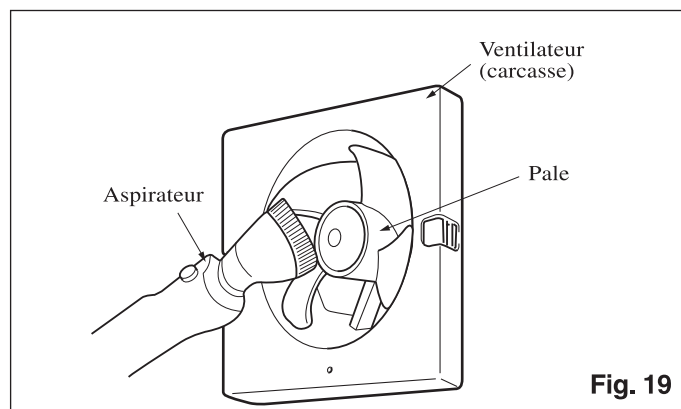
1. Enlever la grille (tenir la grille et appuyer en même temps sur les verrous de chaque côté. Dégager la grille de la cloison en tirant droit sur elle.) (voir Fig. 17).



2. Nettoyer la grille (utiliser un détergent ménager non abrasif). Essuyer ensuite avec un chiffon propre (voir Fig. 18).



3. Dépoussiérer et dégraisser les pales du ventilateur et la carcasse avec un nettoyeur à vapeur (voir Fig. 19).

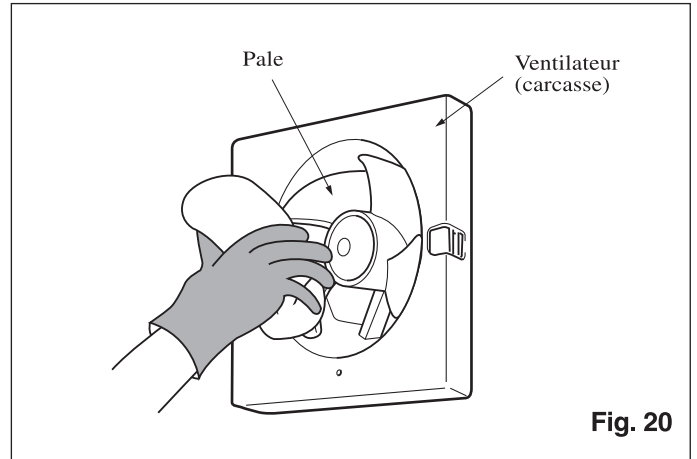


Entretien - suite

4. A l'aide d'un chiffon imbibé de détergent ménager non abrasif, nettoyer les pales du ventilateur et la carcasse. Essuyer ensuite avec un chiffon propre (voir Fig. 20).
5. Remonter la grille.

ATTENTION:

Pousser la grille jusqu'à son encliquetage.



Service après-vente

Avertissement à propos de l'enlèvement des plaques.

Confiez toute réparation à un technicien qualifié. Aucune information relative aux réparations n'est fournie à l'utilisateur. L'appareil a été conçu et fabriqué pour ne nécessiter qu'un minimum de maintenance. Toutefois, dans le cas où une révision deviendrait nécessaire, un réseau national de centres de service est en place pour offrir le service en vertu de la garantie.

Panasonic Canada Inc.

5770 Ambler Drive Mississauga, Ontario, L4W 2T3