



# M&M Manufacturing Company

[www.mmmfg.com](http://www.mmmfg.com)

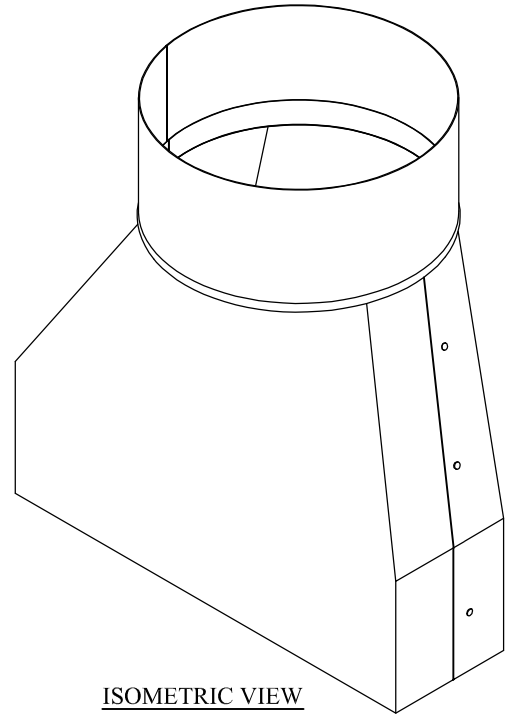
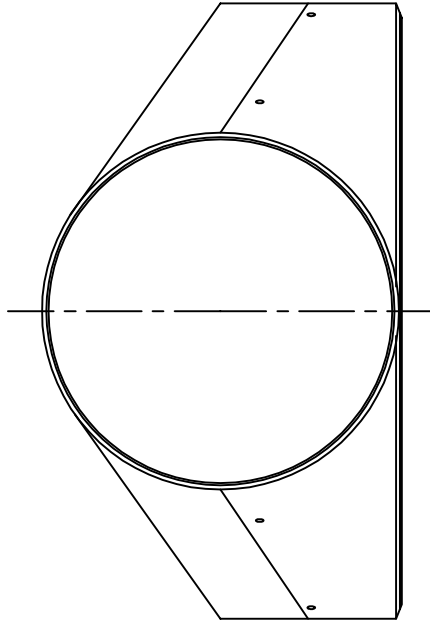
FORT WORTH  
(Mark IV Pkwy)  
(817)-336-2311

FORT WORTH  
(Adolph)  
(817)-334-0034

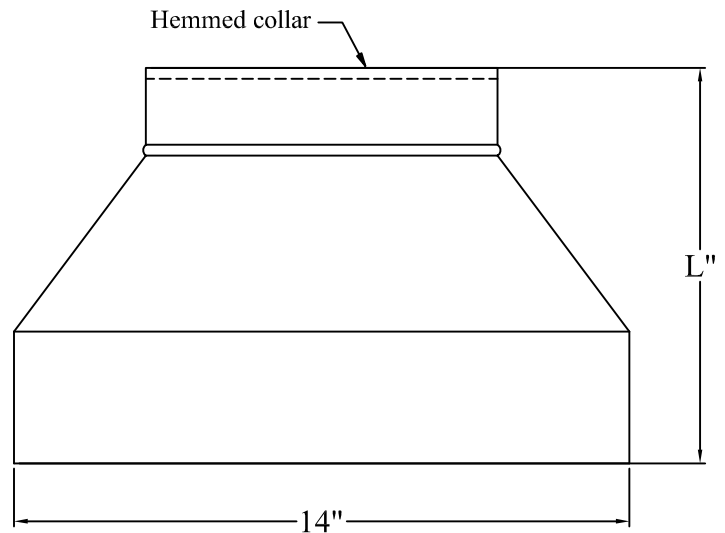
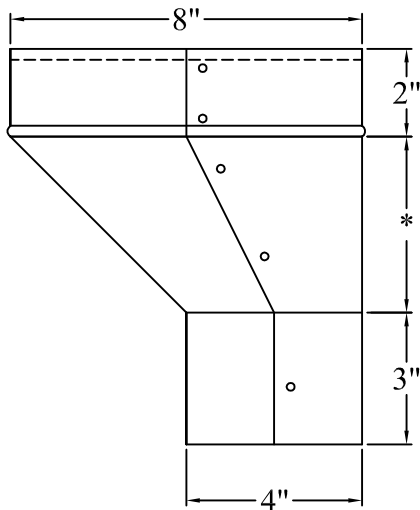
DALLAS  
(972)-485-1504

HOUSTON  
(713)-690-0585

LITTLE ROCK  
(501)-888-3042



ISOMETRIC VIEW



Note: (L) transition length varies with size

**PART #:** 201R(Size) **DESCRIPTION:** Wall stack boot

**NOTES:** Material: 30 ga. ASTM-A653 CS B galvanized steel

Popular sizes available. See catalog, web site or contact us for details

Order as Pt# 201R(Rectangular dimension in inches)(Diameter in inches)