

SUBMITTAL DATA: MXZ-3B24NA-1

MULTI-INDOOR INVERTER HEAT-PUMP SYSTEM

| | | |
|---------------------|--|-------|
| Job Name: | Location: | Date: |
| Purchaser: | Engineer: | |
| Submitted to: | For <input type="checkbox"/> Reference <input type="checkbox"/> Approval <input type="checkbox"/> Construction | |
| System Designation: | Schedule No.: | |

GENERAL FEATURES

- Compact side discharge outdoor unit
- Wireless or wired remote controller, indoor unit dependent
- Quiet operation
- Automatic fan speed control
- Auto restart following power outage
- Self-check function—integrated diagnostics
- Advanced microprocessor control
- Limited warranty: five years parts and seven years compressors

ACCESSORIES

- Air Outlet Guide (MAC-856SG)
- 3/8" x 1/2" Port Adapter (MAC-A454JP-E)
- 1/2" x 3/8" Port Adapter (MAC-A455JP-E)
- 1/2" x 5/8" Port Adapter (MAC-A456JP-E)





Outdoor Unit: MXZ-3B24NA-1

| Specifications | | | Model Name |
|--|--------------------------------------|--------------------------|--|
| Unit Type | | | MXZ-3B24NA-1 |
| Cooling* (Non-ducted / Ducted) | Rated Capacity | Btu/h | 22,000 / 23,600 |
| | Maximum Capacity | Btu/h | 22,000 / 25,500 |
| | Total Input | W | 1,760 / 2,460 |
| Heating at 47°F* (Non-ducted / Ducted) | Rated Capacity | Btu/h | 25,000 / 24,600 |
| | Maximum Capacity | Btu/h | 30,200 / 29,400 |
| | Total Input | W | 1,750 / 1,900 |
| Heating at 17°F* (Non-ducted/Ducted) | Rated Capacity | Btu/h | 14,000 / 14,000 |
| | Total Input | W | 1,380 / 1,570 |
| Electrical Requirements | Power Supply | Voltage, Phase, Hertz | 208 / 230V, 1-Phase, 60 Hz |
| | Recommended Fuse/Breaker Size | A | 20 |
| | MCA | A | 18 |
| Voltage | Indoor - Outdoor S1-S2 | V | AC 208 / 230 |
| | Indoor - Outdoor S2-S3 | V | DC ±24 |
| Compressor | | | DC Inverter-driven Twin Rotary |
| Fan Motor (ECM) | | F.L.A. | 0.93 |
| Sound Pressure Level (Non-ducted/Ducted) | Cooling | dB(A) | 54 |
| | Heating | dB(A) | 49 |
| External Dimensions (H x W x D) | | In. / mm | 35-7/16 x 35-7/16 x 12-5/8 / 900 x 900 x 321 |
| Net Weight | | Lbs. / kg | 150 (68) |
| External Finish | | | Munsell No. 3Y 7.8 / 1.1 |
| Refrigerant Pipe Size O.D. — Four Ports | Liquid (High Pressure) | (In. / mm) | 1/4 / 6.35 |
| | Gas (Low Pressure) | | A: 1/2 / 12.7; B,C: 3/8 / 9.52 |
| Max. Refrigerant Line Length | | Ft. | 230 |
| Max. Piping Length for Each Indoor Unit | | Ft. | 82 |
| Max. Refrigerant Pipe Height Difference | If Indoor Unit is Above Outdoor Unit | Ft. | 49 |
| | If Indoor Unit is Below Outdoor Unit | | 33 |
| Connection Method | | | Flared |
| Refrigerant | | | R410A |

(For data on specific indoor units, see the MXZ-B Technical and Service Manual.)

*** Rating Conditions per AHRI Standard:**

 Cooling | Indoor: 80° F (27° C) DB / 67° F (19° C) WB
 Cooling | Outdoor: 95° F (35° C) DB / 75° F (24° C) WB

 Heating at 47° F | Indoor: 70° F (21° C) DB / 60° F (16° C) WB
 Heating at 47° F | Outdoor: 47° F (8° C) DB / 43° F (6° C) WB

 Heating at 17° F | Indoor: 70° F (21° C) DB / 60° F (16° C) WB
 Heating at 17° F | Outdoor: 17° F (-8° C) DB / 15° F (-9° C) WB

SPECIFICATIONS: MXZ-3B24NA-1

Operating Range:

| | | Indoor Intake Air Temp. | Outdoor Intake Air Temp. |
|---------|---------|--------------------------------------|--------------------------------------|
| Cooling | Maximum | 95° F (35° C) DB 71° F (22° C) WB | 115° F (46° C) DB |
| | Minimum | 67° F (19° C) DB 57° F (14° C) WB | 14° F (-10° C) DB |
| Heating | Maximum | 80° F (27° C) DB 67° F (19° C) WB | 75° F (24° C) DB 65° F (18° C) WB |
| | Minimum | 70° F (21° C) DB 60° F (16° C) WB | 6° F (-14° C) DB 5° F (-15° C) WB |

Energy Efficiencies:

| Indoor Unit Type | SEER | EER | HSPF | COP @ 47°F | COP @ 17°F |
|----------------------------------|-------|-------|------|------------|------------|
| Non-ducted (06 + 06 + 09) | 17.5 | 12.5 | 9.3 | 4.2 | 2.97 |
| Ducted and Non-ducted | 16.25 | 11.05 | 8.9 | 4.0 | 2.79 |
| Ducted (09 + 09 + 09) | 15.0 | 9.6 | 8.5 | 3.8 | 2.61 |

Multi-zone Indoor/Outdoor Combination Table

| | MSZ-FE* | MSZ-GE* | MFZ* | SEZ* | SLZ* | PCA (A24)* | PLA (A12/18/24)* | PEAD (A24)* |
|---------------------|---------|----------------------------|------|------|------|------------|--------------------|-------------|
| MXZ-3B24NA-1 | OK | 06/09/12/15/18 OK 24 NO | OK | OK | OK | NO | 18 OK 12, 24 NO | NO |

* Refer to indoor unit submittal.

Notes:

- Minimum of two Indoor Units must be connected to the MXZ-3B24NA-1.
- Minimum installed capacity cannot be less than 12,000 Btu/h.
- There are NO indoor units larger than 24,000 Btu/h that can be connected to MXZ Systems.
- PLA-A12BA can NOT be connected with MXZ-2B20NA-1/MXZ-3B24NA-1/MXZ-3B30NA-1/MXZ-4B36NA-1.
- System can operate with only one Indoor Unit turned on. (see Operation Performance Table next page for single Indoor Unit performance).
- May connect to any style indoor unit or combination.
- Information provided at 208/230V. Refer to the MXZ Outdoor Unit Service Manual for detailed specifications and additional information per Indoor Unit Combination.

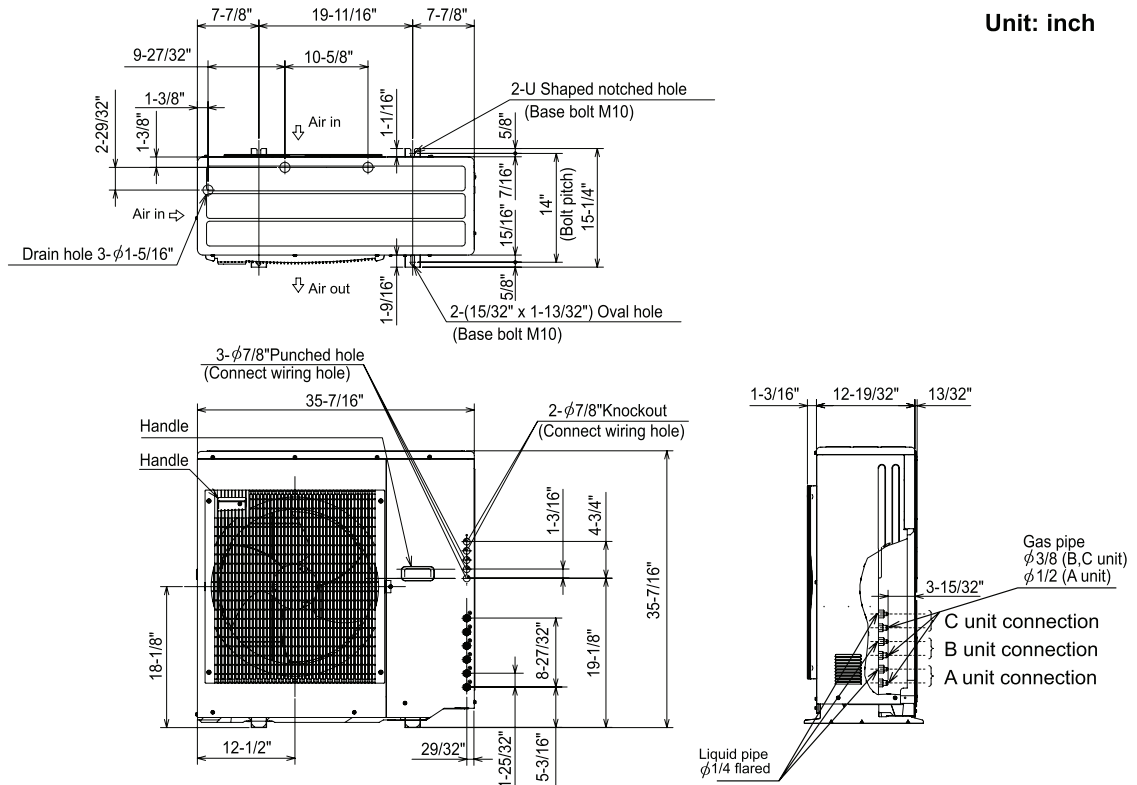
Notes:

MXZ-3B24NA-1 OPERATION PERFORMANCE

| Operation Performance for Indoor Unit Combinations (Unit A + Unit B + Unit C) | Cooling Capacity Range (Btu/h) | | | | Power Usage Range (W) |
|--|--------------------------------|-----------------|-----------------|-----------------|-----------------------|
| | Heating Capacity Range (Btu/h) | | | | |
| | Unit A | Unit B | Unit C | Total Range | |
| 6 | 6,500 | - | - | 5,200 - 6,500 | 460 - 580 |
| | 7,800 | - | - | 6,800 - 14,400 | 540 - 1,460 |
| 9 | 9,000 | - | - | 7,200 - 9,000 | 580 - 820 |
| | 10,900 | - | - | 8,600 - 15,400 | 780 - 1,520 |
| 12 | 12,000 | - | - | 7,200 - 12,000 | 580 - 1,020 |
| | 13,600 - 14,400 | - | - | 8,600 - 16,400 | 780 - 1,600 |
| 15 | 14,000 - 15,000 | - | - | 7,200 - 15,000 | 580 - 1,340 |
| | 18,000 | - | - | 8,600 - 21,100 | 780 - 2,280 |
| 18 | 17,200 | - | - | 7,200 - 17,200 | 600 - 1,590 |
| | 21,600 | - | - | 8,600 - 24,900 | 780 - 2,770 |
| 6 + 6 | 6,500 | 6,500 | - | 12,000 - 13,000 | 920 - 960 |
| | 7,800 | 7,800 | - | 11,000 - 25,800 | 740 - 2,240 |
| 6 + 9 | 6,500 | 9,000 | - | 12,000 - 15,500 | 940 - 1,260 |
| | 7,800 | 10,900 | - | 11,000 - 25,800 | 740 - 2,240 |
| 6 + 12 | 6,500 | 12,000 | - | 12,000 - 18,500 | 920 - 1,600 |
| | 7,800 | 13,600 - 14,400 | - | 11,000 - 27,400 | 740 - 2,520 |
| 6 + 15 | 6,100 - 6,400 | 13,600 - 13,900 | - | 12,000 - 20,500 | 920 - 1,840 |
| | 7,200 | 16,400 | - | 11,000 - 27,400 | 740 - 2,620 |
| 6 + 18 | 5,500 | 14,500 | - | 12,000 - 23,700 | 920 - 2,460 |
| | 6,300 | 17,300 | - | 11,000 - 29,000 | 740 - 2,840 |
| 9 + 9 | 9,000 | 9,000 | - | 12,000 - 18,000 | 920 - 1,840 |
| | 10,900 | 10,900 | - | 11,000 - 27,400 | 740 - 2,560 |
| 9 + 12 | 8,600 | 11,400 | - | 12,000 - 21,000 | 920 - 2,040 |
| | 10,000 - 10,200 | 13,200 - 13,400 | - | 11,000 - 27,400 | 740 - 2,800 |
| 9 + 15 | 7,500 | 12,500 | - | 12,000 - 24,000 | 920 - 2,540 |
| | 9,000 | 14,600 | - | 11,000 - 29,000 | 740 - 2,920 |
| 9 + 18 | 6,800 | 13,200 | - | 12,000 - 26,000 | 920 - 2,840 |
| | 8,000 | 15,600 | - | 11,000 - 29,000 | 740 - 2,920 |
| 12 + 12 | 10,000 | 10,000 | - | 12,000 - 24,000 | 920 - 2,540 |
| | 11,800 - 12,200 | 11,400 - 11,800 | - | 11,000 - 29,000 | 740 - 2,920 |
| 12 + 15 | 8,900 - 9,300 | 10,700 - 11,100 | - | 12,000 - 26,000 | 920 - 2,840 |
| | 10,200 - 10,500 | 13,100 - 13,400 | - | 11,000 - 29,000 | 740 - 2,860 |
| 6 + 6 + 6 | 6,500 | 6,500 | 6,500 | 12,600 - 19,500 | 1,000 - 1,600 |
| | 7,800 | 7,800 | 7,800 | 11,400 - 30,600 | 740 - 2,420 |
| 6 + 6 + 9 | 6,500 | 6,500 | 9,000 | 12,600 - 22,000 | 1,000 - 1,940 |
| | 7,400 | 7,400 | 9,600 - 10,200 | 11,400 - 30,600 | 740 - 2,480 |
| 6 + 6 + 12 | 5,800 | 5,800 | 10,400 - 10,600 | 12,600 - 25,000 | 1,000 - 2,330 |
| | 6,500 | 6,500 | 11,600 - 12,000 | 11,400 - 30,600 | 740 - 2,500 |
| 6 + 6 + 15 | 5,300 | 5,300 | 11,400 - 11,900 | 12,600 - 27,000 | 1,000 - 2,580 |
| | 5,900 | 5,900 | 13,000 - 13,200 | 11,400 - 30,600 | 740 - 2,520 |
| 6 + 9 + 9 | 6,000 | 8,000 - 8,200 | 8,000 - 8,200 | 12,600 - 24,500 | 1,000 - 2,290 |
| | 6,600 | 8,900 - 9,200 | 8,900 - 9,200 | 11,400 - 30,600 | 740 - 2,540 |
| 6 + 9 + 12 | 5,200 | 7,200 - 7,700 | 9,600 - 10,100 | 12,600 - 27,000 | 1,000 - 2,690 |
| | 5,900 | 8,200 - 8,300 | 10,600 - 10,800 | 11,400 - 30,600 | 740 - 2,560 |
| 9 + 9 + 9 | 7,300 - 7,866 | 7,300 - 7,900 | 7,333 - 7,900 | 12,600 - 27,000 | 1,000 - 2,950 |
| | 8,200 - 8,333 | 8,200 - 8,333 | 8,200 - 8,333 | 11,400 - 30,600 | 740 - 2,600 |

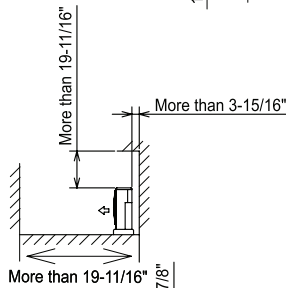
DIMENSIONS: MXZ-3B24NA-1

Unit: inch

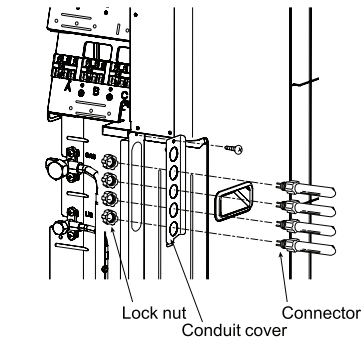
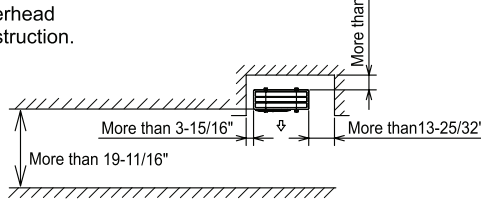


1. Installation space

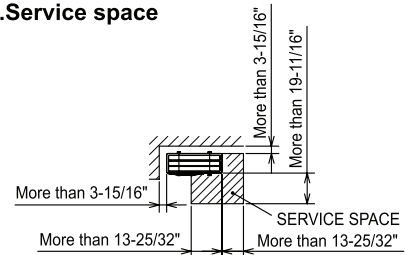
Note : Leave both sides free of obstruction.



Note : Leave overhead free of obstruction.



2. Service space



Intertek



1340 Satellite Boulevard
 Suwanee, GA 30024
 Tele: 678-376-2900 • Fax: 800-889-9904
 Toll Free: 800-433-4822
 www.mehvac.com