

December 19, 2013

Miami Tech, Inc. | 3611 NW 74th Street | Miami, FL 33147

Certification valid for
one (1) project site
only.

Regarding: Support Angle Alternate Mounting Method
Drawing #12-MTI-01, Sealed 8/21/2012, Aluminum A/C Stand

Attention: Building Department Official

This office has prepared engineering drawing #12-MTI-01 for the construction and installation of aluminum air conditioning stands as manufactured by Miami Tech Inc of Miami, Florida and has provided a design assessment therein for direct attachment to an existing structure (integrity by others). The drawing referenced herein has been designed for varying wind pressures which shall be calculated and verified by others in accordance with the governing code for use with the project site under consideration. Upon our review of the above-mentioned product documentation, it is permissible to construct the stand with the following evaluation addendum without adversely affecting the previously submitted engineering design.

1. Drawing #12-MTI-01, sheet 10, detail 1/10, support angle attachment substitution:

In lieu of the support angle being installed with its toe-edge facing upwards, it is permissible to install the support angle as detailed below and allow the toe edge of the angle to face downward to allow a flat surface for unit attachment purposes. The support angle (identified as member (5)) shall receive a 1"x2" notch at the lowest corner and shall have a 2"x1"x1/8" 6061-T6 angle 2" long with 1/8" fillet weld to its face. Thereafter (2) #14 SAW grade 5 sheet metal screws shall be driven through the i-beam web into the clip, and (2) additional screws through the i-beam flange into the support angle as detailed below. Provide (5) pinches min. past thread plane for each screw.

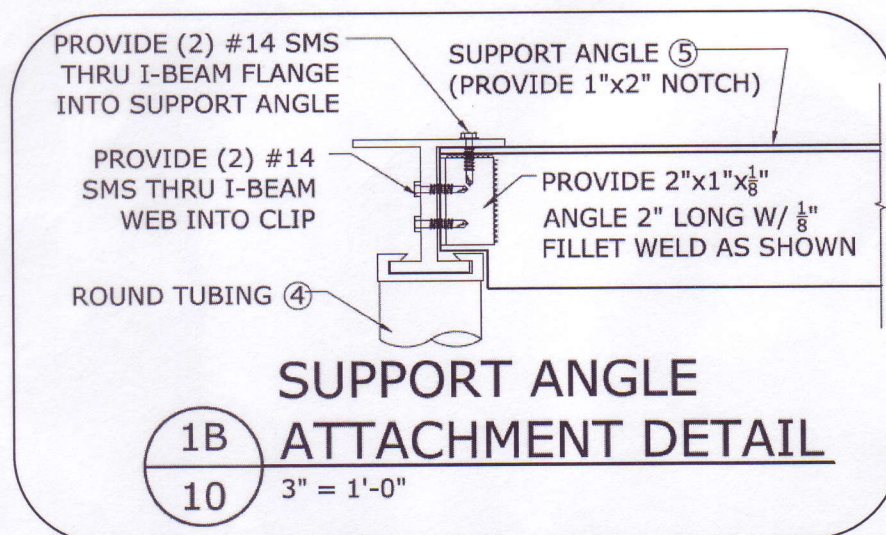


Figure 1: Support Angle Detail

Miami Tech Inc – Alternate Angle Mounting Method

This certification is limited to the angle attachment addendum as specified herein only. Verification of the integrity of existing host to carry the imposing loads of this product shall be by others or by separate engineering certification. All other installation criteria shall follow the drawing noted herein, as well as the minimum requirements of the 2010 Florida Building Code. Except as expressly provided herein, no additional affirmations or certifications are intended. Thank you for your attention to this matter.

Respectfully,



Letter to be read with original signature and raised seal by this engineer.