



**STANDARD CONSTRUCTION**

**MATERIAL:**  
.020 (26 GAUGE) 3003 H14 ALUMINUM

**FINISH:**  
MILL FINISH

**STANDARD SIZES:**

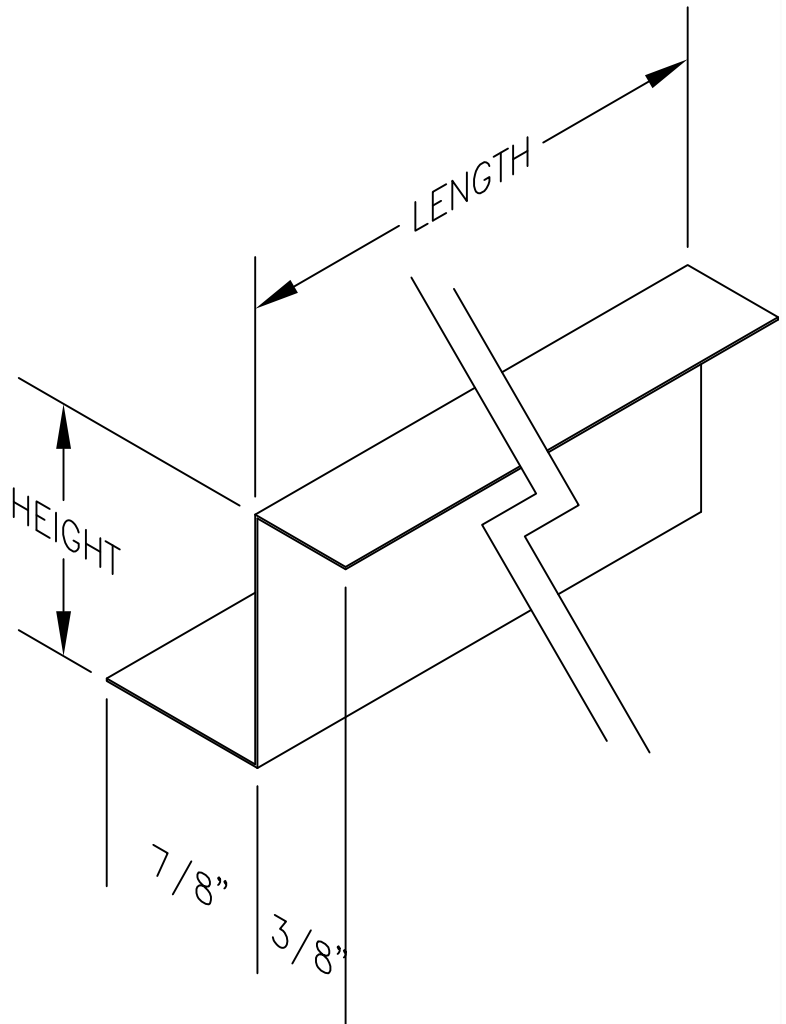
PART NO	HEIGHT	LENGTH	BOX QTY
ZB-2	1"	10'	100'
ZBR-2	1.5"	10'	100'
ZB-R8	2"	8'	80'

**FEATURES**

**CONSTRUCTED OF CORROSION RESISTANT ALUMINUM.**

**AVAILABLE AS 1" (ZB-2), 1 1/2" (ZBR-2), OR 2" (ZB-R8) HEIGHTS.**

**BOX QUANTITY 100'.**



JOB NAME:
LOCATION:
ARCHITECT:
ENGINEER:
CONTRACTOR:
CONTACT MIAMI TECH INC. FOR ADDITIONAL INFORMATION OR WITH SPECIAL REQUIREMENTS.
3611 NW 74TH ST MIAMI, FL 33147 PHONE: 305-693-7054 FAX: 305-693-6152
WEB: WWW.MIAMITECH.COM EMAIL: SALES@MIAMITECH.COM

**ZB-2 / ZBR-2 / ZB-R8**

**ALUMINUM Z BAR  
PRODUCT SPECIFICATIONS**

NOTE: ALL DRAWINGS SUBJECT TO CHANGE WITHOUT PRIOR NOTICE.



DRAWN BY: AF	DATE: 09/25/07	SCALE: NOT TO SCALE	DRAWING NO.
CHECKED BY: IG	DATE: 10/15/12	REVISION: 2	ZB