



**STANDARD CONSTRUCTION**

BODY:  
18 GAUGE ASTM A-653 HOT-DIPPED  
GALVANIZED STEEL SHEET

**STANDARD SIZES:**

| MODEL          | WIDTH (W) | DEPTH (D) | FILTER SPACE | STANDARD FILTER SIZE (WxDxH) |
|----------------|-----------|-----------|--------------|------------------------------|
| FFRD18.5TEM4/6 | 19"       | 21 1/4"   | 18"          | 18"X20"X1"                   |
| FFRD23.5TEM4/6 | 24"       | 21 1/4"   | 20"          | 22"X20"X1"                   |
| FFRD26.5TEM6   | 27"       | 21 1/4"   | 24"          | 24"X20"X1"                   |

**FEATURES**

18 GAUGE GALVANIZED STEEL PROVIDES EXCELLENT CORROSION RESISTANCE AND LONGEVITY.

WELDED CONSTRUCTION FOR ADDED STRENGTH.

PRE-PUNCHED HOLES FOR EASY FASTENING TO AIR HANDLER OR BASE.

RUBBER STRIPS INCLUDED TO MINIMIZE VIBRATION.

1" STANDARD SIZE DISPOSABLE FILTER INCLUDED.

MODEL FFRD-TEM4/6: FILTER RACK WITH SPRING HINGED FRONT DOOR.

MODEL FFR-TEM4/6: FILTER RACK WITHOUT SPRING HINGED FRONT DOOR.

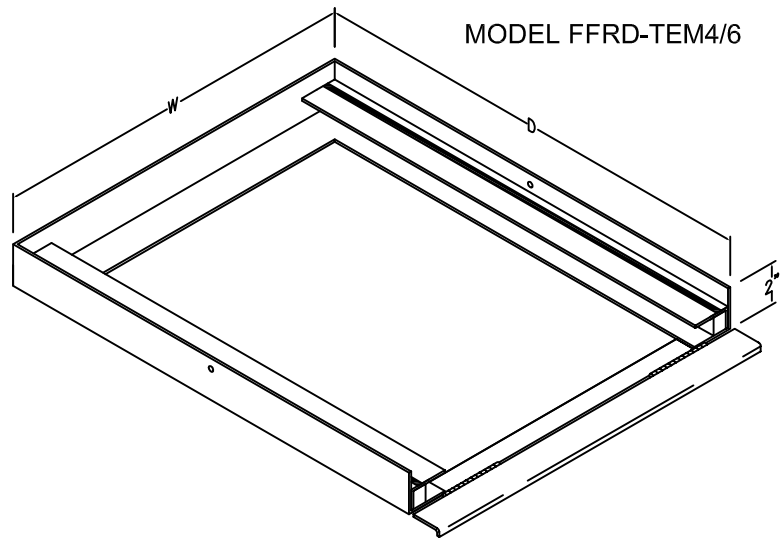
THE FFR-TEM4/6 FAMILY HAS BEEN DESIGNED FOR TRANE AND AMERICAN STANDARD AIR HANDLER UNITS. OTHER CUSTOM SIZES ARE AVAILABLE UPON REQUEST.

**SPECIAL NOTE**

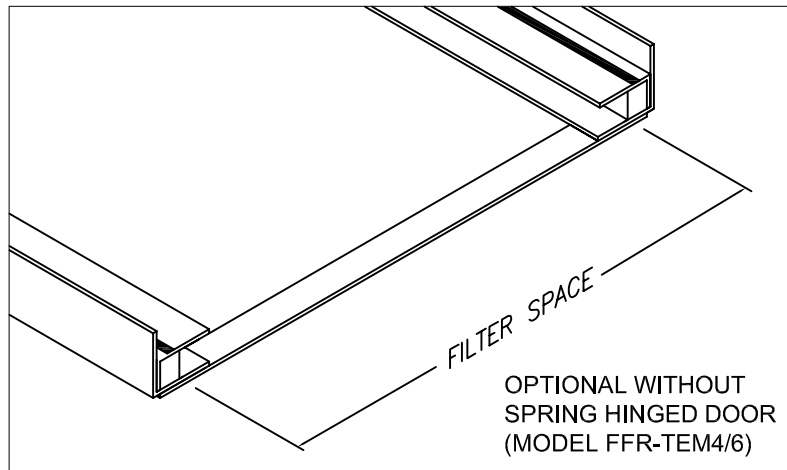
FFR/FFRD18.5TEM4 FITS TEM4A0B18-30 AND TEM6A0B24-30.

FFR/FFRD23.5TEM4 FITS TEM4A0B36-60 AND TEM6A0B36-42.

FFR/FFRD26.5TEM6 FITS TEM6A0B48-60.



MODEL FFRD-TEM4/6



FILTER SPACE

OPTIONAL WITHOUT SPRING HINGED DOOR (MODEL FFR-TEM4/6)

|  |
|--|
| JOB NAME:  |
| LOCATION:  |
| ARCHITECT:   |
| ENGINEER:  |
| CONTRACTOR:  |
| CONTACT MIAMI TECH INC. FOR ADDITIONAL INFORMATION OR WITH SPECIAL REQUIREMENTS. |
| 3611 NW 74TH ST<br>MIAMI, FL 33147   |
| PHONE: 305-693-7054 FAX: 305-693-6152  |
| WEB: WWW.MIAMITECH.COM<br>EMAIL: SALES@MIAMITECH.COM                             |

**FFRD-XXXTEM4/6**

**FIXED FILTER RACK FOR TRANE/AMERICAN STANDARD  
PRODUCT SPECIFICATIONS**

NOTE: ALL DRAWINGS SUBJECT TO CHANGE WITHOUT PRIOR NOTICE.



|                |                 |                     |                         |
|----------------|-----------------|---------------------|-------------------------|
| DRAWN BY: CG   | DATE: 1/19/2015 | SCALE: NOT TO SCALE | DRAWING NO. FFRD-TEM4/6 |
| CHECKED BY: IV | DATE: 1/19/2015 | REVISION:           |                         |