



STANDARD CONSTRUCTION

MATERIAL:
26 GAUGE ASTM A-653 HOT-DIPPED GALVANIZED
STEEL SHEET

STANDARD SIZES:

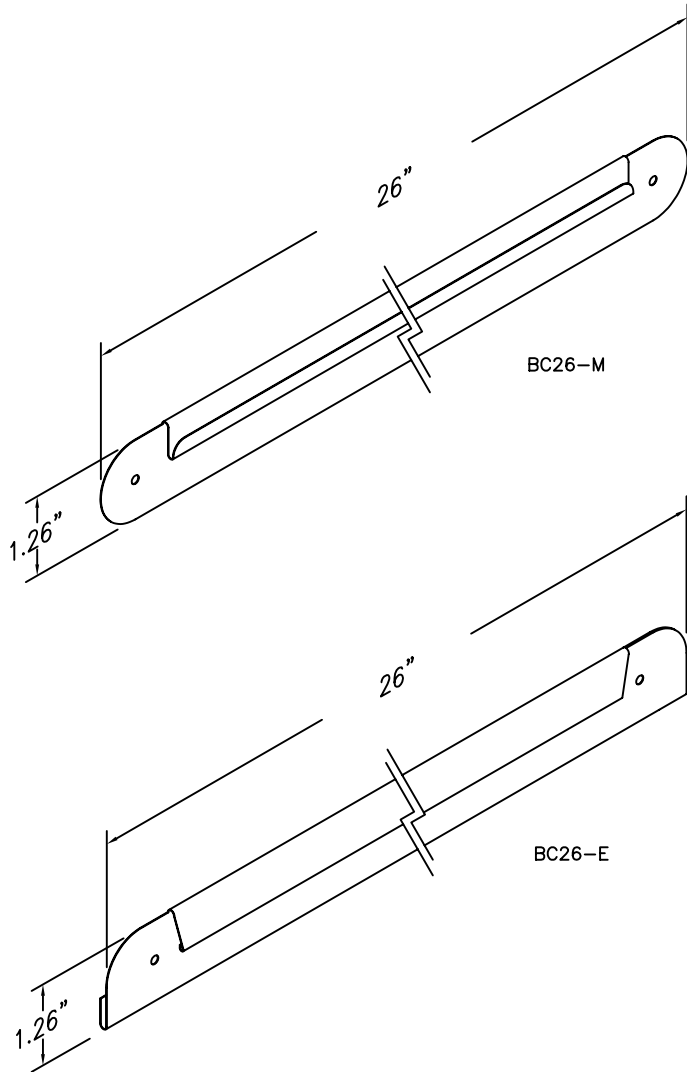
MODEL	WIDTH	LENGTH	BOX QTY.
BC-26M	1.26"	26"	100
BC-26E	1.26"	26"	100

FEATURES

26 GAUGE GALVANIZED STEEL PROVIDES EXCELLENT
CORROSION RESISTANCE AND LONGEVITY.

SOLD IN BOX QUANTITIES OF 100 PIECES.

OPTION: CUSTOM SIZES AVAILABLE.



JOB NAME:
LOCATION:
ARCHITECT:
ENGINEER:
CONTRACTOR:
CONTACT MIAMI TECH INC. FOR ADDITIONAL INFORMATION OR WITH SPECIAL REQUIREMENTS. 3611 NW 74TH ST MIAMI, FL 33147 PHONE: 305-693-7054 FAX: 305-693-6152 WEB: WWW.MIAMITECH.COM EMAIL: SALES@MIAMITECH.COM

BC

BOOT CLIP
PRODUCT SPECIFICATIONS



miami tech inc.

DRAWN BY: AF

DATE: 09/25/07

SCALE: NOT TO SCALE

DRAWING NO.

CHECKED BY: IG

DATE: 09/25/07

REVISION: 1

BC