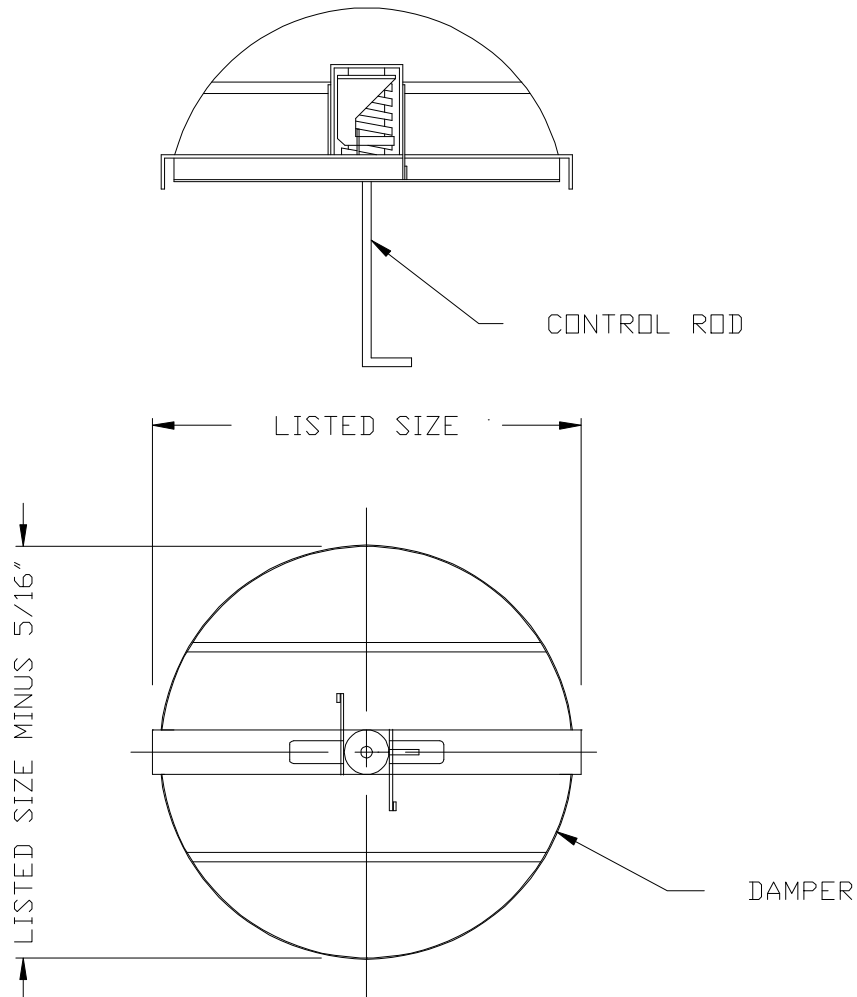


MODEL BDS – ROUND BUTTERFLY DAMPER

1. STEEL CONSTRUCTION
2. BUTTERFLY STYLE DAMPER
3. BLADES ARE ADJUSTABLE THROUGH DIFFUSER FACE
4. INCLUDES DAMPER OPERATOR
5. CLIPS TO TOP OF COLLARS
6. MILL (01) FINISH



BDS				
Dia				
6"	8"	10"	12"	14"
X	X	X	X	X

Submittal No. BDS

Revision:

Date: 08/01/2017

Submitted by:

Date submitted: