

UFF-0200 Flake Ice Machines

Model

 UFF-0200A


Model UFF-0200A
Flake Ice Machine

Standard Features

- Up to 191 lbs. (87 kgs) daily flake ice production.
- Up to 400 lbs. (18 kgs) ice storage capacity.
- Flake ice is perfect for food display, salad bars, and cold therapy/healthcare.
- High load maintenance free bearings for enhanced reliability.
- Heavy duty stainless steel cabinet resists corrosion.
- Easy access door, slides up & out of the way.



Standard Equipment

UFF-0200A

Ice Scoop, 6" Bin Legs, Alternate Low Profile Legs Standard Legs Adjustable from 4-1/2" to 6" Low Profile Non-Adjustable 1/4"

Ice Machine Electric

*115/60/1. (230/50/1 also available.)
115/60/1 ice machines are factory pre-wired with a 6' (180 cm) power cord and NEMA 5-15P plug configuration.

*230/50/1 ice machines are factory pre-wired with a 6' (180 cm) power cord with no plug.

Total ampacity:

Air-cooled: 7.5 amps.

Maximum fuse size:

Air-cooled: 15 amps.

HACR-type circuit breakers can be used in place of fuses

Specifications

Condenser Heat of Rejection (BTU per hour):
2,400 (average)

Compressor:
Nominal rating: 1/4 HP

Refrigerant:
R-404A

Operating Limits:

- Ambient Temperature Range:
50°-110°F (10°-43°C)
- Water Temperature Range:
37°-90°F (3°-32°C)
- Water Pressure Ice Maker Water In:
Min. 14 psi (96.5 kPa)
Max. 80 psi (551.6 kPa)

Ice Shape

Flake ice is small hard bits of ice ideally suited for presentation applications.



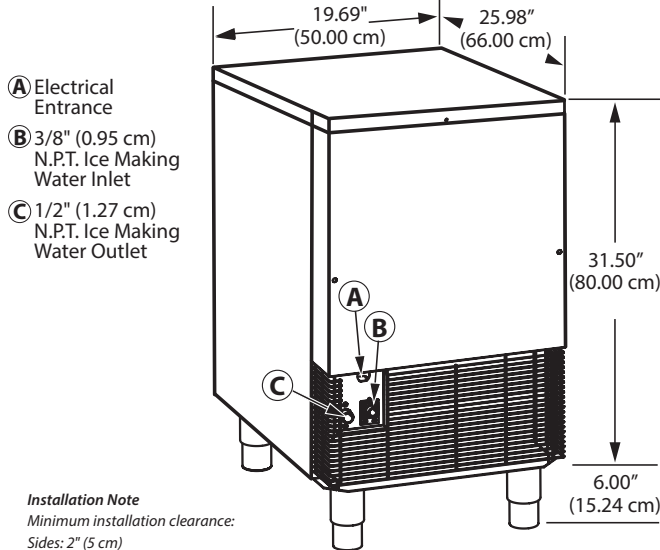
Ice shown actual size



COMPANY WITH
QUALITY SYSTEM



UFF-0200



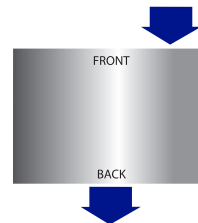
Space-Saving Designs



	UFF-0200A
Height	37.50" 95.24 cm
Width	19.69" 50.00 cm
Depth	25.98" 66.00 cm
Bin Storage	40 lbs. 18 kgs

Height includes adjustable bin legs 4.50" to 6.00" (11.43 cm to 15.24 cm) set at 6.00" (15.24 cm).

Air Flow Overhead View



Air-cooled Ice Machine	Model	Ice Shape	Ice Production 24 Hours		Power kWh/100 lbs @ 90° Air/70°F 32° Air/21°C	Potable Water Usage (100 lbs./ 45.4 kgs of Ice)	Application Capacity*	2017 AHRI Capacity**	2018 AHRI Capacity**
			70° Air/50°F Water 21° Air/10°C Water	90° Air/70°F Water 32° Air/21°C Water					
UFF-0200A	Flake		191 lbs.	151 lbs.	7.37	12 gal.	50 lbs.	40 lbs	1.70 Cu ft
			87 kgs	68 kgs		45.4 L	23 kgs	18 kg	0.05

"A" following model number indicates "Air" condensing unit.
 * Application capacity is based on 90% of the volume x 33 lbs/ft³ average density of ice must be managed
 **2017 Approved AHRI capacity is based on 80% of the total volume x 30 lbs/ft³ average density of ice
 ***2018 AHRI certified measurement for bin capacity