

QPA-310 Ice Dispenser



Q-Model Series 450 Ice Cube Machine
QPA-310 "Push for Ice" Ice Dispenser

- Designed for ice bucket filling in hotels, motels, and resorts
- 180 lbs. (82 kgs.) ice storage capacity. Accepts 22" (55.88 cm) or 30" (76.20 cm) wide Manitowoc ice machine
- Only 30" (76.20 cm) wide, 32" (81.28 cm) deep, and 82" high (208.28 cm)
- Stainless steel exterior with gray accents and rounded front blends with any decor
- Patented "Push For Ice" rocking chute dispense mechanism reduces in-flight ice and ice spillage with quick on/off activation
- Efficient built-in agitator assures 100% dispensing. Polyethylene bin liner and polyurethane insulation keep ice longer
- Push for ice, coin-op and room card dispensing control models
- Warranty
 - 5-year parts and 5-year labor coverage on ice machine evaporator
 - 5-year parts and 3-year labor coverage on ice machine compressor
 - 3 year parts-and-labor coverage on all other ice machine and dispenser components



ISO 9001
Quality
System
Certified

THE RIGHT CLIMATE FOR LEADERSHIP

**Manitowoc**[®]

ICE CUBE MACHINES • ICE DISPENSERS

Manitowoc QPA-310 Ice Dispenser

Designed for ice bucket filling in hotels, motels, and resorts.

Up to 180 lbs. (82 kgs.) storage capacity.

SERIES 280 (115V)

24-HOUR PRODUCTION								lbs. kgs.
AIR-COOLED UNIT				WATER-COOLED UNIT				
air temp	water temp			air temp	water temp			
°F	50°	70°	90°	°F	50°	70°	90°	
°C	10°	21°	32°	°C	10°	21°	32°	
70°	290	265	250	70°	290	260	235	
21°	132	120	113	21°	132	118	116	
80°	270	245	230	80°	285	255	230	
27°	123	111	104	27°	129	116	104	
90°	250	225	210	90°	280	250	225	
32°	113	102	95	32°	127	113	102	

SERIES 450 (115V)

24-HOUR PRODUCTION								lbs. kgs.
AIR-COOLED UNIT				WATER-COOLED UNIT				
air temp	water temp			air temp	water temp			
°F	50°	70°	90°	°F	50°	70°	90°	
°C	10°	21°	32°	°C	10°	21°	32°	
70°	530	480	440	70°	520	460	420	
21°	241	218	200	21°	236	209	191	
80°	480	430	400	80°	510	450	410	
27°	218	195	182	27°	232	204	186	
90°	430	380	350	90°	500	440	400	
32°	195	173	159	32°	227	200	182	

SERIES 600 (208-230V)

24-HOUR PRODUCTION								lbs. kgs.
AIR-COOLED UNIT				WATER-COOLED UNIT				
air temp	water temp			air temp	water temp			
°F	50°	70°	90°	°F	50°	70°	90°	
°C	10°	21°	32°	°C	10°	21°	32°	
70°	690	640	590	70°	670	610	540	
21°	313	290	268	21°	304	277	245	
80°	640	590	540	80°	660	600	530	
27°	290	268	245	27°	300	272	241	
90°	590	540	500	90°	640	580	520	
32°	268	245	227	32°	291	263	236	

 Certified and Rated in Accordance with ARI Standard 810-95
Test conditions for standard ratings are 90° F air, 70° F water, and 30 ± 3 psig water inlet pressure.

Note: Dispenser will accept single 22" or 30" wide ice machine. Ice machine ordered separately. Choose Dice or Half Dice cube size. Refer to ice machine specification sheet for electrical and complete ARI standard ratings.

Dispenser Electric: 115/60/1. (230/50/1 also available.)

Maximum Circuit Fuse Size: 15.0 amps. HACR-type circuit breakers can be used in place of fuses.

Dispenser Electrical Connection: 6' power cord, rated 125 VAC, 16-3 conductors with standard 3-prong, straight-blade, ground-type plug (NEMA configuration 5-15P).

Motor: 1.6 amps maximum. Permanently lubricated.

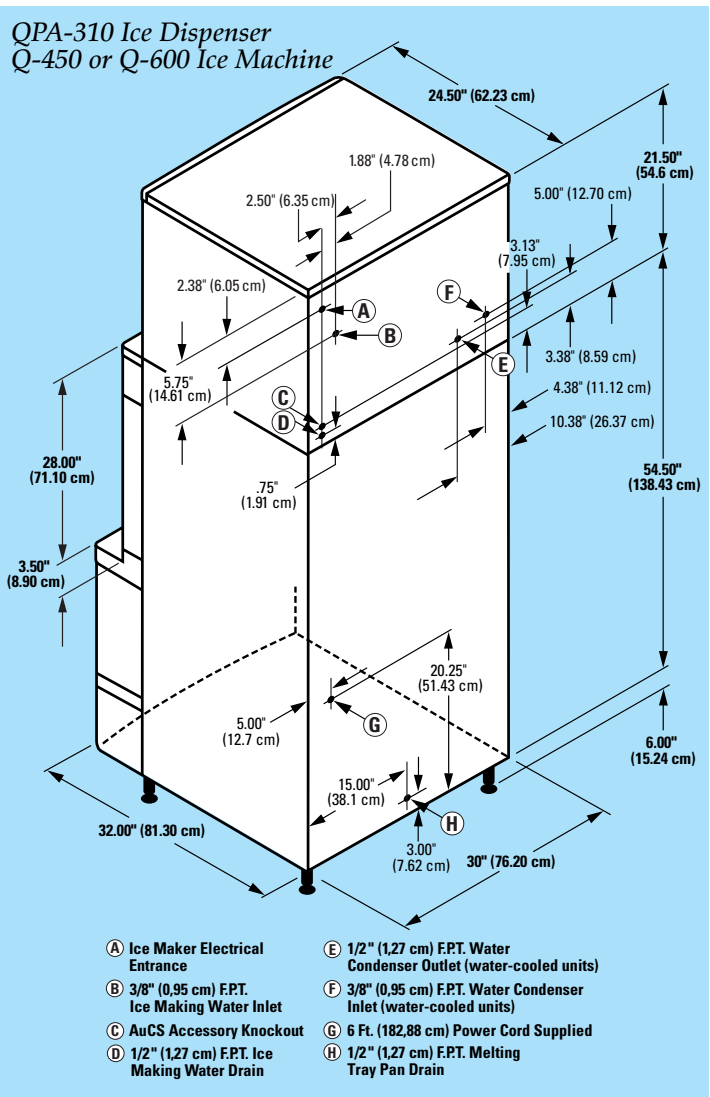
Service Access: Dispenser door removes easily to access components.

Models: QPA-310 push for ice rocking chute, QCA-330 coin-op and QRA-340 room card control available. To field-convert QPA-310 to QRA-340, call factory for information.



THE RIGHT CLIMATE FOR LEADERSHIP

Consult your local Manitowoc Representative:



Installation Note - Dispensers have no minimum clearance, when installing an ice machine/dispenser combination follow the clearance requirements for the ice machine being installed.

2 Cube Sizes Available



Half Dice
3/8" x 1 1/8" x 7/8"
(.95 x 2.86 x 2.22 cm)



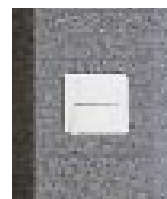
Dice
7/8" x 7/8" x 7/8"
(2.22 x 2.22 x 2.22 cm)

AuCS® Accessory



AuCS®
Automatic
Cleaning
System

Options



Room Card
QRA-340



Coin-Op
QCA-330
25-cent coin
standard. Strong
lockable money
box.

Manitowoc Ice, Inc.
2110 South 26th Street, P.O. Box 1720 • Manitowoc, WI 54221-1720, USA
Ph: 920-682-0161 • Fax: 920-683-7589 • Web Site: www.manitowocice.com

