



LuminIce® II Growth Inhibitor

Factory Built-in Option
(Add "X" to end of Indigo model number)

K-00450 Upgrade Kit
(for Indigo: i-300 to i-1200 and QuietQube i-680C to i-1070C)

K-00451 Upgrade Kit
(for Indigo: i-1400 & i-1800, IB Series, and QuietQube i-1470C to i-2170C)

K-00452 Upgrade Kit
(for NEO: U-Series Undercounter ice machines)



NEW STATUS INDICATORS - Replace bulb, change bulb, normal operation, incorrect lamp.

Standard Features

- **Reduced Yeast and Bacteria Growth** – proven by independent lab testing to inhibit the growth of yeast and bacteria for a cleaner foodzone.
- **Easier Cleaning** – reduced slime build up speeds the regularly scheduled cleaning process.
- **Space Saving Design** - device mounts inside the Indigo Series ice machine preserving space clearances in tight areas.
- **Easy to Use** - no chemicals to add or maintain. Only a simple UV bulb change is recommended once a year to maintain effectiveness. *Note: bulb change reminders can be programmed into the Indigo display or an LED indicator on the unit will provide you with a status.*

*Optional LED Remote Status indicator available (order separately part #K00455)

Warranty

- 3-year warranty covering all parts and labor from the date of original installation (UV bulb is excluded from this warranty).
- UV Bulb replacement part warranty 90 days.

The LuminIce II Growth Inhibitor creates "active air" by recirculating the air inside the ice machine food zone over a UV light. This "active air" passes over exposed food zone components to inhibit the growth of yeast, bacteria, and other common microorganisms.

Foodservice operations can often be in challenging environments where it is difficult to prevent yeast, mold and other micro-organism contamination. With LuminIce II, testing has shown that ice machine foodzones are noticeably cleaner after only 2-1/2 months of usage.



The LuminIce II device runs quietly 24 hours a day keeping your ice machine cleaner and helping to relieve the stress and pain of frequent cleanings. Reduced cleanings ultimately saves labor time, cost, and machine downtime during the cleaning process.

Electric

Electricity drawn directly from ice machine.

Bulb Replacement

To retain maximum effectiveness, annual replacement of the internal UV bulb is recommended. UV bulb shelf life is 3 years from date of manufacture. Use only bulb K-00454 for LuminIce II.

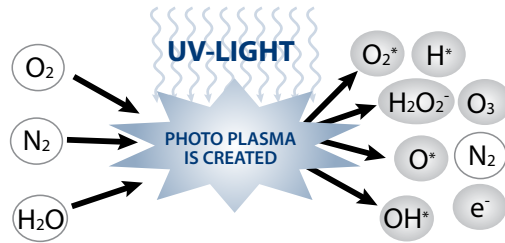




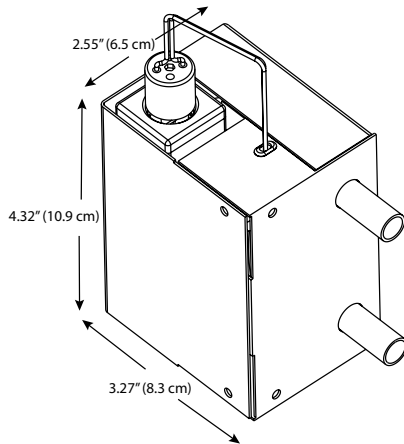
How LuminIce II Works

UV light acts on the oxygen, nitrogen, and water vapor in the air stream passing across the bulb to create photoplasma.

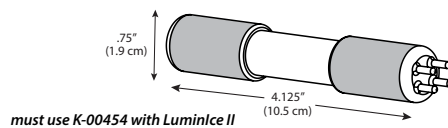
Photoplasma is a gas that is fully ionized by UV light containing ions, free electrons, hydroxyl radicals, and ozone. Each of which is highly reactive with any microorganisms it encounters within the foodzone. This "active air" is continually recirculated within the foodzone inhibiting microorganism growth.



LuminIce II (Internal Mounting)



LuminIce II UV Bulb

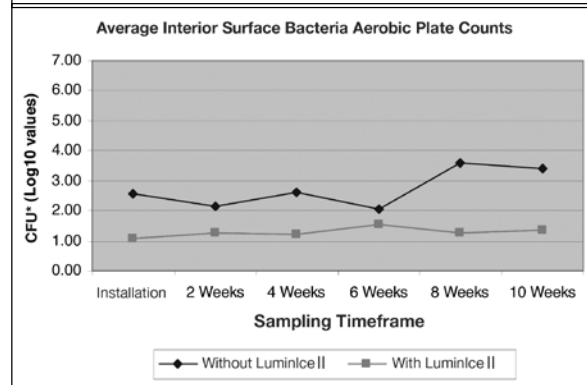
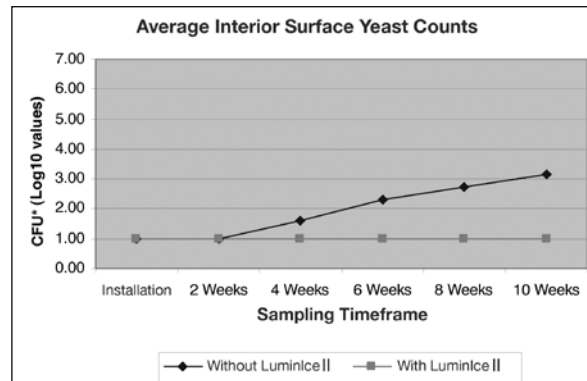


LuminIce II Models / Replacement Bulb

Model	Description
X	Factory Built-In LuminIce II Growth Inhibitor. Comes pre-installed in ice machine. (Add "X" to end of Indigo model number)
K-00450	LuminIce II Growth Inhibitor Kit for Indigo i-300 to i-1200, and QuietQube i-680C to i-1070C.
K-00451	LuminIce II Growth Inhibitor Kit for Indigo IB Series, QuietQube i-1470C, i-1870C, i-2170C and 48" i-1406 and i-1800 models.
K-00452	LuminIce II Growth Inhibitor Kit for U Series (NEO®) Undercounters
K-00454	Replacement LuminIce II Bulb (can only be used with LuminIce II)
K-00455	Remote LuminIce II LED indicator

Cleaner Ice Machine Foodzones

Confirmed by Independent Testing Lab



*Average foodzone Colony Forming Units (CFU's) plotted over time from date of installation.