

iF0600 Ice Cube Machine

Model: IDF-0600A IYF-0600A IDF-0600W IYF-0600W IDF-0600N IYF-0600N



Indigo NXT Series iF0600 Ice Machine on a D570 Bin

Designed for operators who know that ice is critical to their business, the Indigo®NXT Series ice machine's preventative diagnostics continually monitor itself for reliable ice production. Improvements in cleanability and programmability make your ice machine easy to own and less expensive to operate.

- **easyTouch® Display**- New icon based touch screen takes the guess work out of owning and operating an ice machine.
- **Programmable Ice Production** - Now its super easy to program your ice machine to be off at certain times of the day to save money with fluctuating electrical rates. Also programmable by daily ice production volume.
- **Easy to Clean Foodzone** - Hinged front door swings out for easy access. Removable water-trough, distribution tube, curtain, and sensing probes for fast and efficient cleaning. Select components made with AlphaSan® antimicrobial.
- **Intelligent Diagnostics** - provide 24 hour preventative maintenance and diagnostic feedback for trouble free operation.
- **Acoustical Ice Sensing Probe** - Unique patented technology allows for reliable operation in challenging water conditions and environments.
- **DuraTech™ Exterior** - provides superior corrosion resistant above stainless steel. Innovative clear-coat resists fingerprints and dirt making it easier to keep clean.
- **Available LuminIce II Growth Inhibitor**- Controls the growth of bacteria and yeast with the food zone keep the machine cleaner longer. A new indicator in the display keeps you abreast of the operational status.

Ice Machine Electric

208-230/60/1 standard.
(230/50/1 also available)

Minimum circuit ampacity: Maximum fuse size:

Air Cooled: 11.1
Water Cooled: 10.7
Remote: 11.7

Air Cooled: 15
Water Cooled: 15
Remote: 15



Specifications

BTU Per Hour:

11,800 (average)
13,700 (peak)

Refrigerant:

R-404A CFC-free

Operating Limits:

- Ambient Temperature Range: 40° to 119° F (4.4 to 43.3 C)
Water Temperature Range: 40° to 90° F (4.4 to 32.2 C)
- Water Pressure Ice Maker
Water In:
Min. 20 psi (137.9 kPa)
Max. 80 psi (551.1 kPa)

Ice Shape



Half Dice
3/8" x 1 1/8" x 7/8"
(.95 x 2.86 x 2.22 cm)



Dice
7/8" x 7/8" x 7/8"
(2.22 x 2.22 x 2.22 cm)

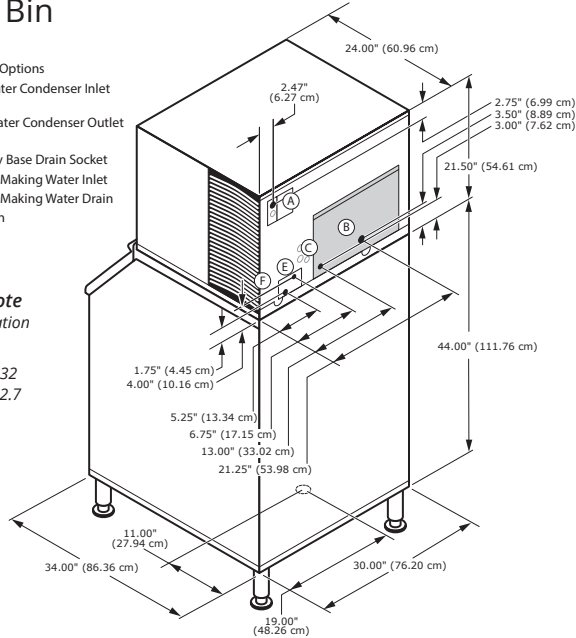


QUALITY MANAGEMENT SYSTEM
CERTIFIED BY DNV
ISO 9001:2008



iF-600 on D-570 Storage Bin

- Ⓐ Electrical Entrance (2) Options
- Ⓑ 3/8" (0.95 cm) F.P.T. Water Condenser Inlet (water-cooled units)
- Ⓒ 1/2" (1.27 cm) F.P.T. Water Condenser Outlet (water-cooled units)
- Ⓓ 1/2" (1.27 cm) Auxiliary Base Drain Socket
- Ⓔ 3/8" (0.95 cm) F.P.T. Ice Making Water Inlet
- Ⓕ 1/2" (1.27 cm) F.P.T. Ice Making Water Drain
- Ⓖ 3/4" (1.91 cm) Bin Drain



Installation Note
Minimum installation clearance:

Top/sides: 8" (20.32 cm); Back is 5" (12.7 cm)

Space-Saving Designs



	iF-600 D-400	iF-600 D-570
Height	59.50" 151.13 cm	71.50" 181.61 cm
Width	30.00" 76.20 cm	30.00" 76.20 cm
Depth	34.00" 86.30 cm	34.00" 86.30 cm
Bin Storage	365 lbs. 165.7 kgs	543 lbs. 241.1 kgs

Height includes adjustable bin legs 6.00" to 8.00", (15.24 to 20.32 cm) set at 6.00" (15.24 cm). Bin capacity is based on 90% of the volume x 33 lbs/ft³ average density of ice

Specifications

	Model	Ice Shape	Ice Production 24 Hours		Power Usage kWh/100 lbs. @90°Air/70°F 1 Ph	Potable Water Usage/100 lbs. 45.4 kgs of Ice
			70°Air/ 50°F Water 21° Air/10°C Water	90°Air/ 70°F Water 32° Air/21°C Water		
AIR-COOLED	IDF-0600A	dice	632 lbs.	490 lbs.	5.41	20.0 Gal. 75.7 L
			287 kgs	222 kgs		
AIR-COOLED	IYF-0600A	half-dice	635 lbs.	555 lbs.	5.29	20.0 Gal. 75.7 L
			288 kgs	252 kgs		
WATER-COOLED	IDF-0600W	dice	661 lbs.	575 lbs.	4.44	20.0 Gal. 75.7 L
			300 kgs	261 kgs		
WATER-COOLED	IYF-0600W	half-dice	700 lbs.	580 lbs.	4.45	20.0 Gal. 75.7 L
			318 kgs	263 kgs		
* Water-cooled Condenser Water Usage / 100 lbs. /45.4 kgs Of Ice: 140 gal./ 530 L. * Water-cooled models are excluded from ENERGY STAR qualification.						
REMOTE-COOLED	IDF-0600N	dice	612 lbs.	535 lbs.	5.85	20.0 Gal. 75.70 L
			278 kgs	243 kgs		
REMOTE-COOLED	IYF-0600N	half-dice	642 lbs.	565 lbs.	5.76	20.0 Gal. 75.7 L
			291 kgs	256 kgs		

Order ice storage bin separately. Ice storage bin and JC-0895 remote condenser must be ordered separately. Consult remote condenser specification sheet for details.

Accessories

LuminIce® II Growth Inhibitor
reduces yeast and bacteria growth for a cleaner ice machine.



External Scoop holder

Protect the ice scoop with the NSF approved versatile scoop holder.



Arctic Pure® Water Filters

Reduces sediment and chlorine odors for better tasting ice.



iAuCS®
schedules and performs routine ice machine cleaning automatically.

