



M&M Manufacturing Company

www.mmmfg.com

PROPRIETARY INFORMATION
THIS DRAWING AND/OR DATA SHEET, AND THE CONFIDENTIAL PROPRIETARY INFORMATION THEREON, ARE THE PROPERTY OF M&M MANUFACTURING, INC. AND ARE NOT TO BE REPRODUCED OR COPIED IN WHOLE OR IN PART, OR USED FOR UNAUTHORIZED MANUFACTURING OR ANY OTHER EXPLOITATION OF THE ITEM DISCLOSED THEREIN, OR IN ANY OTHER WAY DISCLOSED OR USED FOR FURNISHING INFORMATION.

AUSTIN
(512)-960-2370

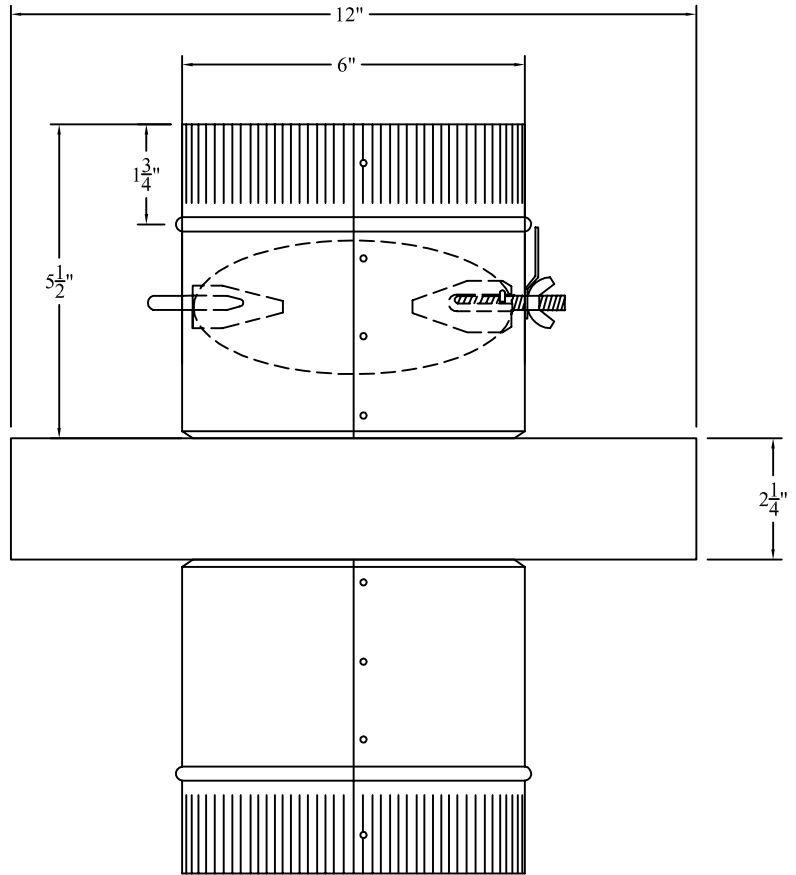
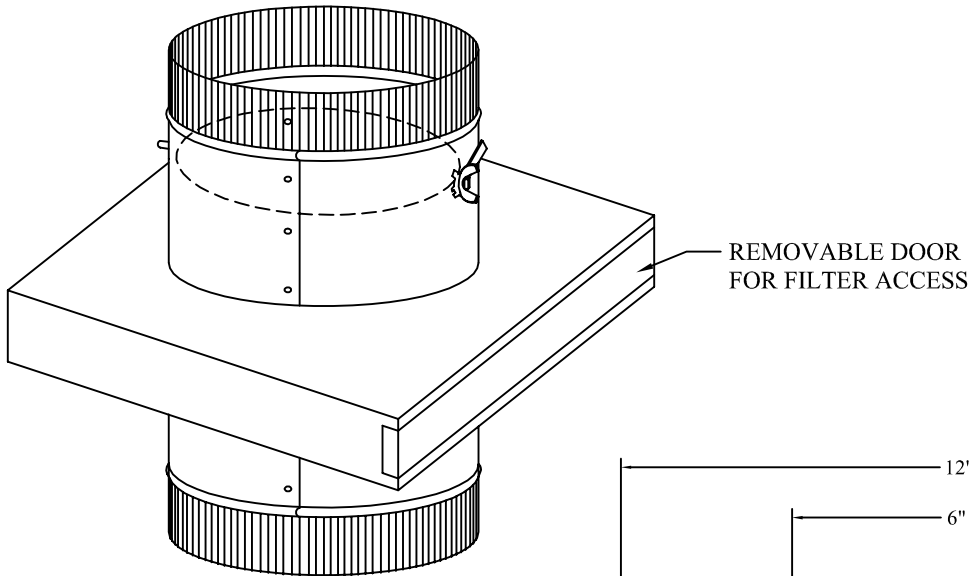
DALLAS
(972)-485-1504

FORT WORTH
(Adolph)
(817)-334-0034

FORT WORTH
(MKIV)
(817)-336-2311

HOUSTON
(713)-690-0585

LITTLE ROCK
(501)-888-3042



PART #: CP-ST1212INLINE **DESCRIPTION:** 12X12 INLINE FILTER W/ 6" COLLARS AND DAMPER

NOTES: Material: 22GA BODY, 30GA COLLARS

ASTM-A653 CS B galvanized steel