



CEILING RADIATION DAMPER

**MODEL:
55 (Round)**



APPLICATION

The CRD-55 is for use in any fire resistive floor or roof/ceiling assembly with a restrained or unrestrained assembly rating of 3 hours or less. This product can also be applied to steel lay-in style ceiling diffusers up to 24" Dia. (610mm) maximum size.

Please consult factory for use in floor/ceiling and roof/ceiling designs.

Standard Construction

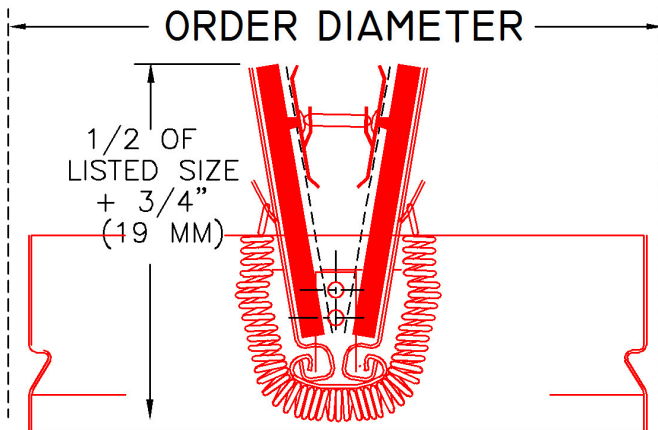
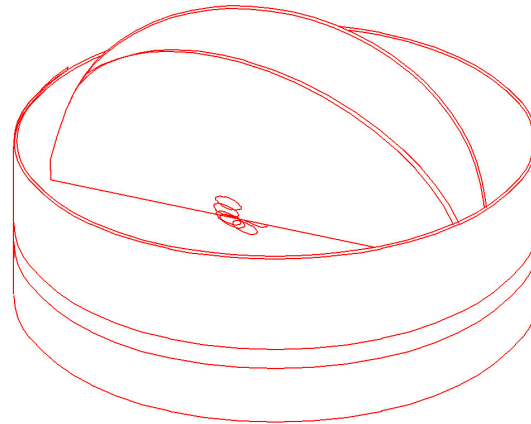
1. UL listed link (165°F or 212°F)
2. Blades 22 (0.853mm) Ga. galvanized steel
3. Ceramic fiber with fiberglass cover*
4. Roll-formed frame 22 (0.853mm) Ga. galvanized steel
5. Steel duct drop (by others).

UL 555C Fire Resistance Rating
Fire resistance rated 3 Hours
Building materials rated 3 Hours

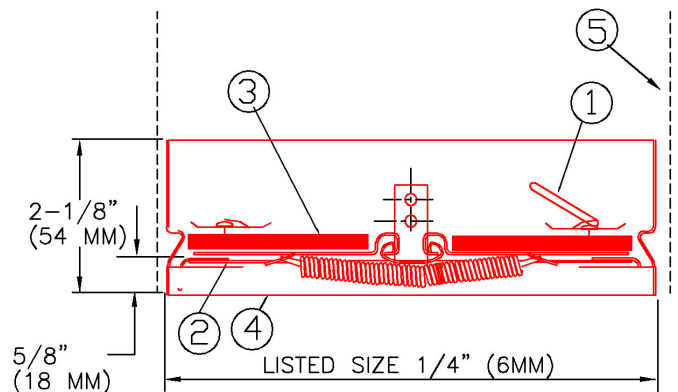
Model CRD 55 meets the requirements for fire dampers established by:
**CSFM California State Fire Marshal
Fire Damper Listing (#3225-1417:101)**

Note:

1. Maximum size 24" Dia. (600mm)
Minimum size 4" Dia. (100mm)
2. Available in stainless steel
3. *Ceramic insulation is not UL required on dampers with areas less than 80 square inches and is optional. Dampers above 80 square inches will be provided with blade insulation.



CRD SHOWN IN OPEN POSITION



CRD SHOWN IN CLOSED POSITION

