

Date: \_\_\_\_\_

For:  File  Resubmit  
 Approval  Other \_\_\_\_\_

PO No.: \_\_\_\_\_

Architect: \_\_\_\_\_

GC: \_\_\_\_\_

Engr: \_\_\_\_\_

Mech: \_\_\_\_\_

Rep: \_\_\_\_\_

(Company)

(Project Manager)

**LVN360HV4**  
**Multi Zone Vertical Air Handling Unit**  
 36,000 Btu/h Indoor Unit



**Performance:**

Cooling (Min~Rated~Max, Btu/h)	14,000 ~ 36,000 ~ 44,000
Heating (Min~Rated~Max, Btu/h)	15,000 ~ 40,000 ~ 47,000

Cooling Nominal Test Conditions: Indoor: 80°F DB/67°F WB Outdoor: 95°F DB/75°F WB  
 Heating Nominal Test Conditions: Indoor: 70°F DB/60°F WB Outdoor: 47°F DB/43°F WB

**Electrical:**

Power Supply (V <sup>1</sup> /Hz/Ø)	208-230 / 60 / 1
Rated Amps (A)	2.2

**Piping:**

Installed Liquid Pipe (in., O.D.)	3/8
Installed Vapor Pipe (in., O.D.)	5/8
Liquid Connection (in., O.D.)	3/8
Vapor Connection (in., O.D.)	5/8
Drain (In, ID)	3/4 FPT
Temperature Sensor	Thermistor

**Features:**

- ESP control
- Hot start
- Self diagnostics
- Soft dry (dehumidification)
- Weekly schedule
- Inverter (variable speed fan)
- Group control
- Sleep mode
- Timer (on/off)
- Integrated dry contact for 3rd party thermostat

**Optional Accessories (sold separately)**

- Simple Controller - PREMTC00U
- MultiSITE™ CRC1 Remote Controller - PREMTBVC0
- MultiSITE™ CRC1+ Remote Controller - PREMTBVC1
- Premium Remote Controller - PREMTA000
- Wireless Handheld Remote Controller - PQWRHQ0FDB<sup>2</sup>
- AC Smart 5 - PACS5A000
- ACP 5 - PACP5A000
- LonWorks Gateway - PLNWKB100
- AC Smart IV BACnet - PBACNA000
- ACP IV BACnet Gateway - PQNFB17C2
- Dry Contact Unit (1 contact, 24 VAC external power) - PDRYCB100
- Dry Contact Unit (2 setpoint) - PDRYCB400
- Dry Contact Unit for third party thermostat - PDRYCB300
- Remote Button Temperature Sensor - ZRTBS01
- 3 kW Electric Heater - ANEH033B1<sup>14</sup>
- Wi-Fi Module - PWFMD200
- Downflow Kit - PNDFK0

For a complete list of available accessories, contact your LG representative.

For continual product development, LG reserves the right to change specifications without notice.

© LG Electronics U.S.A., Inc., Englewood Cliffs, NJ. All rights reserved. "LG Life's Good" is a registered trademark of LG Corp. /www.lghvac.com

**Operating Range:**

Cooling (°F WB)	57-77
Heating (°F DB)	59-81

**Unit Data:**

Refrigerant Type	R410A
Refrigerant Control	EEV
Sound Pressure <sup>3</sup> H/M/L (±3 dB(A))	45/44/43
Net Unit Weight (lbs)	165
Shipping Weight (lbs)	188

**Fan:**

Type	Sirocco
Quantity	1
Motor/Drive	Brushless Digitally Controlled/Direct
Airflow Rate H/M/L (CFM)	1,100 / 1,000 / 900
External Static Pressure <sup>4, 5</sup> (in wg)	
Minimum ESP/Fan Setting Value <sup>6</sup>	0.1/57
Maximum ESP/Fan Setting Value <sup>6</sup>	1.0/116

**Standard Features:**

- Filter Rack for Field Supplied Air Filter
  - 24 x 20 x 1 inch

**Notes:**

1. Acceptable operating voltage is 187V-253V.
2. Requires an LG wired thermostat.
3. Sound Pressure levels are tested in an anechoic chamber under ISO Standard 1996.
4. Adjust fan speed to correct for static pressure increases when using field supplied air filter.
5. At factory fan speed setting.
6. Air flow rate (CFM) at high speed.
7. See Engineering Manual for sensible and latent capacities.
8. All power/communication cable to be minimum 18 AWG, 4-conductor, stranded, shielded or unshielded, and must comply with applicable local and national code. If shielded, must be grounded to the chassis at ODU only.
9. Power wiring cable size must comply with the applicable local and national codes.
10. This unit comes with a dry helium charge.
11. Corresponding refrigerant piping length is in accordance with standard length of each outdoor unit and the level difference is 0 ft. All capacities are net with a combination ratio between 95 – 105%.
12. Must follow installation instructions in the applicable LG installation manual.
13. Includes socket adapters for refrigerant pipe connections.
14. Electric heater accessory available in 3kW, 5kW, 8kW, 10kW, 15kW, and 20kW capacities. Refer to the engineering manual for details.
15. Controller not included.



**LVN360HV4**  
Multi Zone Vertical Air Handling Unit  
36,000 Btu/h Indoor Unit



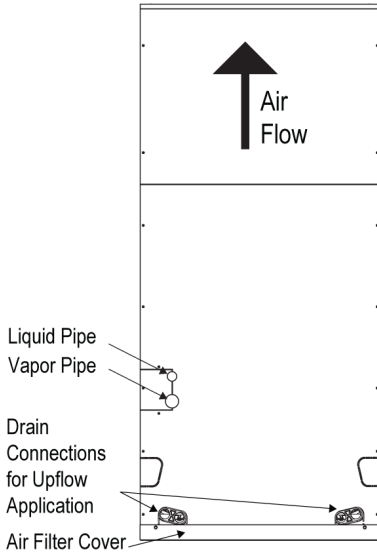
Tag #:

Date:

PO No.:

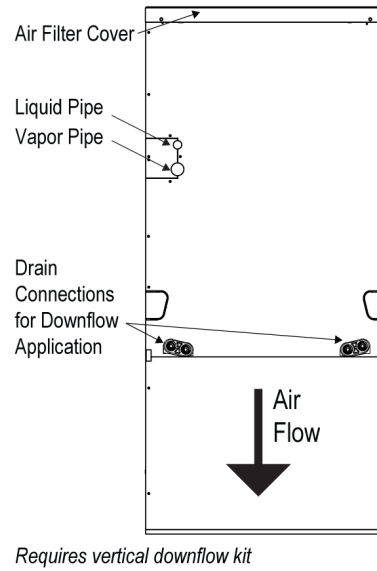
### Factory Configurations

#### Vertical Upflow

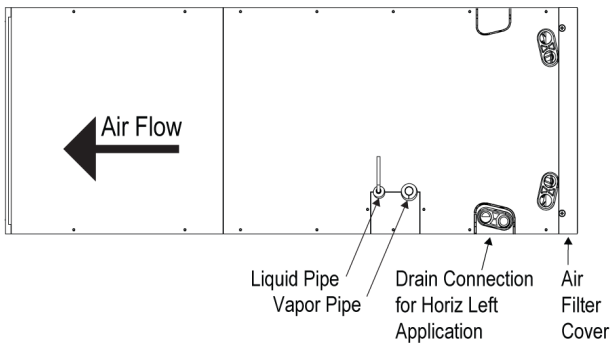


### Field Configurations

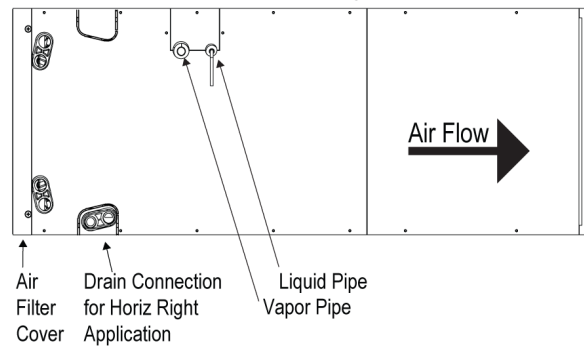
#### Vertical Downflow



#### Horizontal Left



#### Horizontal Right



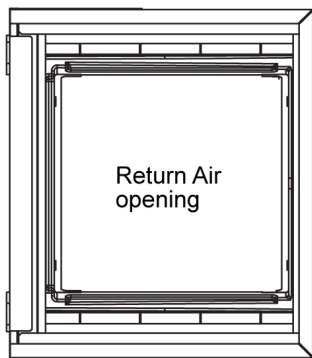
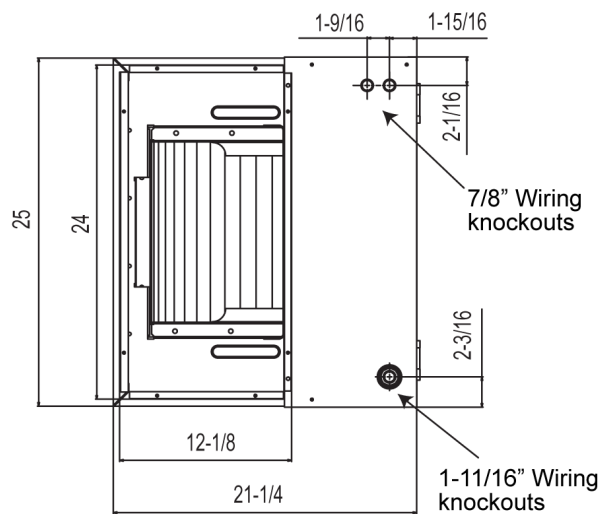
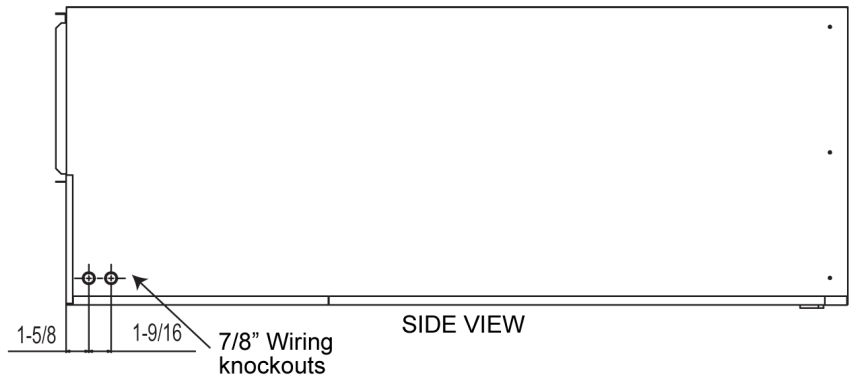
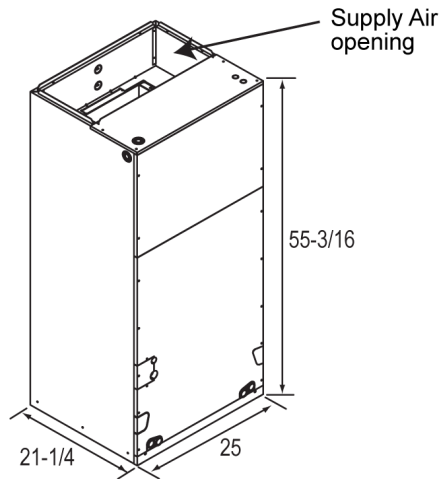
Job Name/Location:

**LVN360HV4**  
Multi Zone Vertical Air Handling Unit  
36,000 Btu/h Indoor Unit

Tag #: \_\_\_\_\_

Date: \_\_\_\_\_

PO No.: \_\_\_\_\_



Unit: inches  
Note: All measurements have a tolerance of  $\pm 1/4$  in.

