

Job Name/Location:

Tag #:

Date:

For: File Resubmit

PO No.:

Approval Other _____

Architect:

GC:

Engr:

Mech:

Rep:

(Company)

(Project Manager)

LP096HD3B

Packaged Terminal Air Conditioner (PTAC)

265V Heat Pump



SPECIFICATIONS	Unit	
	Model	LP096HD3B
Power Supply	V/Hz/Ph	265/60/1
Operating Range: Heating/Cooling	°F	-4-75 / 54-115
Cooling Capacity	Btu/h	9,700
Heating Capacity	Btu/h	8,500
EER	Btu/h.W	12.8
COP	W/W	3.6
Weight (Net/Shipping)	lbs	106/120
Dimensions: W x H x D	in	42 x 16 x 21
Sound Pressure Max (IDU/ODU)	dBA	46/61
Indoor Air Circulation Max (H/L)	CFM	270/225
Outside Air Intake (Manual Damper)	CFM	60
Dehumidification	pts/hr	2.6

ELECTRICAL		
Power Supply	V/Hz/Ph	265/60/1
Electric Heater	kW	3.7
MCA	A	17.9
MOP	A	20
Cooling Rated Amps	A	3.0
Heating Rated Amps	A	2.7
Cooling Power Input	W	755
Heating Power input	W	690

1: EER - Energy Efficiency Ratio

2: COP - Coefficient of Performance

3: IDU - Indoor Unit

4: ODU - Outdoor Unit

5: MOP - Maximum Overcurrent Protection

6: MCA - Minimum Circuit Ampacity

Standard Features:

- Auto restart
- Digital control display
- Dip switch setting for temperature limiting
- Energy saver mode
- Freeze room protection
- GoldFin™ anti-corrosion treatment for condenser
- High energy efficiency
- Temperature display on unit
- Ultra-quiet operation
- Power cord included

Optional Accessories:

- See page 3

Job Name/Location:

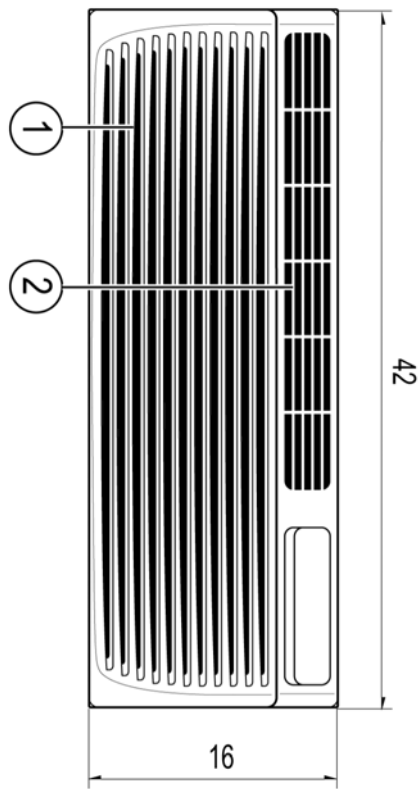
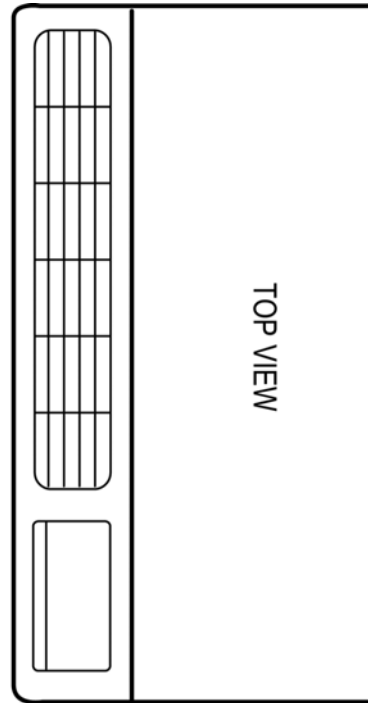
LP096HD3B
Packaged Terminal Air Conditioner (PTAC)
265V Heat Pump



Tag #:

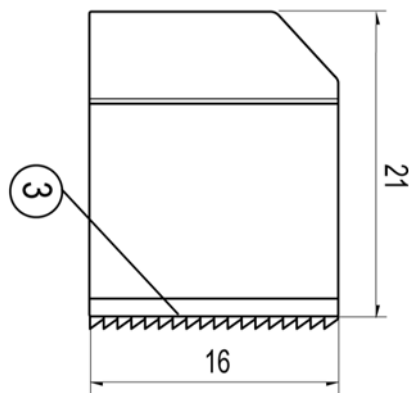
Date:

PO No.:



Unit: Inch

Item No.	Part name	Remark
1	Inlet Grille	
2	Vertical Air Deflector	
3	Architectural Grille	



Notes:

1. The unit should not be installed in a closed area.
2. In an area or space having no proper circulation, an air guide should be installed on the outdoor side.

LP096HD3B

Packaged Terminal Air Conditioner (PTAC)
265V Heat Pump



Tag #:

Date:

PO No.:



AYWH110



PYRCUCA0B / PYRCUCC1HB

OPTIONAL ACCESSORIES:

TYPE	MODEL#	NAME
Control	<input type="checkbox"/> AYWH110	Wired Wall Thermostat Connection Kit (1 included with every PTAC)
	<input type="checkbox"/> PYRCUCA0B	Digital Wired Wall Thermostat
	<input type="checkbox"/> PYRCUCC1HB	Digital Wireless Wall Thermostat



TYPE	MODEL#	NAME
Indoor	<input type="checkbox"/> AYAD101	Air Deflector
	<input type="checkbox"/> AYCP101	Control Panel Key Lock
	<input type="checkbox"/> AYFT110	Replacement Filters (10-pack)
	<input type="checkbox"/> AYHW101	Hardwire Kit
	<input type="checkbox"/> AYLD1A	Lateral Duct Kit
	<input type="checkbox"/> AYLL101B	Leveling Legs (set of 2)
	<input type="checkbox"/> AYRE110	Remote Escutcheon Kit (10-Pack)
	<input type="checkbox"/> AYSB2201B	Sub-Base (265V, 20A, without Disconnect Switch)
	<input type="checkbox"/> AYSB220DS	Sub-Base (265V, 20A, with Disconnect Switch)
	<input type="checkbox"/> AYDSW220B	Disconnect Switch (265V, 20A)
	<input type="checkbox"/> AYSB5101	Protective Sub-Base Panel
	<input type="checkbox"/> AYSB6101	Non-electrical Sub-Base



TYPE	MODEL#	NAME
Outdoor	<input type="checkbox"/> AYAGALA01A	Aluminum Grille - Clear
	<input type="checkbox"/> AYAGALB01A	Aluminum Grille - Bronze
	<input type="checkbox"/> AYAGALC01A	Aluminum Grille - Soft Dove
	<input type="checkbox"/> AYAGPLB01	Polymer Grille - Dark Bronze
	<input type="checkbox"/> AYAGPLC01	Polymer Grille - Soft Dove
	<input type="checkbox"/> AYAGPLD01	Polymer Grille - White
	<input type="checkbox"/> AYDR101B	Condensate Drain Kit
	<input type="checkbox"/> AYFDSV01A	Four-piece Insulated Snap Together Wall Sleeve
	<input type="checkbox"/> AYRGALA01	Aluminum Grille - Stamped
	<input type="checkbox"/> AYSVB01A	Wall Sleeve - Single
	<input type="checkbox"/> AYSV018B	Wall Sleeve - Snap On (18")
	<input type="checkbox"/> AYSV024B	Wall Sleeve - Snap On (24")
	<input type="checkbox"/> AYSVKITB	Wall Sleeve Extension Kit (2")