

Job Name/Location:

Tag #:

Date:

For: File Resubmit
 Approval Other _____

PO No.:

Architect:

GC:

Engr:

Mech:

Rep:

(Company)

(Project Manager)

LP093HDUC1

Packaged Terminal Air Conditioner (PTAC)

208-230V Heat Pump



| SPECIFICATIONS | | Unit | LP093HDUC1 | |
|------------------------------------|---------------|------------|----------------|--------------|
| Power Supply | | V/Hz/Φ | 208/60/1 | 230/60/1 |
| Operating Range: Heating/Cooling | | °F | -4-75 / 54-115 | |
| Cooling Capacity | | Btu/h | 10,000 | 10,200 |
| Heating Capacity | | Btu/h | 8,600 | 8,800 |
| Electric Heater Capacity | with 15A cord | Btu/h (kW) | 7,800 (2.3) | 8,100 (2.4) |
| | with 20A cord | Btu/h (kW) | 10,900 (3.2) | 11,200 (3.3) |
| | with 30A cord | Btu/h (kW) | 15,700 (4.6) | 16,000 (4.7) |
| EER | | Btu/h.W | 12.4 | |
| COP | | W/W | 3.5 | |
| Weight: Net/Shipping | | lbs | 104/118 | |
| Dimensions: W x H x D | | in | 42 x 16 x 21 | |
| Sound Pressure Max: IDU/ODU | | dB(A) | 46/61 | |
| Indoor Air Flow Max (H/L) | | CFM | 270/225 | |
| Outside Air Intake (Manual Damper) | | CFM | 60 | |
| Dehumidification | | pts/hr | 2.6 | |

| ELECTRICAL | | | | |
|---------------------|---------------|--------|----------|----------|
| Power Supply | | V/Hz/Φ | 208/60/1 | 230/60/1 |
| MCA | with 15A cord | A | 14.5 | 13.6 |
| | with 20A cord | A | 19.8 | 18.6 |
| | with 30A cord | A | 28.3 | 26.2 |
| MOP | with 15A cord | A | 15 | |
| | with 20A cord | A | 20 | |
| | with 30A cord | A | 30 | |
| Cooling Rated Amps | | A | 4.0 | 3.7 |
| Heating Rated Amps | | A | 3.5 | 3.2 |
| Cooling Power Input | | W | 800 | 820 |
| Heating Power input | | W | 720 | 735 |

- 1: EER - Energy Efficiency Ratio
- 2: COP - Coefficient of Performance
- 3: IDU - Indoor Unit
- 4: ODU - Outdoor Unit
- 5: MOP - Maximum Overcurrent Protection
- 6: MCA - Minimum Circuit Ampacity

Standard Features:

- Auto restart
- Digital control display
- Dip switch setting for temperature limiting
- Energy saver mode
- Freeze room protection
- GoldFin™ anti-corrosion treatment for condenser
- High energy efficiency
- Temperature display on unit
- Ultra-quiet operation
- Refrigerant: R410A

Required Accessories:

- Choose one of these three power cords (208-230V units only):

- AYUH2115 - 15A - 2.3/2.4 kW
- AYUH2120 - 20A - 3.2/3.3 kW
- AYUH2130 - 30A - 4.6/4.7 kW

Optional Accessories:

- See page 3

Job Name/Location:

LP093HDUC1

Packaged Terminal Air Conditioner (PTAC)

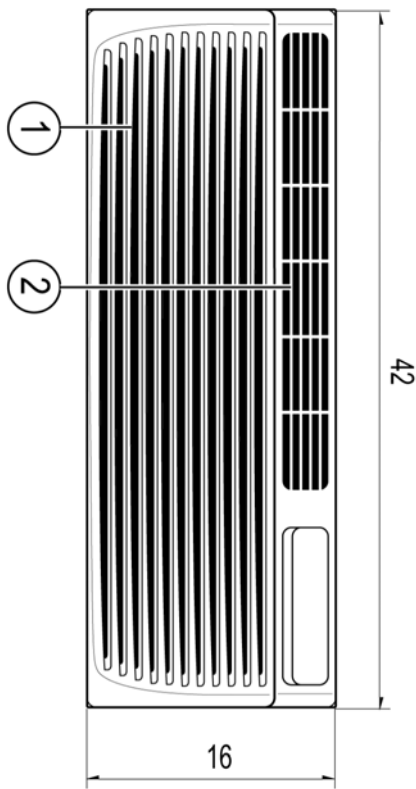
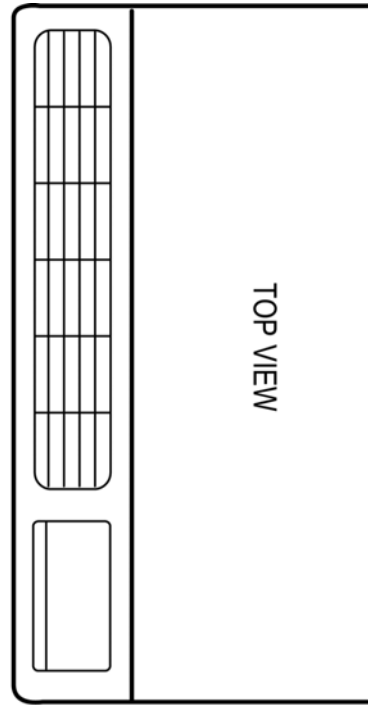
208-230V Heat Pump



Tag #:

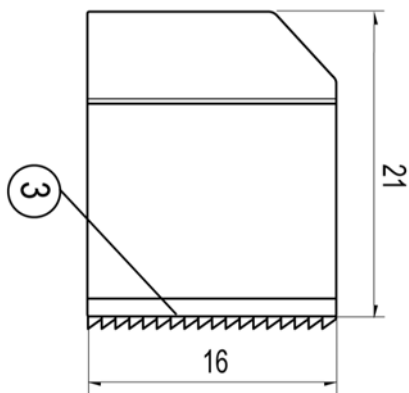
Date:

PO No.:



Unit: Inch

| Item No. | Part name | Remark |
|----------|------------------------|--------|
| 1 | Inlet Grille | |
| 2 | Vertical Air Deflector | |
| 3 | Architectural Grille | |



Notes:

1. The unit should not be installed in a closed area.
2. In an area or space having no proper circulation, an air guide should be installed on the outdoor side.

LP093HDUC1

Packaged Terminal Air Conditioner (PTAC)

208-230V Heat Pump



Tag #:

Date:

PO No.:



AYWH110



PYRCUCA0B / PYRCUCC1HB

OPTIONAL ACCESSORIES:

| TYPE | MODEL# | NAME |
|---------|-------------------------------------|--------------------------------------|
| Control | <input type="checkbox"/> AYWH110 | Wired Wall Thermostat Connection Kit |
| | <input type="checkbox"/> PYRCUCA0B | Digital Wired Wall Thermostat |
| | <input type="checkbox"/> PYRCUCC1HB | Digital Wireless Wall Thermostat |



AYAD101



AYCP101



AYFT110



AYLD1A



AYLL101B



AYRE110



AYSBS1201B/AYSB1301B
AYSB5101/AYSB6101

| TYPE | MODEL# | NAME |
|-----------------------------------|-------------------------------------|--|
| Indoor | <input type="checkbox"/> AYAD101 | Air Deflector |
| | <input type="checkbox"/> AYCP101 | Control Panel Key Lock |
| | <input type="checkbox"/> AYFT110 | Replacement Filters (10-pack) |
| | <input type="checkbox"/> AYLD1A | Lateral Duct Kit |
| | <input type="checkbox"/> AYLL101B | Leveling Legs (set of 2) |
| | <input type="checkbox"/> AYRE110 | Remote Escutcheon Kit (10-Pack) |
| | <input type="checkbox"/> AYSB1201B | Sub-Base (208/230V, 15-20A, without disconnect switch) |
| | <input type="checkbox"/> AYSB1301B | Sub-Base (208/230V, 30A, without disconnect switch) |
| | <input type="checkbox"/> AYDSW1201B | Disconnect Switch - 208/230V 20A |
| | <input type="checkbox"/> AYDSW1301B | Disconnect Switch - 208/230V 30A |
| | <input type="checkbox"/> AYSB5101 | Protective Sub-Base Panel |
| <input type="checkbox"/> AYSB6101 | Non-electrical Sub-Base | |



AYAGALA01A/AYAGALB01A/AYAGALC01A



AYAGPLB01/AYAGPLC01/AYAGPLD01



AYDR101B



AYFDSV01A



AYRGALA01



AYSVB01A

| TYPE | MODEL# | NAME |
|---------|-------------------------------------|--|
| Outdoor | <input type="checkbox"/> AYAGALA01A | Aluminum Grille - Clear |
| | <input type="checkbox"/> AYAGALB01A | Aluminum Grille - Bronze |
| | <input type="checkbox"/> AYAGALC01A | Aluminum Grille - Soft Dove |
| | <input type="checkbox"/> AYAGPLB01 | Polymer Grille - Dark Bronze |
| | <input type="checkbox"/> AYAGPLC01 | Polymer Grille - Soft Dove |
| | <input type="checkbox"/> AYAGPLD01 | Polymer Grille - White |
| | <input type="checkbox"/> AYDR101B | Condensate Drain Kit |
| | <input type="checkbox"/> AYFDSV01A | Four-piece Insulated Snap Together Wall Sleeve |
| | <input type="checkbox"/> AYRGALA01 | Aluminum Grille - Stamped |
| | <input type="checkbox"/> AYSVB01A | Wall Sleeve - Single |
| | <input type="checkbox"/> AYSV018B | Wall Sleeve - Snap On (18") |
| | <input type="checkbox"/> AYSV024B | Wall Sleeve - Snap On (24") |
| | <input type="checkbox"/> AYSVKITB | Wall Sleeve Extension Kit (2") |

REQUIRED ACCESSORY FOR 208-230V PTAC (choose one power cord):

| TYPE | MODEL# | NAME |
|------------|-----------------------------------|--|
| Power Cord | <input type="checkbox"/> AYUH2115 | Power Cord with plug 15A (with universal heater) |
| | <input type="checkbox"/> AYUH2120 | Power Cord with plug 20A (with universal heater) |
| | <input type="checkbox"/> AYUH2130 | Power Cord with plug 30A (with universal heater) |



AYUH2115



AYUH2120



AYUH2130